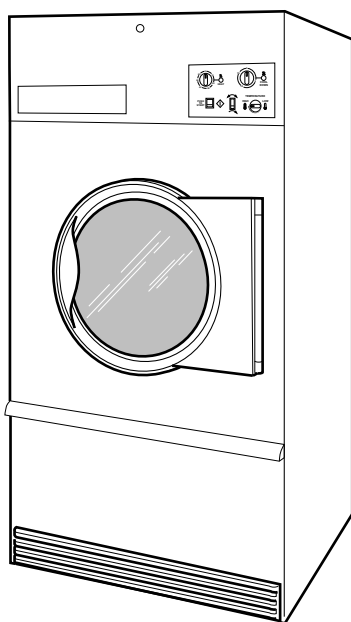


# Drying Tumblers

50 Pound Capacity

Models Starting Serial No. 0904004427

Refer to Page 5 for Model Numbers



TMB795C\_70421801



# Table of Contents

Title	Page
Parts Ordering Information.....	3
Serial Plate Location .....	3
Model Identification .....	5
Product Overview - Heat Source and Voltage .....	6
Product Overview - Control Suffixes (Drawing 1 of 3).....	8
Product Overview - Control Suffixes (Drawing 2 of 3).....	10
Product Overview - Control Suffixes (Drawing 3 of 3).....	12
Control Box .....	14
Fire Suppression System Control Box .....	16
Single Drop Controls .....	18
Dual Digital Timer Controls .....	20
DMP Control .....	22
DX4 Electronic Control.....	24
OPL Microprocessor Controls.....	26
Coin Drop Components for MDC Models.....	28
Coin Drop - Wire Harnesses for MDC Models .....	30
Central Pay and Card Reader MDC Models .....	32
Optional Card Reader Mountings for MDC Models.....	34
Coin Drops .....	36
Coin Drop Kits.....	38
Coin Drop Components for Quantum Control.....	40
Card Reader Components for Quantum Control .....	42
Network Board for Quantum Control.....	44
Network Connection for Quantum.....	46
Coin Drop Components for Galaxy 600 Control .....	48
Card Reader Components for Galaxy 600 Control .....	50
UniLinc Control .....	52
LED OPL Control .....	54
Emergency Stop Button - CE Models .....	56
Cabinet Front Components .....	58
Cabinet Panels and Nameplates .....	60
Front Panel Assemblies .....	62
Lint Panel Switch Assembly .....	64
Lower Cabinet Front Components .....	66
Cabinet Limit and Thermistor Assembly .....	68
Cabinet Components .....	70
Door Components.....	72
Hinge Components .....	74
Cylinder and Trunnion Components .....	76
Bearing Components .....	78
Reversing Cylinder Drive Motor and Components.....	80

© Copyright 2017, Alliance Laundry Systems LLC

All rights reserved. No part of the contents of this book may be reproduced or transmitted in any form or by any means without the expressed written consent of the publisher.

Drive Components for Non-Moisture Sensing Reversing Models Through 1/31/12 .....	82
Drive Components for Moisture Sensing Reversing Models Starting 8/1/11 and Non-Moisture Sensing Reversing Models Starting 2/1/12 .....	84
Drive Components for Nonreversing Models Through 7/31/11 .....	86
Drive Components for Nonreversing Models Starting 8/1/11 .....	88
Idler Housing Assembly for Non-Moisture Sensing Reversing Models Through 1/31/12 .....	90
Idler Assembly for Nonreversing Models Through 7/31/11 .....	92
Moisture Sensing Components .....	94
Fan Components .....	96
Fan Motors .....	98
Gas Heater Components .....	100
Burner Orifices for Non-CE Models .....	102
Electric Heater Components .....	104
Airflow Switch Assembly .....	106
Steam Heater and Valve .....	108
Rotation Sensor .....	110
Duct and Damper Assembly .....	112
Rear Panel Assembly .....	114
Control Tray Wrap Components .....	116
Control Tray Fuses .....	118
Control Tray Harnesses for Gas and Steam Models .....	120
Control Tray Components for Gas Models .....	122
Control Tray Components for Steam Models .....	124
Control Tray Harnesses for Electric Models .....	126
Control Tray Components for Non-CE Electric Models .....	128
Control Tray Components for CE Electric Models .....	130
Parts Index .....	133

## Parts Ordering Information

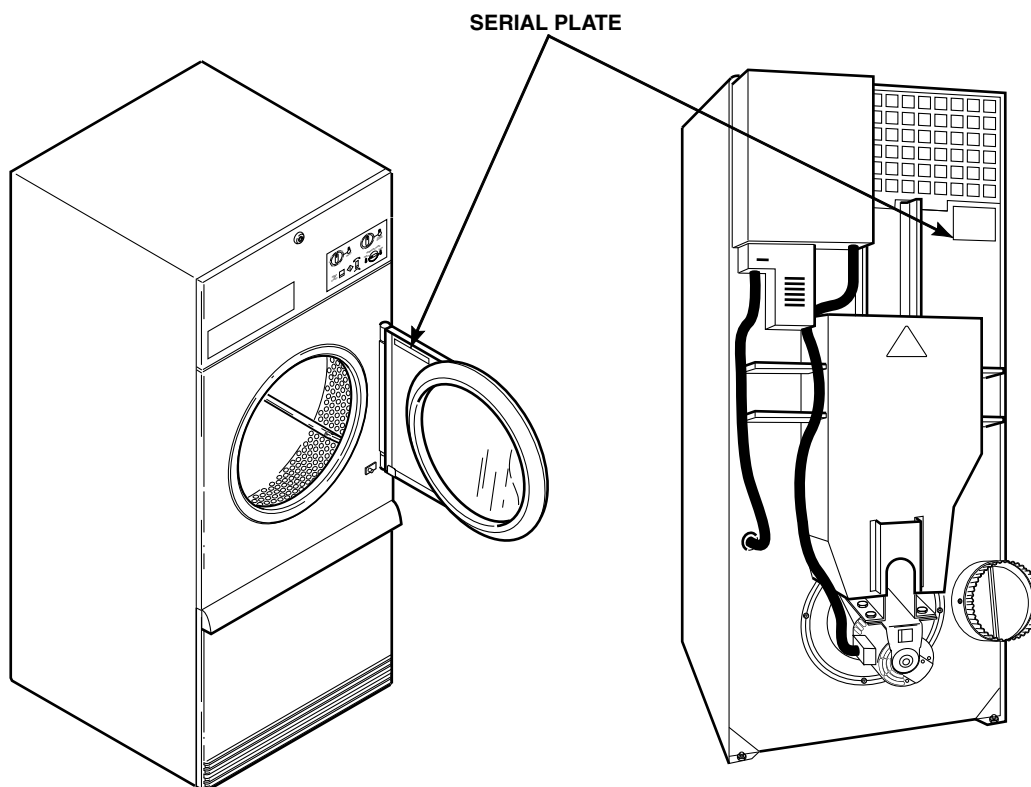
If literature or replacement parts are required, contact the source from whom the machine was purchased or contact Alliance Laundry Systems at (920) 748-3950 for the name and address of the nearest authorized parts distributor.

For technical assistance, call the number listed below:

(920) 748-3121 Ripon, Wisconsin

## Serial Plate Location

When calling or writing about your product, be sure to mention model and serial numbers. Model and serial numbers are located on serial plate(s) as shown.



TMB2235N\_70421801

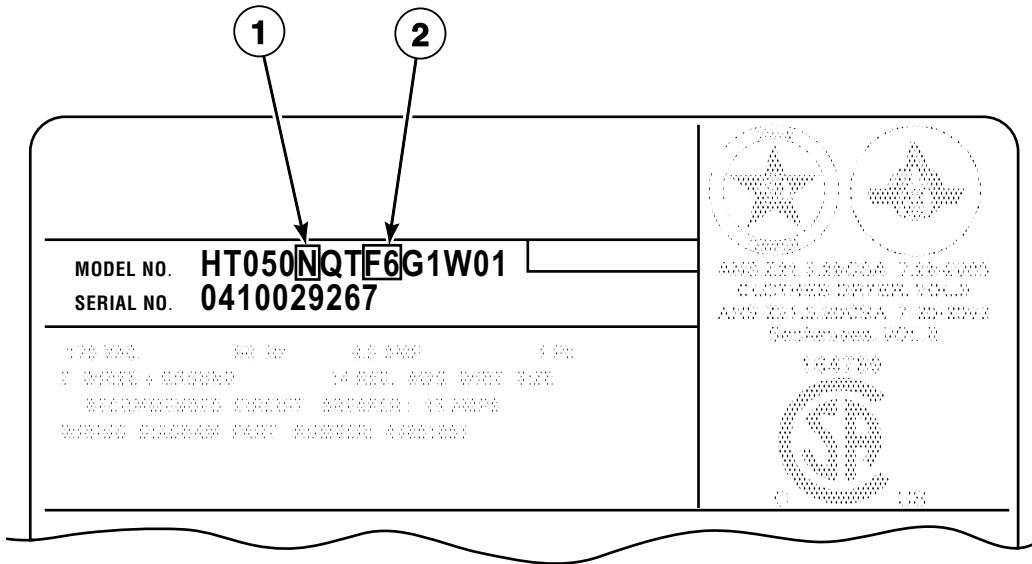


## Model Identification

Information in this manual is applicable to these tumbler models:

BA050L	GA050L	KA050L	PA050L	UA050L
BA050N	GA050N	KA050N	PA050N	UA050N
BH050E	GH050E	KK050N	PH050E	UH050E
BH050L	GH050L	KT050E	PH050L	UH050L
BH050N	GH050N	KT050L	PH050N	UH050N
BH050S	GH050S	KT050N	PH050S	UH050S
BK050N	GK050N	KT050S	PK050N	UK050N
BT050D	GT050E	KT050T	PT050E	UT050E
BT050E	GT050L	KU050E	PT050L	UT050L
BT050L	GT050N	KU050L	PT050N	UT050N
BT050N	GT050S	KU050N	PT050S	UT050S
BT050S	GT050T	KU050S	PT050T	UT050T
BT050T	GU050E	KU050T	PU050E	UU050E
BU050E	GU050L	LA050L	PU050L	UU050L
BU050L	GU050N	LA050N	PU050N	UU050N
BU050N	GU050S	LK050N	PU050S	UU050S
BU050S	GU050T	LT050E	PU050T	UU050T
BU050T	HA050L	LT050L	SA050L	YT050E
CA050L	HA050N	LT050N	SA050N	YT050L
CA050N	HH050E	LT050S	SH050E	YT050N
CK050N	HH050L	LT050T	SH050L	YT050S
CT050E	HH050N	LU050E	SH050N	YT050T
CT050L	HH050S	LU050L	SH050S	YU050E
CT050N	HK050N	LU050N	SK050N	YU050L
CT050S	HT050D	LU050S	ST050D	YU050N
CT050T	HT050E	LU050T	ST050E	YU050S
CU050E	HT050L	MT050D	ST050L	YU050T
CU050L	HT050N	MT050E	ST050N	
CU050N	HT050S	MT050L	ST050S	
CU050S	HT050T	MT050N	ST050T	
CU050T	HU050E	MT050S	SU050E	
	HU050L	MT050T	SU050L	
	HU050N	NH050E	SU050N	
	HU050S	NH050L	SU050S	
	HU050T	NH050N	SU050T	
	IT050E	NH050S		
	IT050L	NT050E		
	IT050N	NT050L		
	IT050S	NT050N		
	IT050T	NT050S		
		NU050E		
		NU050L		
		NU050N		
		NU050S		

# Product Overview - Heat Source and Voltage



TMB2730P\_70421801

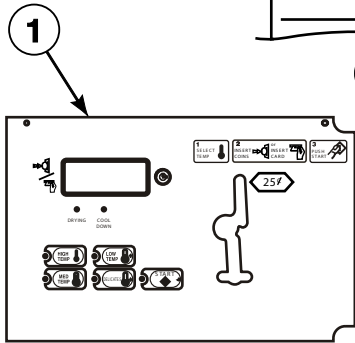
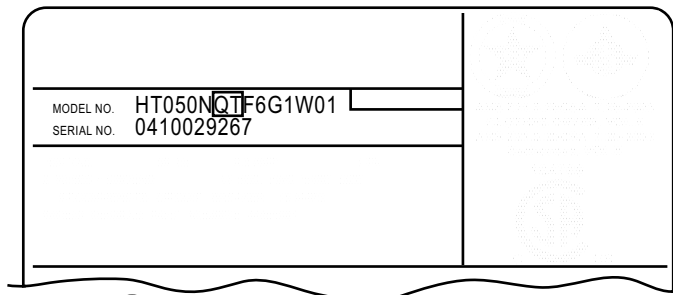


# Product Overview - Heat Source and Voltage

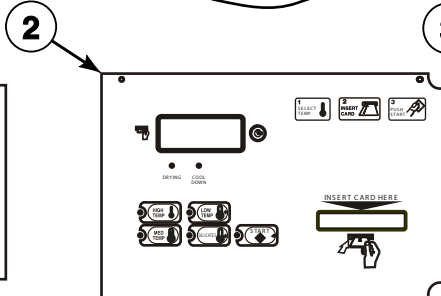
REF	PART NO.	DESCRIPTION	COMMENTS
1	-	Heat Source	D: Liquid Petroleum Gas (L.P.) E: Electric L: Liquid Petroleum Gas (L.P.) N: Natural Gas (N.G.) S: Steam T: Thermal Oil
2	-	Voltage	B1: 120 Volt/60 Hertz/1 Phase F3: 200-208 or 240 Volt/60 Hertz/1 Phase F4: 200 Volt/50 Hertz/3 Phase F5: 200-208 Volt/60 Hertz/3 Phase F6: 200-208 or 240 Volt/60 Hertz/3 Phase J1: 230 Volt/50 Hertz/1 Phase J2: 230-240 Volt/50 Hertz/1 Phase J3: 240 Volt/50 Hertz/1 Phase J5: 230 Volt/50 Hertz/3 Phase J6: 230-240 Volt/50 Hertz/3 Phase J7: 240 Volt/50 Hertz/3 Phase J8: 240 Volt/60 Hertz/3 Phase M1: 380 Volt/50 Hertz/3 Phase M2: 380 or 400-415 Volt/50 Hertz/3 Phase M3: 380 Volt/60 Hertz/3 Phase N1: 400-415 Volt/50 Hertz/3 Phase P1: 440 Volt/60 Hertz/3 Phase Q1: 460-480 Volt/60 Hertz/3 Phase Q2: 480 Volt/60 Hertz/3 Phase

# Product Overview - Control Suffixes (Drawing 1 of 3)

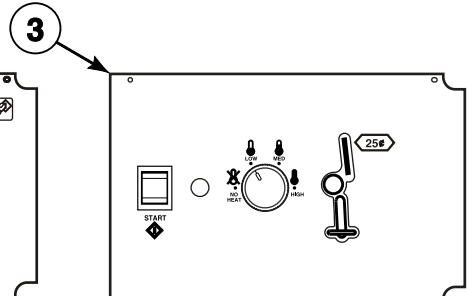
All Models Except G and K Models



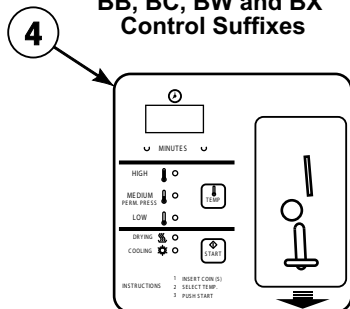
**BB, BC, BW and BX Control Suffixes**



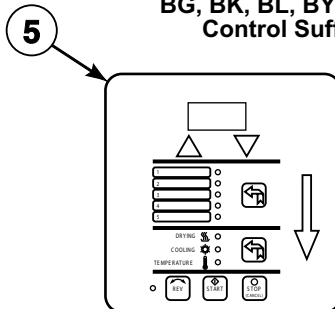
**BG, BK, BL, BY and BZ Control Suffixes**



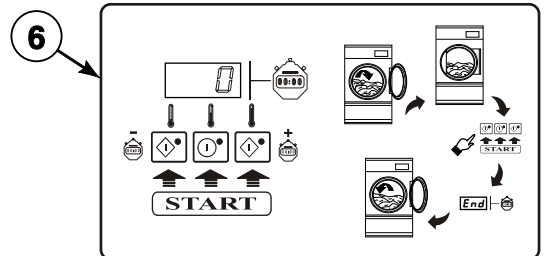
**SD and SX Control Suffixes**



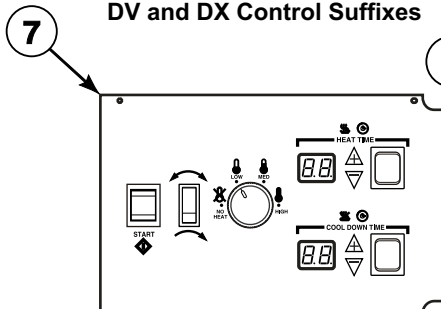
**DV and DX Control Suffixes**



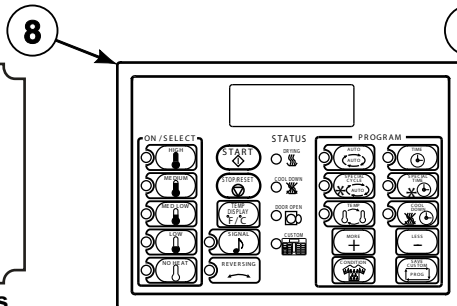
**DO and RD Control Suffixes**



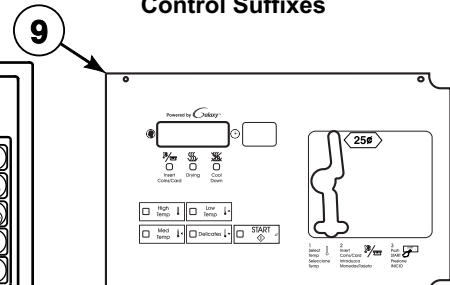
**3B, 3K, 3L, 3O, 3V, 3W, 3X and R3 Control Suffixes**



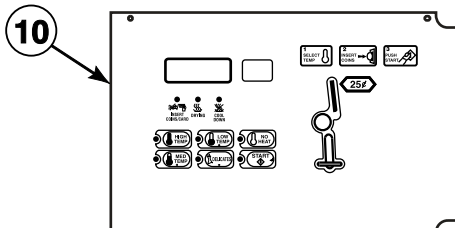
**QT and RQ Control Suffixes**



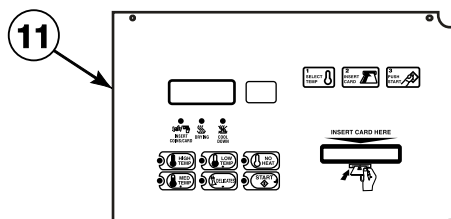
**OM and RM Control Suffixes**



**KB, KC, KK, KL, KW, KX, KY and KZ Control Suffixes**



**LB, LC, LW, LX, WB, WC, WW and WX Control Suffixes**



**LK, LL, LY, LZ, WK, WL, WY and WZ Control Suffixes**

TMB3285P\_70421801

## Product Overview - Control Suffixes (Drawing 1 of 3)

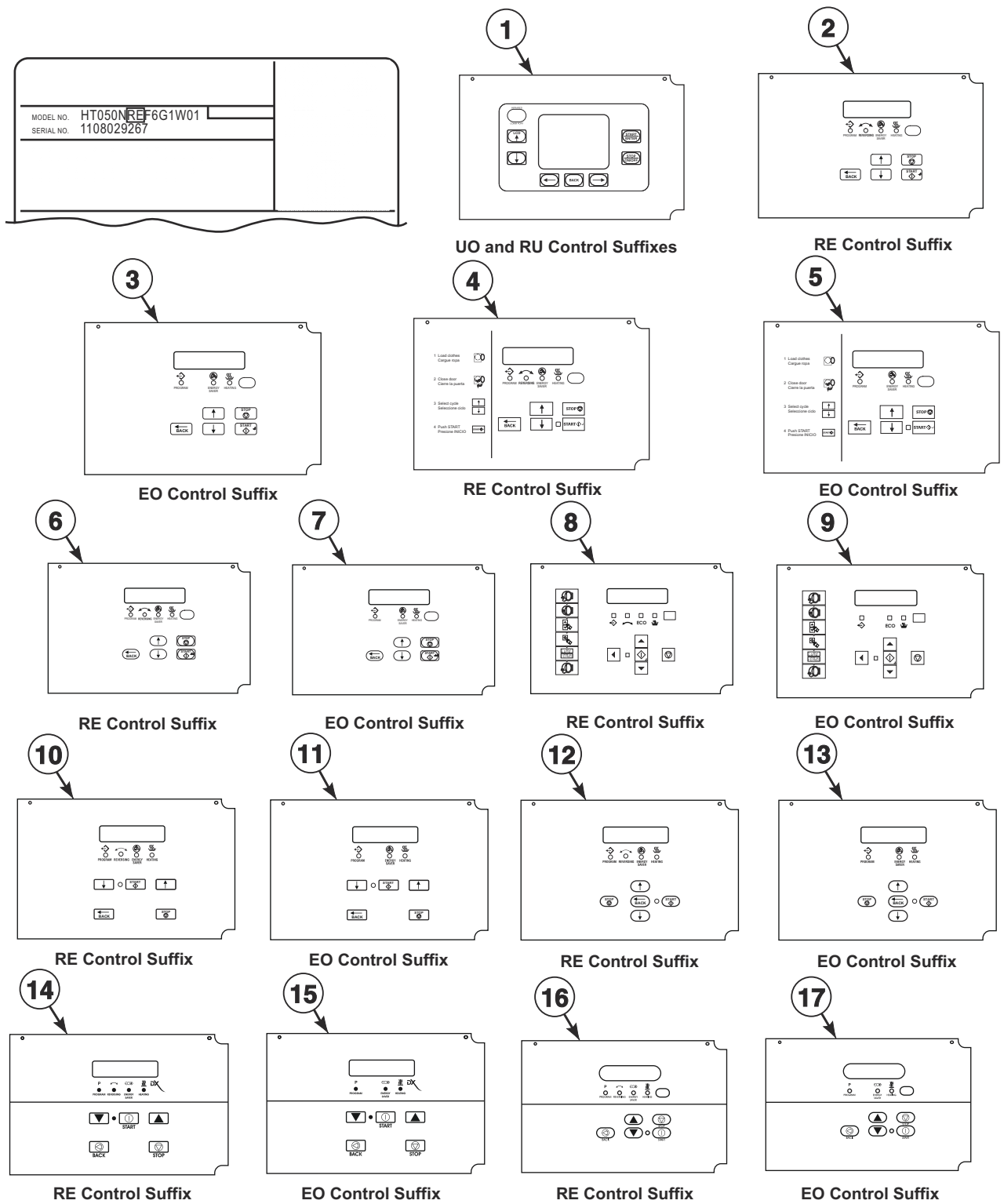
REF	PART NO.	DESCRIPTION	COMMENTS
1	-	Control - Nonreversing	BC: basic electronic, coin BX: basic electronic, prep for coin
	-	Control - Reversing	BB: reversing basic electronic, coin BW: reversing basic electronic, prep for coin
2	-	Control - Nonreversing	BG: basic electronic, OPL mode BL: basic electronic, prep for central pay BY: basic electronic, prep for card
	-	Control - Reversing	BK: reversing basic electronic, prep for central pay BZ: reversing basic electronic, prep for card
3	-	Control - Nonreversing	SD: single drop SX: single drop, prep for coin
4	-	Control - Nonreversing	DV: DMP vended DX: DMP prep for coin
5	-	Control - Nonreversing	DO: DMP OPL
	-	Control - Reversing	RD: reversing DMP OPL
6	-	Control - Nonreversing	3L: DX4 prep for central pay 3O: DX4 OPL 3V: DX4 vended 3X: DX4 prep for coin
	-	Control - Reversing	3B: reversing DX4 vended 3K: reversing DX4 prep for central pay 3W: reversing DX4 prep for coin R3: reversing DX4 OPL
7	-	Control - Nonreversing	QT: dual digital timer
	-	Control - Reversing	RQ: reversing dual digital timer
8	-	Control - Nonreversing	OM: OPL micro
	-	Control - Reversing	RM: reversing OPL micro
9	-	Control - Nonreversing	KC: single coin KL: prep for central pay KX: prep for coin KY: prep for card
	-	Control - Reversing	KB: reversing single coin KK: reversing prep for central pay KW: reversing prep for coin KZ: reversing prep for card
10	-	Control - Nonreversing	LC: network adaptable coin LX: network adaptable, prep for coin WC: network ready coin WX: network ready, prep for coin
	-	Control - Reversing	LB: reversing network adaptable coin LW: reversing network adaptable, prep for coin WB: reversing network ready coin WW: reversing network ready, prep for coin
11	-	Control - Nonreversing	LL: network adaptable, prep for central pay LY: network adaptable, prep for card WL: network ready, prep for central pay WY: network ready, prep for card
	-	Control - Reversing	LK: reversing network adaptable, prep for central pay LZ: reversing network adaptable, prep for card WK: reversing network ready, prep for central pay WZ: reversing network ready, prep for card

**NOTE: Coin models have the following control suffixes: 3B, 3K, 3L, 3V, 3W, 3X, BB, BC, BK, BL, BW, BX, BY, BZ, DV, DX, KB, KC, KK, KL, KW, KX, KY, KZ, LB, LC, LK, LL, LW, LX, LY, LZ, SD, SX, WB, WC, WK, WL, WW, WX, WY and WZ.**

**NOTE: OPL models have the following control suffixes: 3O, BG, DO, OM, QT, R3, RD, RM and RQ.**

# Product Overview - Control Suffixes (Drawing 2 of 3)

All Models Except G, K and M Models



TMB3352P\_70421801

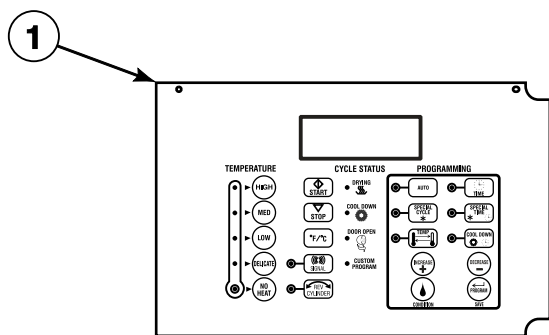
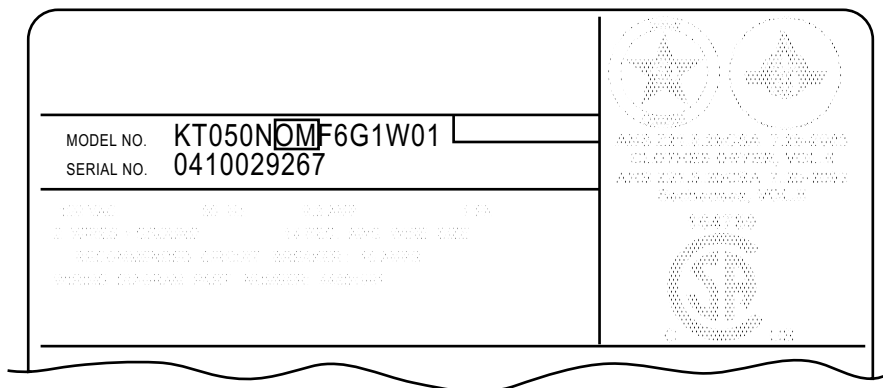
## Product Overview - Control Suffixes (Drawing 2 of 3)

REF	PART NO.	DESCRIPTION	COMMENTS
1	-	Control - Reversing	U models; RU: reversing UniLinc OPL
	-	Control - Nonreversing	U models; UO: UniLinc OPL
2	-	Control - Reversing	S models; RE: reversing LED OPL
3	-	Control - Nonreversing	S models; EO: LED OPL
4	-	Control - Reversing	H models; RE: reversing LED OPL
5	-	Control - Nonreversing	H models; EO: LED OPL
6	-	Control - Reversing	U models; RE: reversing LED OPL
7	-	Control - Nonreversing	U models; EO: LED OPL
8	-	Control - Reversing	B, C and I models; RE: reversing LED OPL
9	-	Control - Nonreversing	B, C and I models; EO: LED OPL
10	-	Control - Reversing	P models; Models through 9/30/14; RE: reversing LED OPL
11	-	Control - Nonreversing	P models; Models through 9/30/14; EO: LED OPL
12	-	Control - Reversing	N and Y models; L models through 5/31/15; RE: reversing LED OPL
13	-	Control - Nonreversing	N and Y models; L models through 5/31/15; EO: LED OPL
14	-	Control - Reversing	P models; Models starting 10/1/14 through 5/31/15; RE: reversing LED OPL
15	-	Control - Nonreversing	P models; Models starting 10/1/14 through 5/31/15; EO: LED OPL
16	-	Control - Reversing	L and P models; Models starting 6/1/15; RE: reversing LED OPL
17	-	Control - Nonreversing	L and P models; Models starting 6/1/15; EO: LED OPL

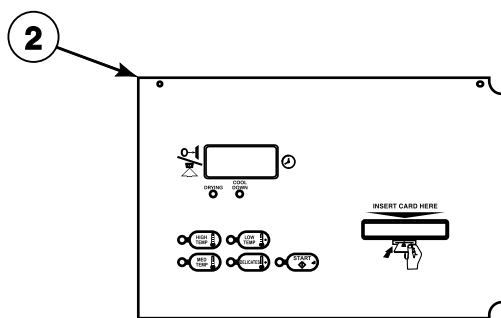
**NOTE: OPL models have the following control suffixes: EO, RE, RU and UO.**

# Product Overview - Control Suffixes (Drawing 3 of 3)

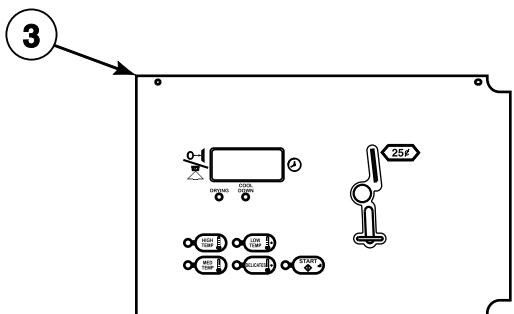
G and K Models



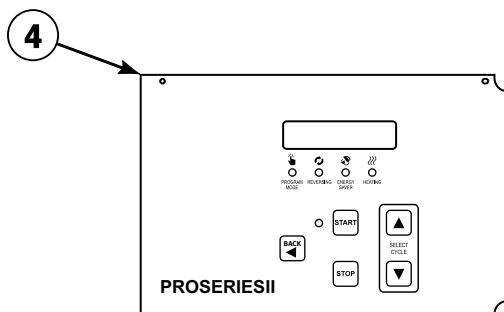
**OM and RM Control Suffixes**



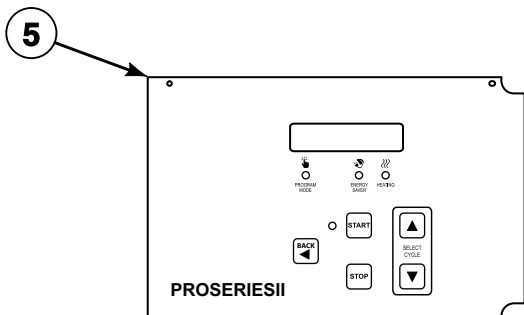
**BG and BL Control Suffixes**



**BB, BC, BW and BX Control Suffixes**



**RE Control Suffix**



**EO Control Suffix**

TMB3196P\_70421801

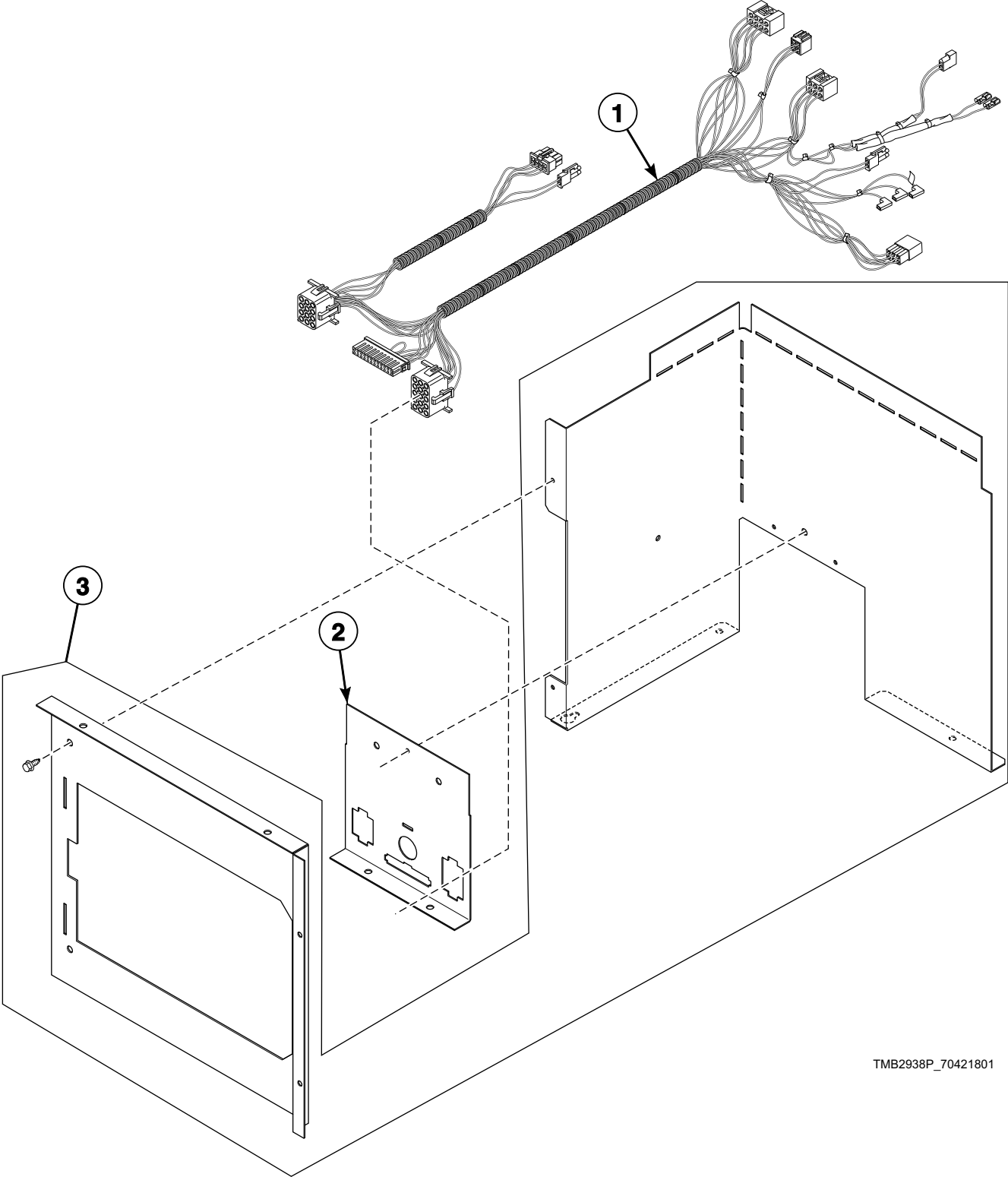
## Product Overview - Control Suffixes (Drawing 3 of 3)

REF	PART NO.	DESCRIPTION	COMMENTS
1	-	Control - Nonreversing	OM: OPL micro
	-	Control - Reversing	RM: reversing OPL micro
2	-	Control - Nonreversing	BG: basic electronic, OPL mode BL: basic electronic, central pay
3	-	Control - Nonreversing	BC: basic electronic, coin BX: basic electronic, prep for coin
	-	Control - Reversing	BB: reversing basic electronic, coin BW: reversing basic electronic, prep for coin
4	-	Control - Reversing	RE: reversing LED OPL
5	-	Control - Nonreversing	EO: LED OPL

**NOTE: Coin models have the following control suffixes: BB, BC, BW and BX**

**NOTE: OPL models have the following control suffixes: BG, BL, EO, OM, RE and RM.**

# Control Box



TMB2938P\_70421801

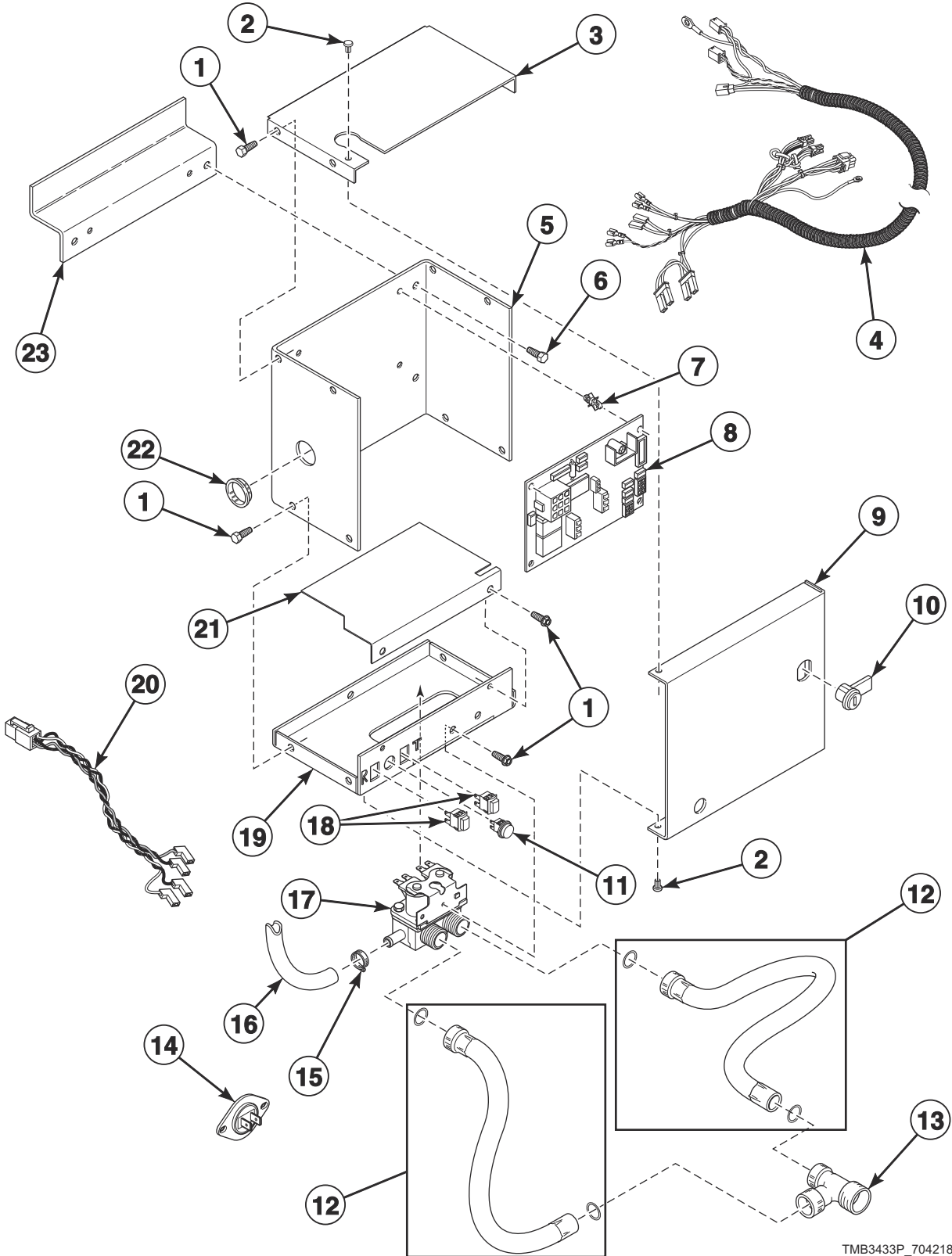


# Control Box

REF	PART NO.	DESCRIPTION	COMMENTS
1	44137401P	Main Harness	Models through 7/31/11; Includes airflow switch wires
	44187001	Main Harness	Models starting 8/1/11; Includes airflow switch wires
2	70307002	Control Housing Cover	WC, WX and WY control suffixes
	70307001	Control Housing Cover	All other control suffixes
3	44180101	Control Box Assembly	

# Fire Suppression System Control Box

B, C, G, H, I, K, L, M, P, S and U Gas and Steam Models  
Models Through 7/31/11 with a F, K, L, N, T, U or W in the 11th Character (ST050NLCF6K1W01)  
Models Starting 8/1/11 with a C, D or Y in the 11th Character



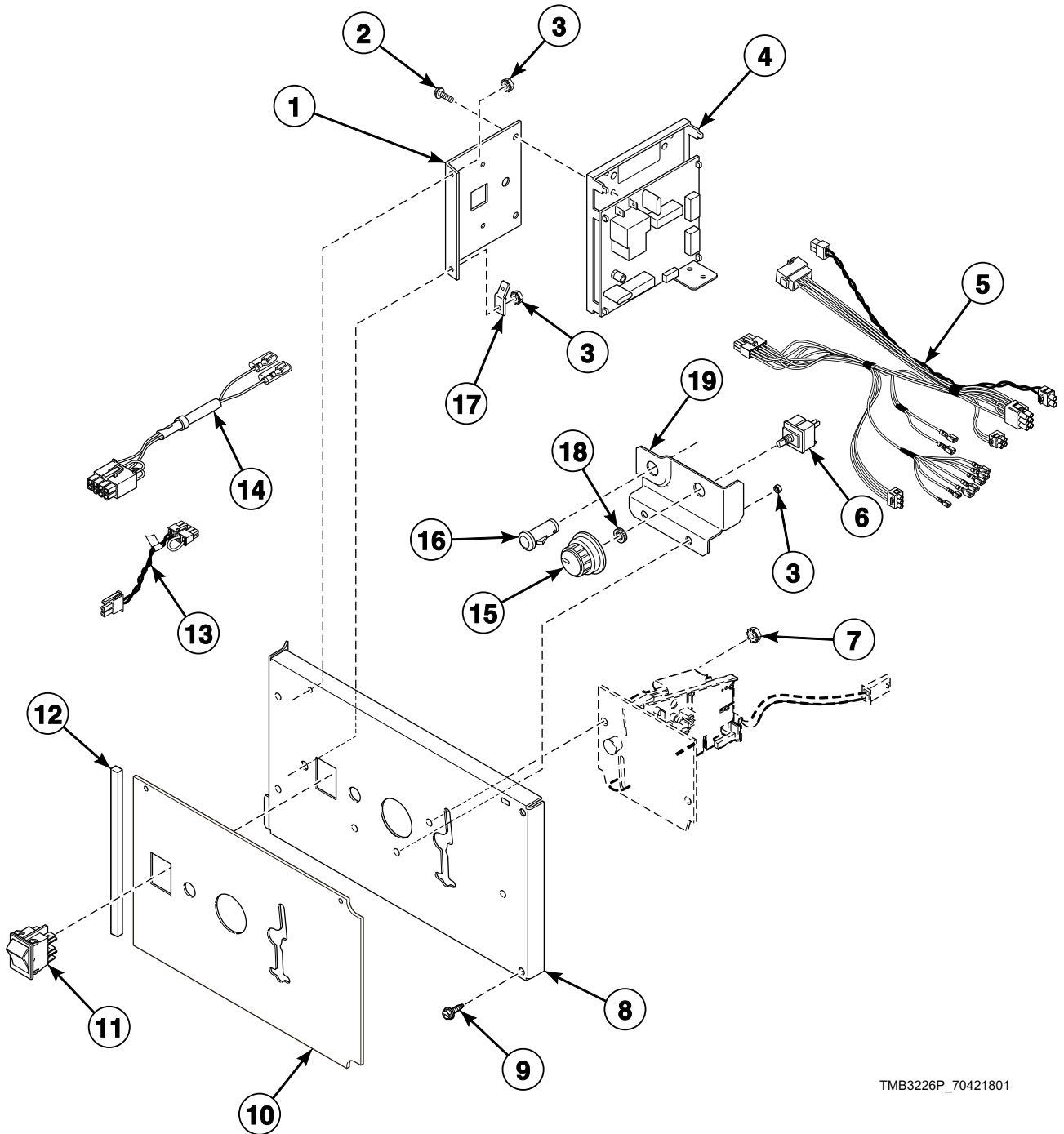
TMB3433P\_70421801

## Fire Suppression System Control Box

REF	PART NO.	DESCRIPTION	COMMENTS
	44073601	Manifold	
1	430497	Screw	
2	M400713	Drive Rivet	
3	44065401	Control Box Top	
4	44141601P	Control Harness Assembly	
5	44065101	Control Box Housing	
6	51780	Screw	
7	501523	Circuit Board Support	4 required
8	44063801P	Control	
9	44065201	Control Box Cover	
10	44089301P	Lock, Key and Nut Kit	RL001 key code; Optional if same key is to be used for control lock
	70155601	Key	RL001
11	801432	Light	
12	F200116	Water Hose	2 required; Non-CE and non-Australian models
	38349P	Fill Hose Kit	CE and Australian models
13	44069101	Hose Fitting	Non-CE and non-Australian models
14	44064701	Thermistor	2 required
15	36801	Hose Clamp	
16	44073301	Hose	39 inches; Outlet hose
17	36958P	Mixing Valve	
18	801434W	Push-to-Start Switch	2 required
19	44065301	Control Box Base	
20	44141701P	Sensor Harness Assembly	
21	44065701	Mixing Valve Shield Bracket	
22	70178701	Snap Bushing	
23	44065901	Bracket	For mounting fire suppression system box to machine

# Single Drop Controls

C, H, I and S Models Except Models HT050D, ST050D and Thermal Oil Models Through 3/31/10  
Models with SD and SX Control Suffixes



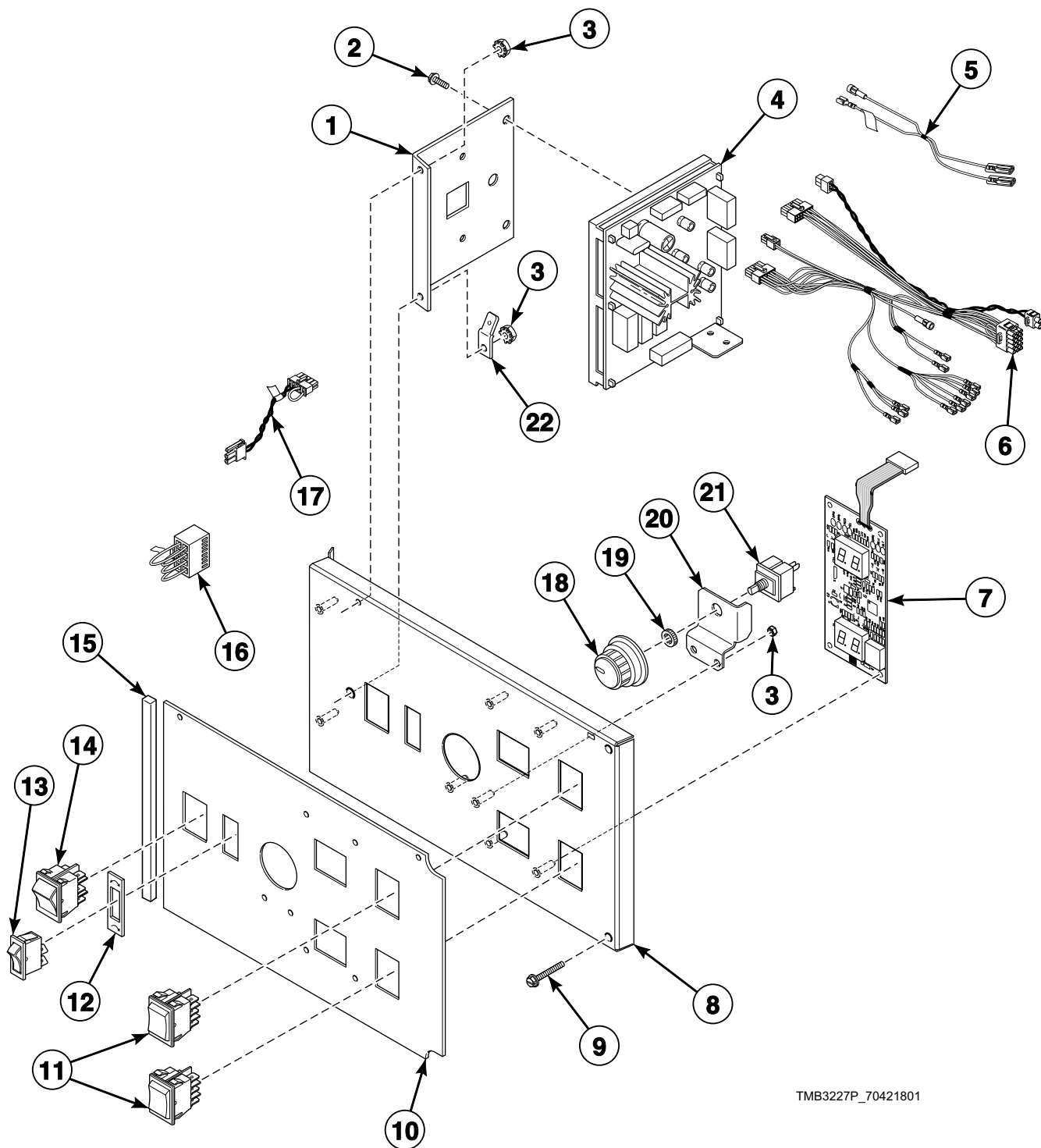
TMB3226P\_70421801

# Single Drop Controls

REF	PART NO.	DESCRIPTION	COMMENTS
1	70357901	Control Chassis Mounting Bracket	
2	501524	Screw	
3	70054	Nut	
4	513139P	Control Assembly	
5	70369001	Control Panel Harness	Non-CE and non-Australian models
	70398401	Control Panel Harness	CE and Australian models
6	511711	Temperature Selector Switch	
7	29786	Nut	
8	70363401	Control Door Assembly	
9	70069901	Screw	
10	70362901	Overlay	C, I and S models
	70363001	Overlay	H models
11	70455101	Rocker Switch	Start switch
12	70414101	Foam Gasket	
13	70324604	Jumper Calibration Wire	
14	70364104P	Coin Vault Switch Harness	Non-CE models
15	44104601	Temperature Knob	
16	801431	Light	
17	00177	Male Tab Terminal	
18	24205	Nut	
19	70350201	Temperature Selector Bracket	

# Dual Digital Timer Controls

C, H, I, L, N, P, S, U and Y Models  
G and K Models Starting 1/16/12  
Models with QT and RQ Control Suffixes



TMB3227P\_70421801

## Dual Digital Timer Controls

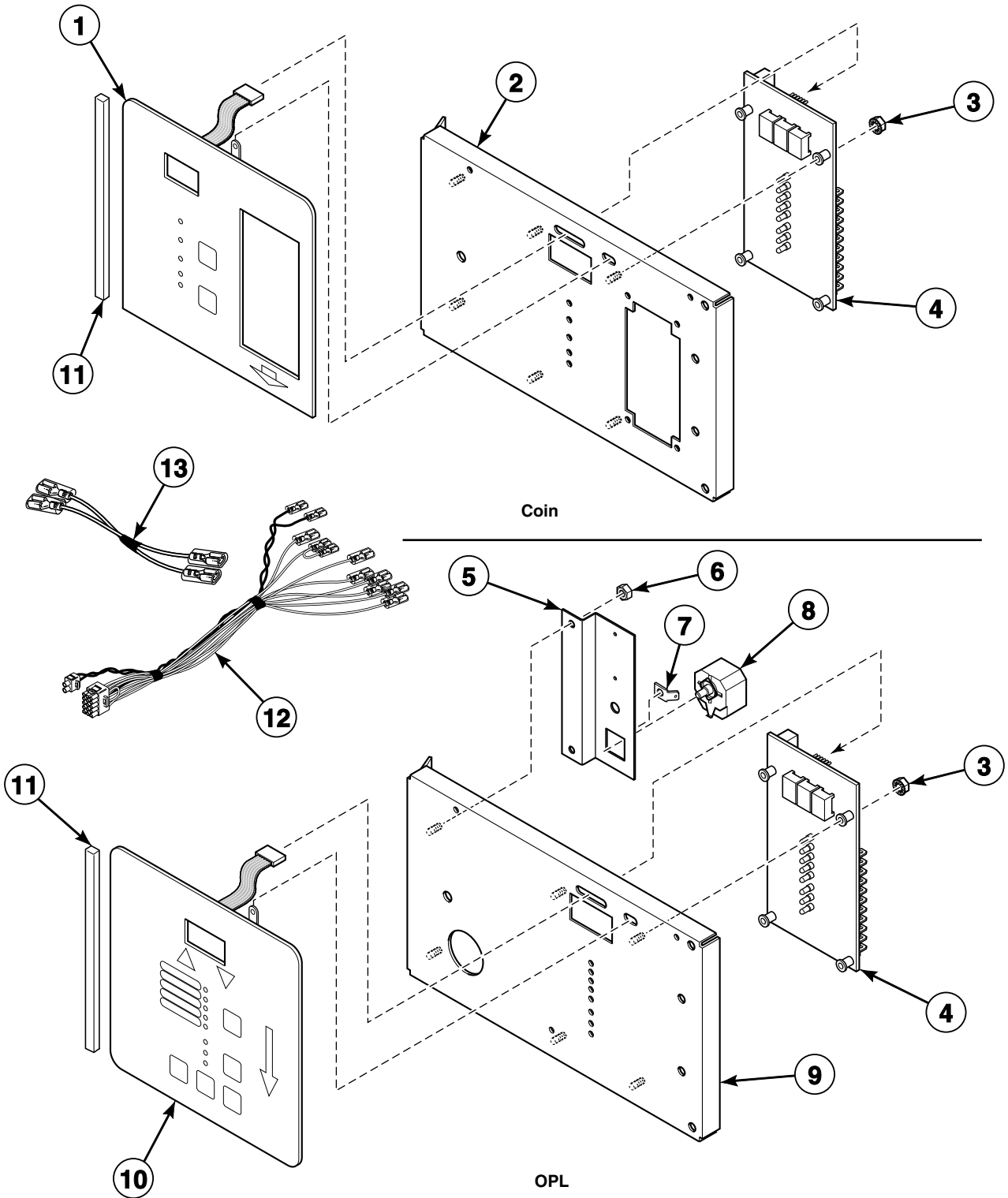
REF	PART NO.	DESCRIPTION	COMMENTS
1	70357901	Control Chassis Mounting Bracket	
2	501524	Screw	
3	70054	Nut	
4	512202P	Control Assembly	
5	44100101P	Control Harness	Reversing; Use in addition to item 6
6	70367001P	Control Panel Harness	
7	512218P	Display Assembly	C and I models through 7/14/14; All other models
	70503101P	Control Assembly	C and I models; Models starting 7/15/14
8	70360601	Control Plate Assembly	
9	70069901	Screw	
10	70362201	Overlay	G, K, L, N, S and Y models; C and I models through 7/14/14; U models through 8/17/14; P models starting 1/15/15; Nonreversing
	70362202	Overlay	G, K, L, N, S and Y models; C and I models through 7/14/14; U models through 8/17/14; P models starting 1/15/15; Reversing
	70504701	Overlay	C and I models; Models starting 7/15/14; Nonreversing
	70504702	Overlay	C and I models; Models starting 7/15/14; Reversing
	70494001	Overlay	U models; Models starting 8/18/14; Nonreversing
	70494002	Overlay	U models; Models starting 8/18/14; Reversing
	70362501	Overlay	H models; Nonreversing
	70362502	Overlay	H models; Reversing
	70362401	Overlay	P models; Models through 1/14/15; Nonreversing
	70362402	Overlay	P models; Models through 1/14/15; Reversing
11	70461301	Rocker Switch	
12	M413236	Switch Plate	Reversing
13	44099601	Rocker Switch	Reversing
14	70455101	Rocker Switch	Start switch
15	70414101	Foam Gasket	
16	70364103	Bypass Harness	Non-CE models
17	70324604	Jumper Calibration Wire	
18	44104601	Temperature Knob	
19	24205	Nut	
20	70391701	Temperature Selector Switch Bracket	
21	511711	Temperature Selector Switch	
22	00177	Male Tab Terminal	

# DMP Control

C and I Models

Models with DO, DV, DX and RD Control Suffixes

Coin Models Through 4/1/10; OPL Models Through 7/31/11



TMB3032P\_70421801

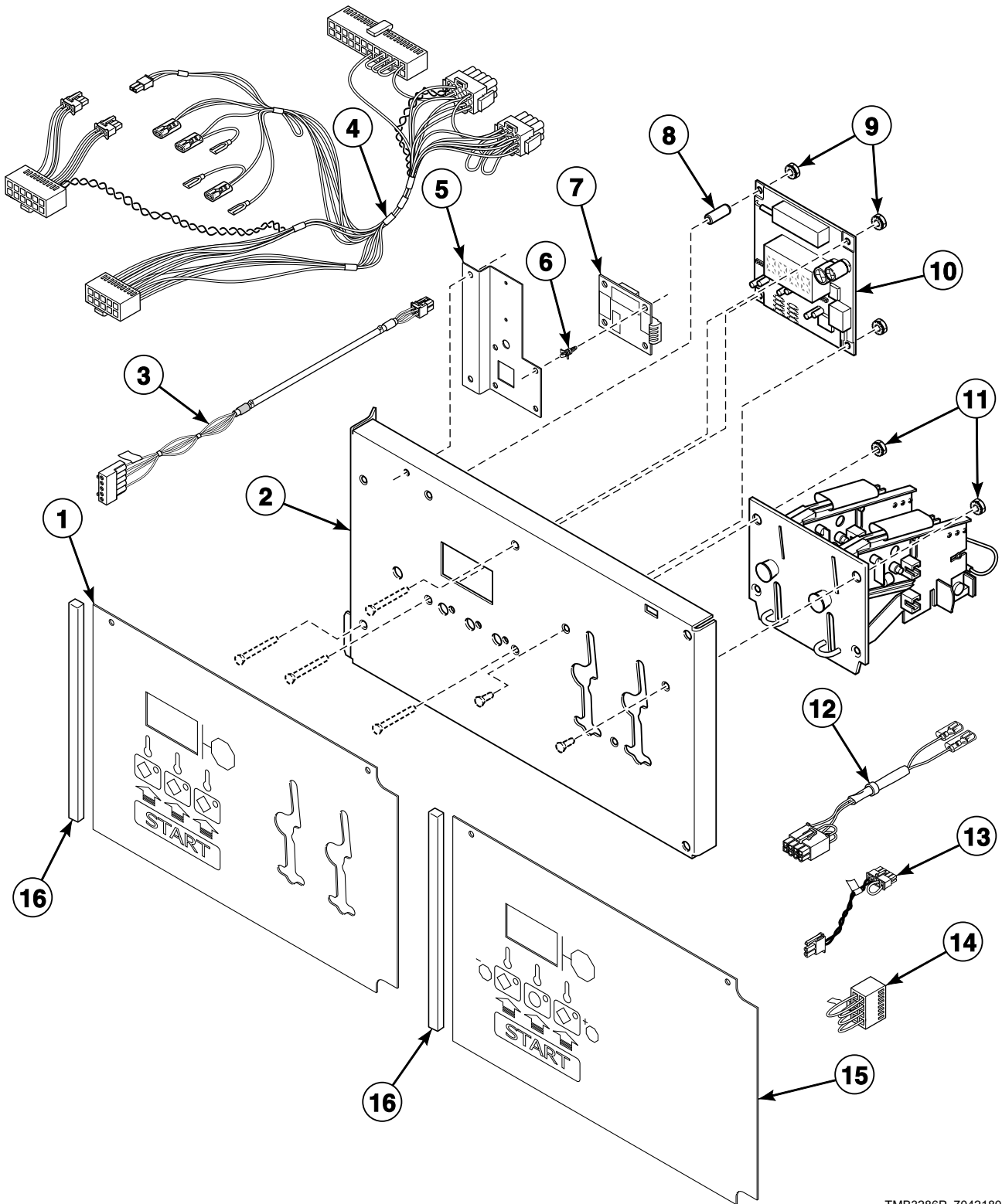


## DMP Control

REF	PART NO.	DESCRIPTION	COMMENTS
	M4797P3	Control Conversion Kit	C models except CT050T and CU050T; DV and DX control suffixes
1	44039402P	Membrane Switch	Coin
2	44041001	Control Plate Assembly	Coin; Includes studs
3	29787	Nut	
4	44037801P	Electronic Control	
5	44041701	Relay/Buzzer Bracket	
6	70054	Nut	
7	00177	Male Tab Terminal	
8	505447	Adjustable Buzzer	
9	44040901	Control Plate Assembly	OPL; Includes studs
10	44037901P	Membrane Switch	OPL
11	70414101	Foam Gasket	
12	70341801P	Control Panel Harness Assembly	Non-CE models
	70341901P	Control Panel Harness	CE models; Coin
	70342001P	Control Panel Harness	CE models; OPL
13	44042701	Jumper Set Assembly	Coin; Use in addition to item 12
	44042801	Jumper Set Assembly	OPL; Buzzer; Use in addition to item 12

# DX4 Electronic Control

B and I Models  
Models with 3B, 3K, 3L, 3O, 3V, 3W, 3X and R3 Control Suffixes



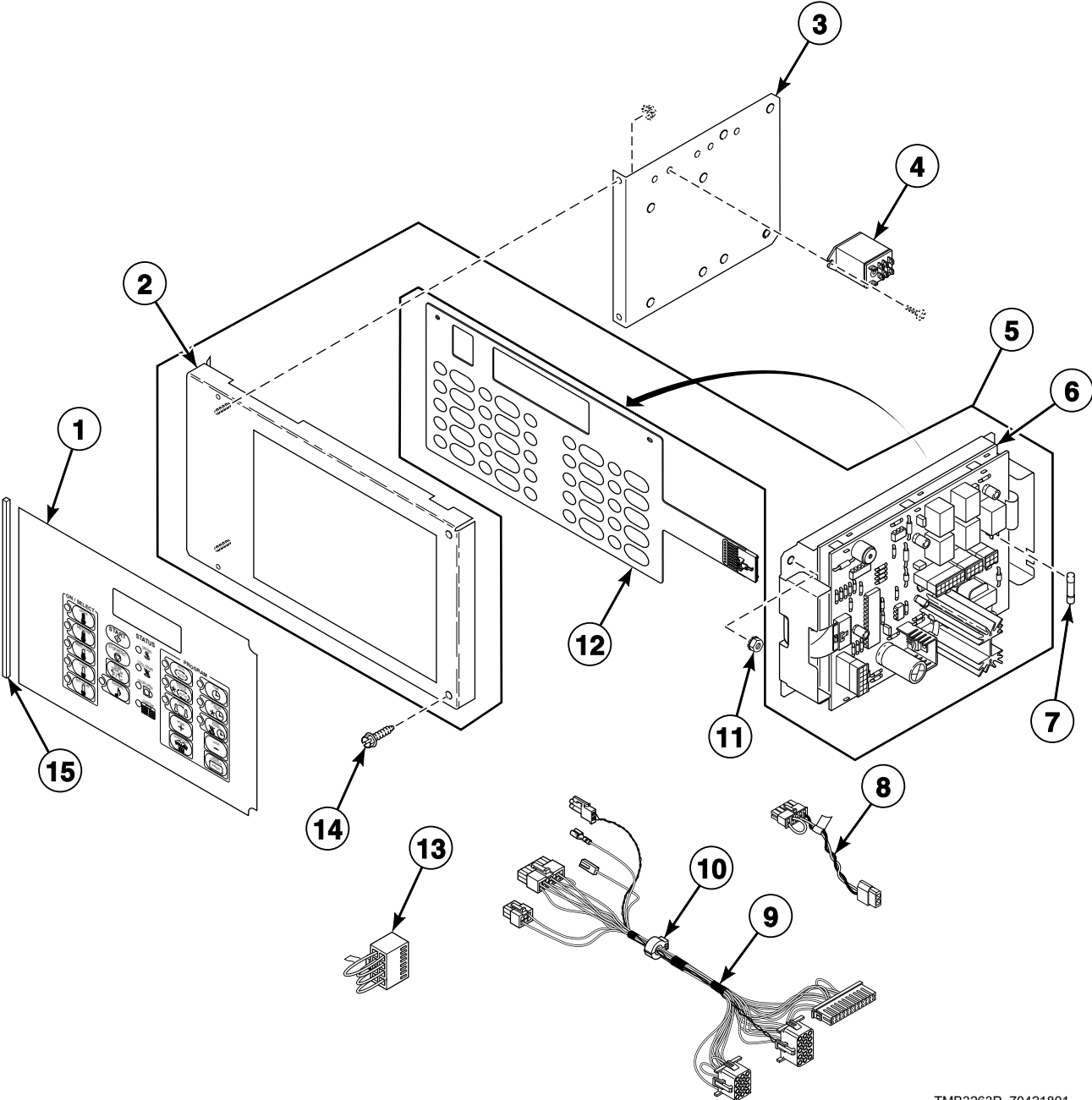
TMB3286P\_70421801

## DX4 Electronic Control

REF	PART NO.	DESCRIPTION	COMMENTS
1	44050502	Graphic Overlay	Dual; Coin (shown); Models through 7/31/11
	44239402	Graphic Overlay	Dual; Coin (shown); Models starting 8/1/11
	44050501	Graphic Overlay	Single; Coin; Models through 7/31/11
	44239401	Graphic Overlay	Single; Coin; Models starting 8/1/11
	44239403	Graphic Overlay	Prep for central pay
2	44050701P	Control Plate Kit	Includes studs
3	70491501	Central Pay Harness	3K and 3L control suffixes
4	70485301	Control Panel Harness	Non-CE and non-Australian models
	70489901	Control Panel Harness	CE and Australian models
5	44263501	Bracket	CE models; All other models with 3K and 3L control suffixes
6	211/00119/00	Standoff	4 required
7	209/00471/75	Central Pay Interface Control Assembly	3K and 3L control suffixes
8	44050601	Sleeve	4 required
9	29787	Nut	
10	70462305P	Control Assembly	3O control suffix
	70462306P	Control Assembly	R3 control suffix
	70462365P	Control Assembly	3V and 3X control suffixes
	70462366P	Control Assembly	3B and 3W control suffixes
	70462372	Control Assembly	3K and 3L control suffixes
11	29786	Nut	2 required
12	70364104P	Coin Vault Switch Harness	3B and 3V control suffixes; Non-CE models
13	70324604	Jumper Calibration Wire	
14	70364103	Bypass Harness	3O, 3W, 3X and R3 control suffixes; Non-CE models
15	44240501	Graphic Overlay	OPL
16	70414101	Foam Gasket	

# OPL Microprocessor Controls

H, S and U Models Through 7/31/11  
G, K, L and P Models Through 1/1/12  
Models with OM and RM Control Suffixes



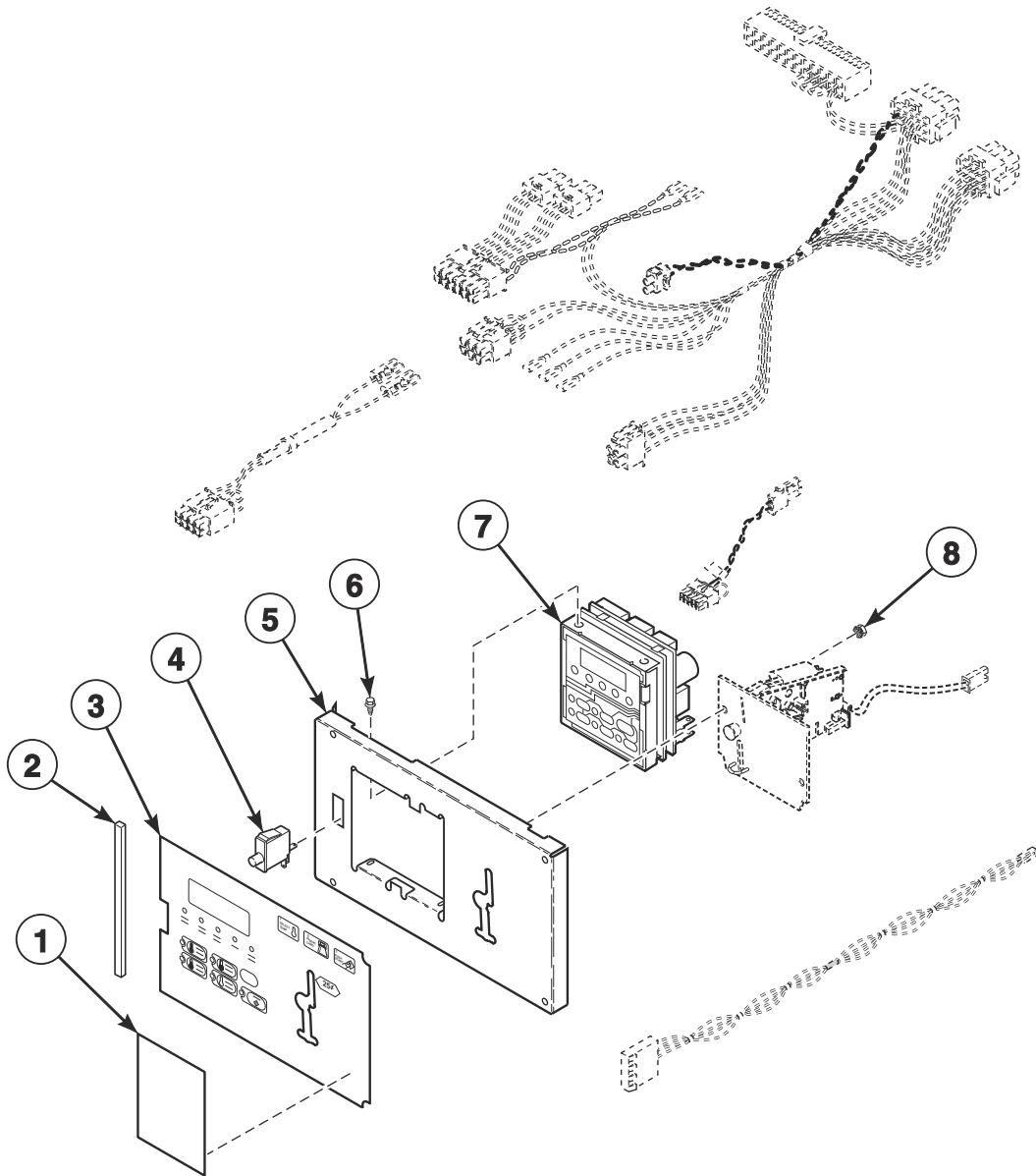
TMB3263P\_70421801

# OPL Microprocessor Controls

REF	PART NO.	DESCRIPTION	COMMENTS
	M4457P3	RC Filter Kit	Includes (2) F330217P RC Filter and instructions
1	70115801	Overlay	L, S and U models; Nonreversing; Text and icon
	70128401	Overlay	L, S and U models; Reversing; Text and icon
	70130401	Overlay	S and U models; Nonreversing; Icon
	70130501	Overlay	S and U models; Reversing; Icon
	70128701	Overlay	H models; Nonreversing; Text and icon
	70128601	Overlay	H models; Reversing; Text and icon
	70130601	Overlay	H models; Nonreversing; Icon
	70130701	Overlay	H models; Reversing; Icon
	70130301	Overlay	P models; Nonreversing; Text and icon
	70135301	Overlay	P models; Reversing; Text and icon
	44130002	Overlay	G and K models; Nonreversing; Text and icon
	44130001	Overlay	G and K models; Reversing; Text and icon
	2	70175805	Control Plate Assembly
3	44018601	Temperature Control Bracket	
4	M412534	Relay	
5	44013601P	Control Assembly	Does not include overlay or control panel harness
6	70228401P	Control Kit	With tape
7	70406501	Fuse	
8	70084304	Jumper Calibration Wire	OM control suffix
	70084305	Jumper Calibration Wire	RM control suffix
9	70335301P	Control Panel Harness	Non-CE models
	70382701P	Control Panel Harness	CE models
10	M413930P	Ferrite Core Assembly	
11	70054	Nut	4 required
12	M414368P	Membrane Switch	
13	70364103	Bypass Harness	Non-CE models
14	70069901	Screw	2 required
15	70414101	Foam Gasket	

# Coin Drop Components for MDC Models

G, H, I, K, L, N, P and S Models Except Thermal Oil Models  
Models with BB, BC, BK, BL, BW and BX Control Suffixes



TMB3287P\_70421801

## Coin Drop Components for MDC Models

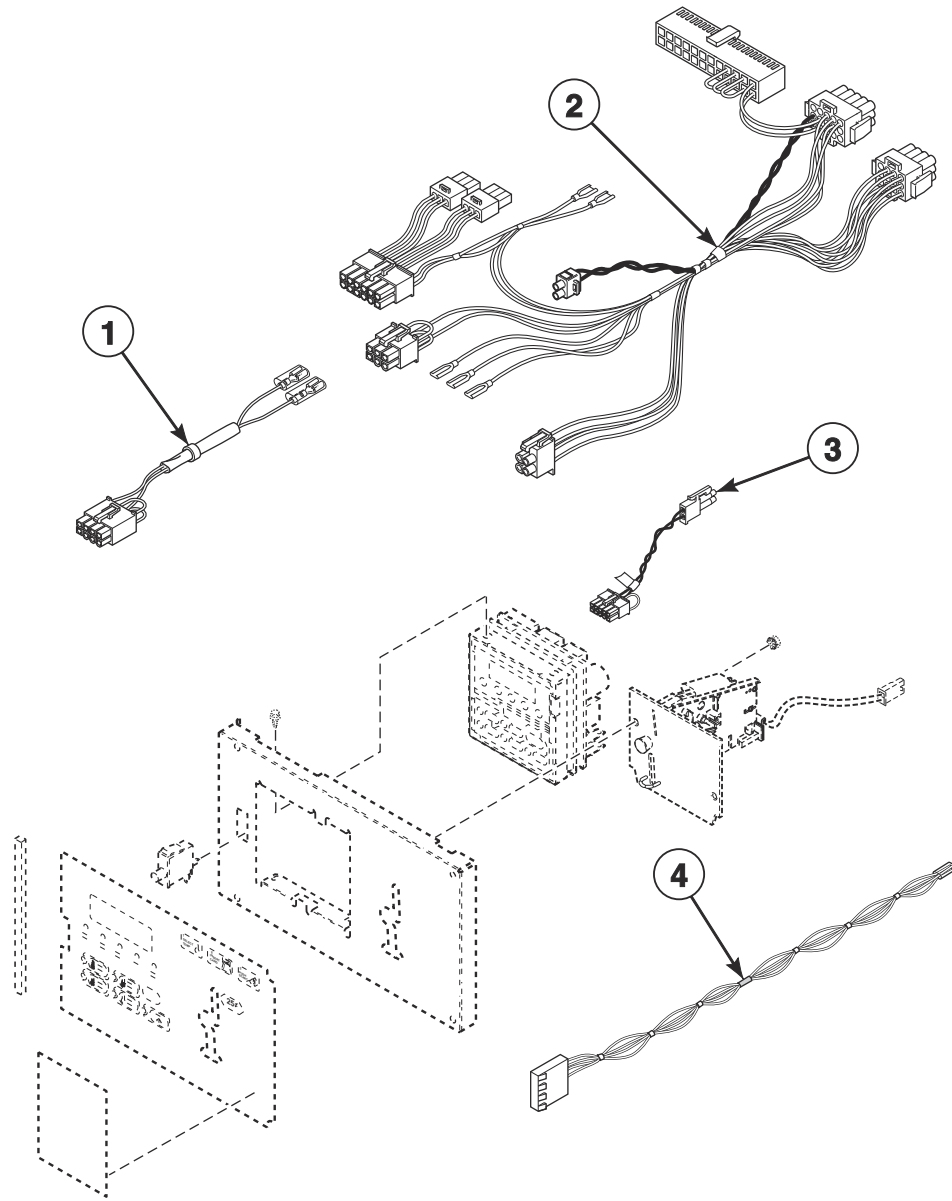
REF	PART NO.	DESCRIPTION	COMMENTS
	70321201	Coin Drop Overlay Kit	P models
1	39564	Coin Drop Overlay	S models; Models with BK** and BL** control suffixes; Cover
	70246301	Coin Cover Overlay	G, I, K, L and N models; Models with BK** and BL** control suffixes; Cover
	70286701	Overlay	P models; Models through 9/30/14 with BK** and BL** control suffixes; Cover
	70510501	Overlay	P models; Models starting 10/1/14; Single drop
	70510601	Overlay	P models; Models starting 10/1/14; Dual drop
	70510701	Overlay	P models; Models starting 10/1/14; World drop
	70510801	Overlay	P models; Models starting 10/1/14 with BK* and BL* control suffixes
	70510901	Overlay	P models; Blank for central pay
	70275401	Overlay	H models; Models with BK** and BL** control suffixes; Cover
2	70414101	Foam Gasket	
3	70257701	Overlay	L and S models; Models with BC, BK**, BL** and BX control suffixes; Text; Single drop
	70261001	Overlay	L, N and S models; Models with BC, BK**, BL** and BX control suffixes; Icon; Single drop
	70257702	Overlay	L and S models; Models with BC and BX control suffixes; Text; Dual drop
	70261002	Overlay	L, N and S models; Models with BC and BX control suffixes; Icon; Dual drop
	70258001	Overlay	H models; Models with BC, BK**, BL** and BX control suffixes; Text; Single drop
	70261201	Overlay	H models; Models with BC, BK**, BL** and BX control suffixes; Icon; Single drop
	70258002	Overlay	H models; Models with BC and BX control suffixes; Dual drop
	70261202	Overlay	H models; Models with BC and BX control suffixes; Icon; Dual drop
	70129501	Overlay	P models; Models through 9/30/14 with BC* and BX* control suffixes; Single drop
	70129601	Overlay	P models; Models through 9/30/14 with BC* and BX* control suffixes; Dual drop
	70321001	Overlay	P models; Models through 9/30/14 with BC* and BX* control suffixes; World drop
	70259001	Overlay	P models; Models through 9/30/14 with BC* and BX* control suffixes
	70508701	Overlay	P models; Models starting 10/1/14
	70453001	Overlay	G and K models; Text; Single drop
	70453002	Overlay	G and K models; Text; Dual drop
	70491901	Overlay	I models; Models through 7/14/14 with BC and BX control suffixes; Single drop
	70491902	Overlay	I models; Models through 7/14/14 with BC and BX control suffixes; Dual drop
	70505201	Overlay	I models; Models starting 7/15/14 with BC and BX control suffixes; Single drop
	70505202	Overlay	I models; Models starting 7/15/14 with BC and BX control suffixes; Dual drop
	4	70413301	Pushbutton Switch
5	70291001P	Control Plate Kit	
6	501524	Screw	4 required for mounting control
7	514273P	Control Assembly	I models; Models starting 7/15/14
	511867P	Control Assembly	I models through 7/14/14; All other models
	510036P	Membrane Switch	Order to replace touchpad for 511867P Control Assembly
8	29786	Nut	3 required

\* NOTE: P models with BC or BX control suffixes require an overlay and coin drop overlay.

\*\* NOTE: BK and BL control suffixes require an overlay and overlay cover specific to model.

# Coin Drop - Wire Harnesses for MDC Models

G, H, I, K, L, N, P and S Models Except Thermal Oil Models  
Models with BB, BC, BK, BL, BW and BX Control Suffixes



TMB3287PA\_70421801



## Coin Drop - Wire Harnesses for MDC Models

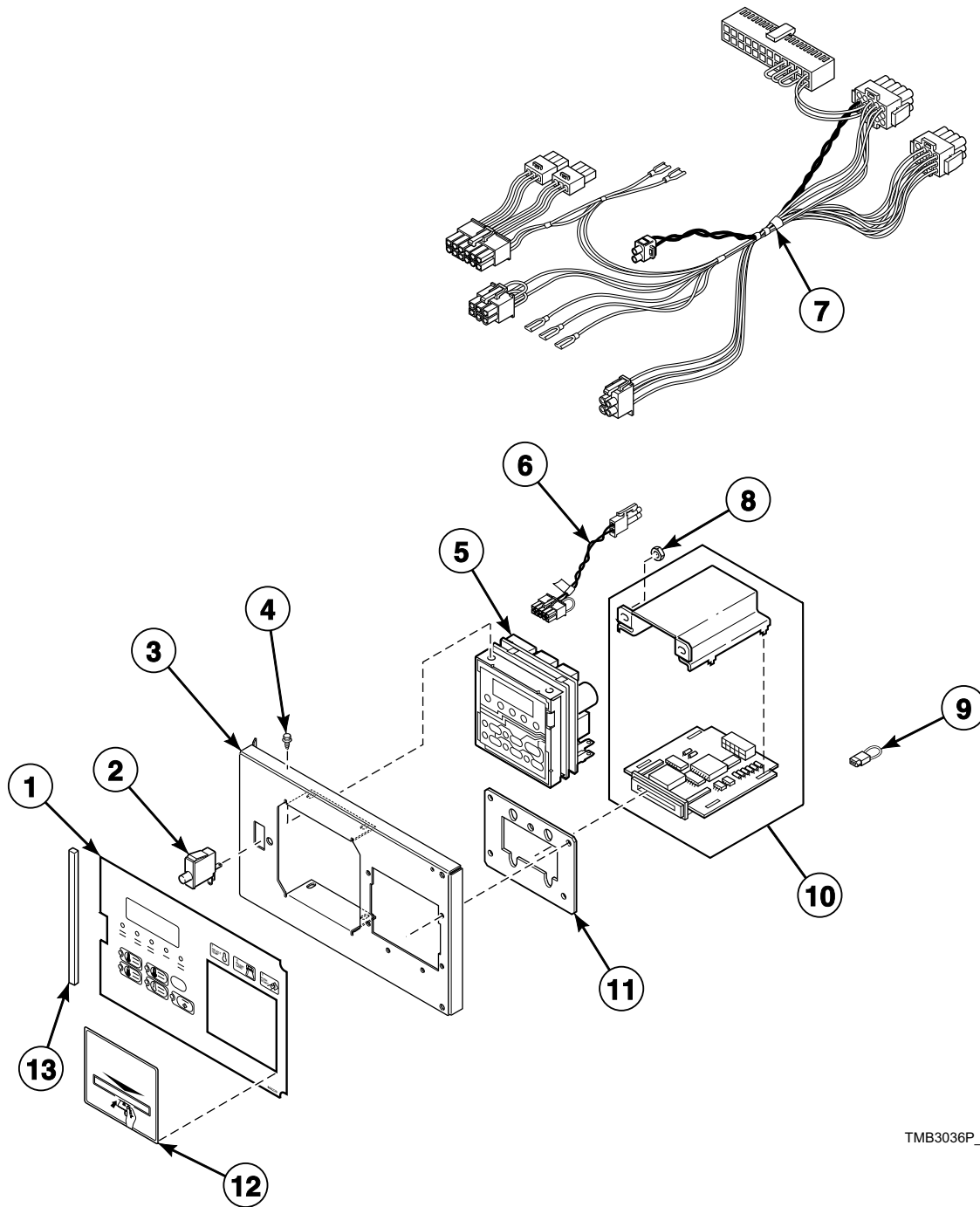
REF	PART NO.	DESCRIPTION	COMMENTS
1	70364104P	Coin Vault Switch Harness	Non-CE models
2	70429101P	Control Panel Harness	Non-CE models
	70429201P	Control Panel Harness	CE models
3	70324604	Jumper Calibration Wire	
4	70484601	Central Pay Harness	BK and BL control suffixes

# Central Pay and Card Reader MDC Models

G, H, I, K, L, N, P and S Models Except Thermal Oil Models

Models with BK, BL, BY and BZ Control Suffixes

Models with BG Control Suffix Through 1/15/12



TMB3036P\_70421801

## Central Pay and Card Reader MDC Models

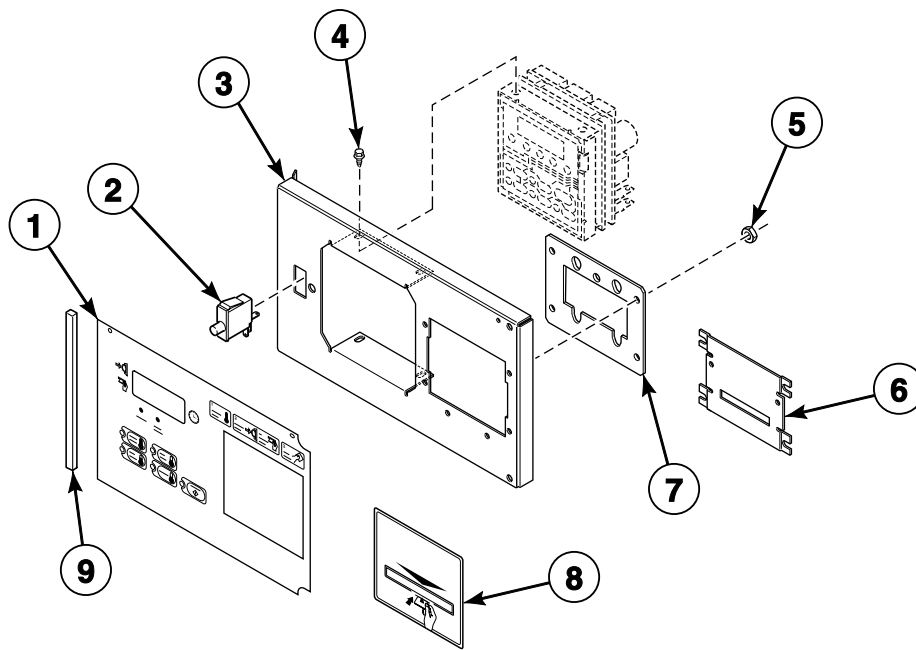
REF	PART NO.	DESCRIPTION	COMMENTS
1	70266701	Overlay	L and S models; Models with BY control suffix; Text
	N/A	Overlay	L and S models; Models with BY control suffix; Icon
	70257703	Overlay	L and S models except model ST050D; Models with BY control suffix; Text
	70261003	Overlay	L, N and S models except model ST050D; Models with BY control suffix; Icon
	70259001	Overlay	P models; Models through 9/30/14 with BL* control suffix
	70509701	Overlay	P models; Models starting 10/1/14
	70266801	Overlay	H models; Models with BY control suffix; Text
	70258003	Overlay	H models except model HT050D; Models with BY control suffix; Text
	70453101	Overlay	G and K models
	70491903	Overlay	I models; Models through 7/14/14 with BY control suffix
	70505203	Overlay	I models; Models starting 7/15/14
	2	70413301	Pushbutton Switch
3	70348801	Control Plate Assembly	H, I, N, P and S models except models HT050D and ST050D; Models with BY control suffix
	70291001P	Control Plate Kit	H, I, L, N, P and S models; Models with BK and BL control suffixes
4	501524	Screw	
5	514273P	Control Assembly	I models; Models starting 7/15/14
	511867P	Control Assembly	I models through 7/14/14; All other models
	510036P	Membrane Switch	Order to replace touchpad for 511867P Control Assembly
6	70324604	Jumper Calibration Wire	
7	70429101P	Control Panel Harness	Non-CE models
	70358701	Control Panel Harness	CE models
8	70054	Nut	
9	70364103	Bypass Harness	Non-CE models
10	510068P	Card Reader and Bracket Assembly	
11	70208801	Mounting Plate	H, I, N, P and S models except models HT050D and ST050D; Models with BY control suffix
12	70334201	Card Reader Overlay	N and S models; Black
	70334301	Card Reader Overlay	H models; Gray
	70246301	Coin Cover Overlay	G, K, L and N models
	70511001	Overlay	P models; Models starting 10/1/14; With card slot
13	70414101	Foam Gasket	

N/A = Part no longer available

\* NOTE: BK and BL control suffixes require an overlay and overlay cover specific to model.

# Optional Card Reader Mountings for MDC Models

H, I, K, L, N, P and S Models Except Thermal Oil Models  
Models with BY Control Suffix



TMB3037P\_70421801

## Optional Card Reader Mountings for MDC Models

REF	PART NO.	DESCRIPTION	COMMENTS
1	70257703	Overlay	L and S models; Text and icon
	70258003	Overlay	H models; Text and icon
	70261003	Overlay	N models; Icon
	70453101	Overlay	K models
	70491903	Overlay	I models; Models through 7/14/14
	70505203	Overlay	I models; Models starting 7/15/14
	70509701	Overlay	P models
2	70413301	Pushbutton Switch	
3	70348801	Control Plate Assembly	
4	501524	Screw	4 required
5	70054	Nut	4 required
6	44089501	Slot Card Plate Assembly	Included in literature packet
7	70208801	Mounting Plate	
8	70334201	Card Reader Overlay	Black; Included in literature packet
	70334301	Card Reader Overlay	Gray; Included in literature packet
	70511001	Overlay	P models; With card slot
9	70414101	Foam Gasket	

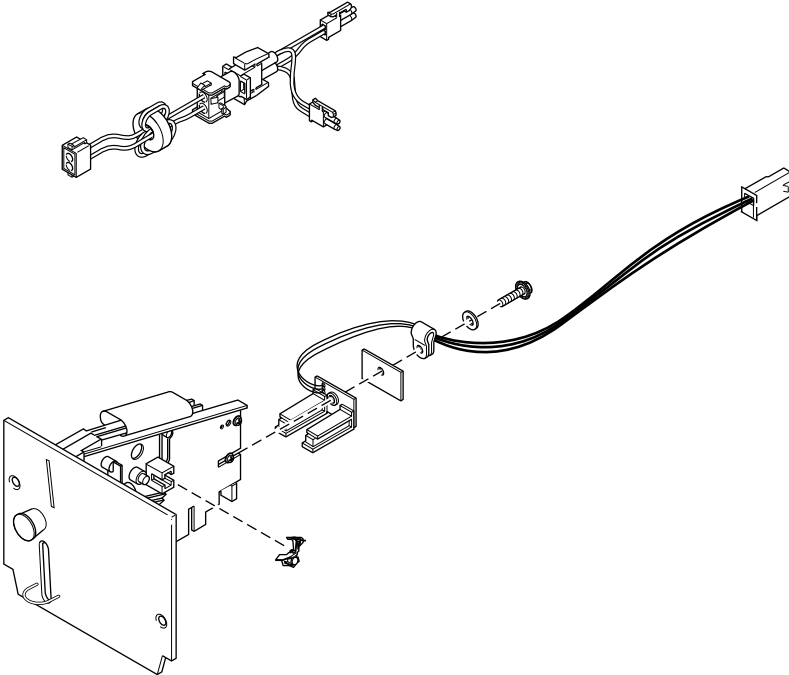


# Coin Drops

REF	PART NO.	DESCRIPTION	COMMENTS
1	38725	Coin Identification Paper	
2	70294103P	Electronic Coin Drop Assembly	United Kingdom (default) and Europe
	70294104	Electronic Coin Drop Assembly	Euro (default), Denmark and Norway
	70294105P	Electronic Coin Drop Assembly	Australian (default), New Zealand, Hong Kong, South Korea and Malaysia
	70294106	Electronic Coin Drop Assembly	Mexico (default), Ecuador and USA dollar
	70294107	Electronic Coin Drop Assembly	Lithuania (default), Latvia and Europe
	70294116	Electronic Coin Drop Assembly	Malaysia (default) and China
	70294117	Electronic Coin Drop Assembly	Russia; 5.00 and 10.00
	70294119	Electronic Coin Drop Assembly	Thailand; 1, 5 and 10 Baht
	70294120	Electronic Coin Drop Assembly	Chile; Chilean peso
	70294121	Electronic Coin Drop Assembly	Singapore
	70441601P	Coin Drop	USA; \$.25; Single
	70256402P	Coin Drop	USA; \$.25 and \$1.00; Dual
	70429001	Coin Drop	B models; USA
	38475	Coin Drop Assembly	Japan; 100 yen
	38519	Coin Drop Assembly	Japan; 100 and 500 yen
	38467	Coin Drop Assembly	Australia; .20 and 1.00
	70447301	Coin Drop Assembly	Australia; 1.00 and 2.00
	70482401	Coin Drop Assembly	New Zealand; 1.00 and 2.00
	39748	Coin Drop	Token; Jeton; Grooves on the face of the token; CE models
	210195	Coin Drop Assembly	Euro; .20 and 1.00
	210196	Coin Drop Assembly	Euro; .50 and 1.00
	70283102	Coin Drop Assembly	Euro; .20 and .50
	70294111	Electronic Coin Drop Assembly	Euro; .10, .20, .50, 1.00 and 2.00
	38462P	Coin Drop Assembly	Token; 118-1; .880 diameter x .079 thick; Brass
	38463	Coin Drop Assembly	Token; 118-5; .990 diameter x .081 thick; Silver
	70471601	Coin Drop Assembly	Token; 7K
	38464P	Coin Drop Assembly	Canada; .25
70441602	Coin Drop Assembly	Canada; .25 and 1.00	
38472	Coin Drop Assembly	England; 20 pence and 1 pound	
38521	Coin Drop Assembly	Korea; 100 and 500 won	
38963P	Coin Drop	Token 118-16 not available; Replacement for 38963P Coin Drop only	
39157	Coin Drop Assembly	Israel; Shekel	
CK077	Coin Drop Kit	Taiwan; 10 NT	
70281102	Coin Drop Assembly	Taiwan; Dual drop	
CK114	Coin Drop Assembly	Singapore; Old 1.00	
CK123	Coin Drop Assembly	Singapore; New 1.00	
3	200674P	Opto Coupler	
4	70286101P	Coin Drop Switch	B, C and I models
5	44039701P	Coin Drop Assembly	USA; \$.25; DO, DV, DX and RD control suffixes
	44039702	Coin Drop Assembly	Mexico; 2 peso; DO, DV, DX and RD control suffixes
	44039703	Coin Drop Assembly	Token; .880; DO, DV, DX and RD control suffixes
	44039704	Coin Drop Assembly	Japan; 100 yen; DO, DV, DX and RD control suffixes
	44039705	Coin Drop Assembly	England; 20 pence; DO, DV, DX and RD control suffixes
	44039706	Coin Drop Assembly	Token; .800; DO, DV, DX and RD control suffixes
	44039707	Coin Drop Assembly	England; 50 pence; DO, DV, DX and RD control suffixes
6	201595P	Wire Guard	

# Coin Drop Kits

All Models Except U Models



TMB2738PA\_70421801



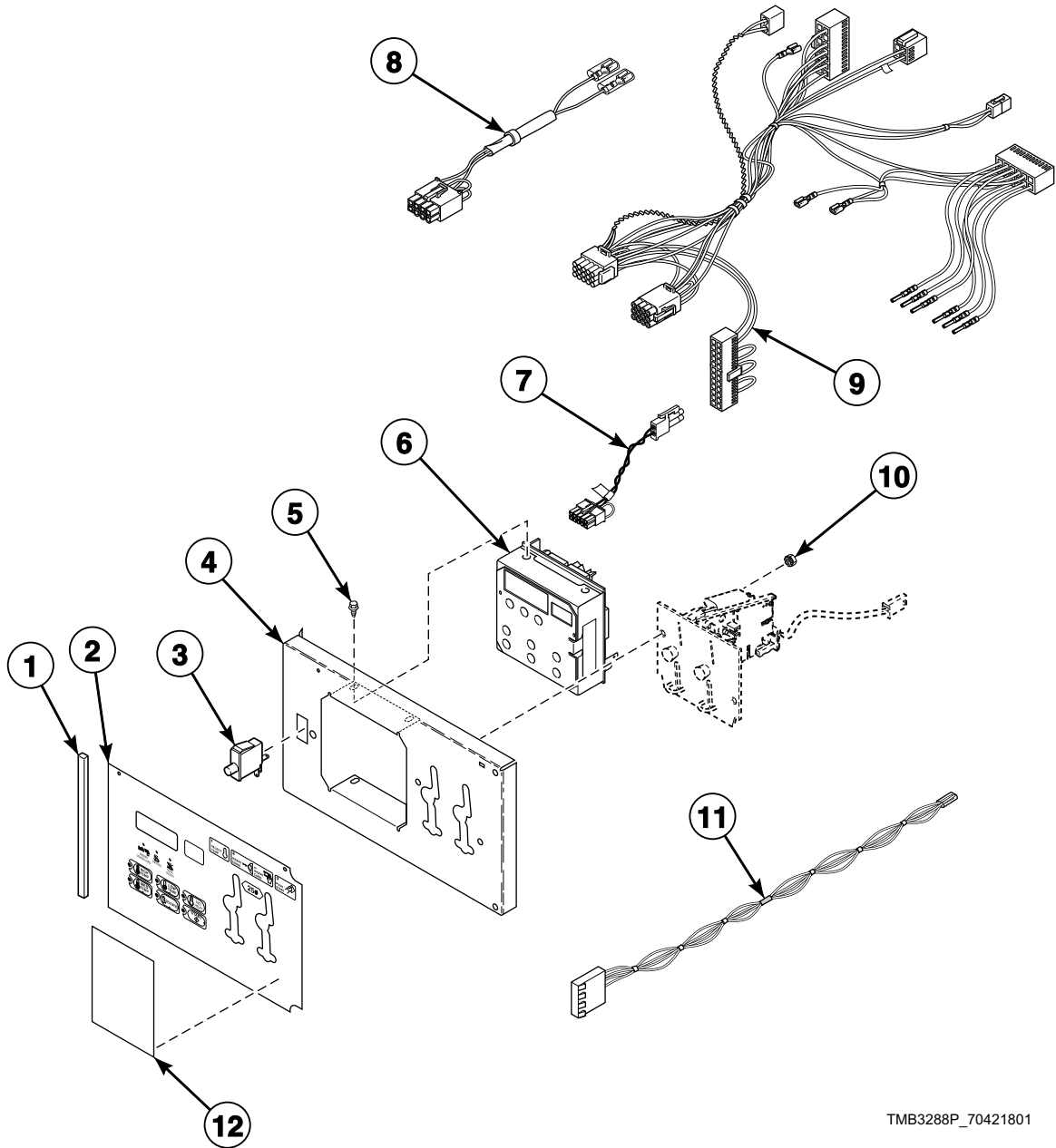
## Coin Drop Kits

REF	PART NO.	DESCRIPTION	COMMENTS
	CK115	Electronic Coin Drop Kit	USA and Canada
	CK099	Electronic Coin Drop Kit	Australia (default), New Zealand, Hong Kong, South Korea and Malaysia
	CK100	Electronic Coin Drop Kit	United Kingdom (default), and Europe
	CK101	Electronic Coin Drop Kit	Euro (default), Denmark and Norway
	CK103	Electronic Coin Drop Kit	Lithuania (default), Latvia and Europe
	CK108	Electronic Coin Drop Kit	South Africa
	CK109	Electronic Coin Drop Kit	Euro
	CK113	Electronic Coin Drop Kit	Japan and Taiwan
	CK116	Electronic Coin Drop Kit	Malaysia (default) and China
	CK117	Electronic Coin Drop Kit	Russia
	CK118	Electronic Coin Drop Kit	Philippine
	CK119	Electronic Coin Drop Kit	Thailand
	CK120	Electronic Coin Drop Kit	Chile
	CK121	Electronic Coin Drop Kit	Singapore
	CK122	Coin Drop Kit	New Zealand; 1.00 and 2.00

# Coin Drop Components for Quantum Control

M and S Models

Models with LB, LC, LK, LL, LW, LX, WB, WC, WK, WL, WW and WX Control Suffixes



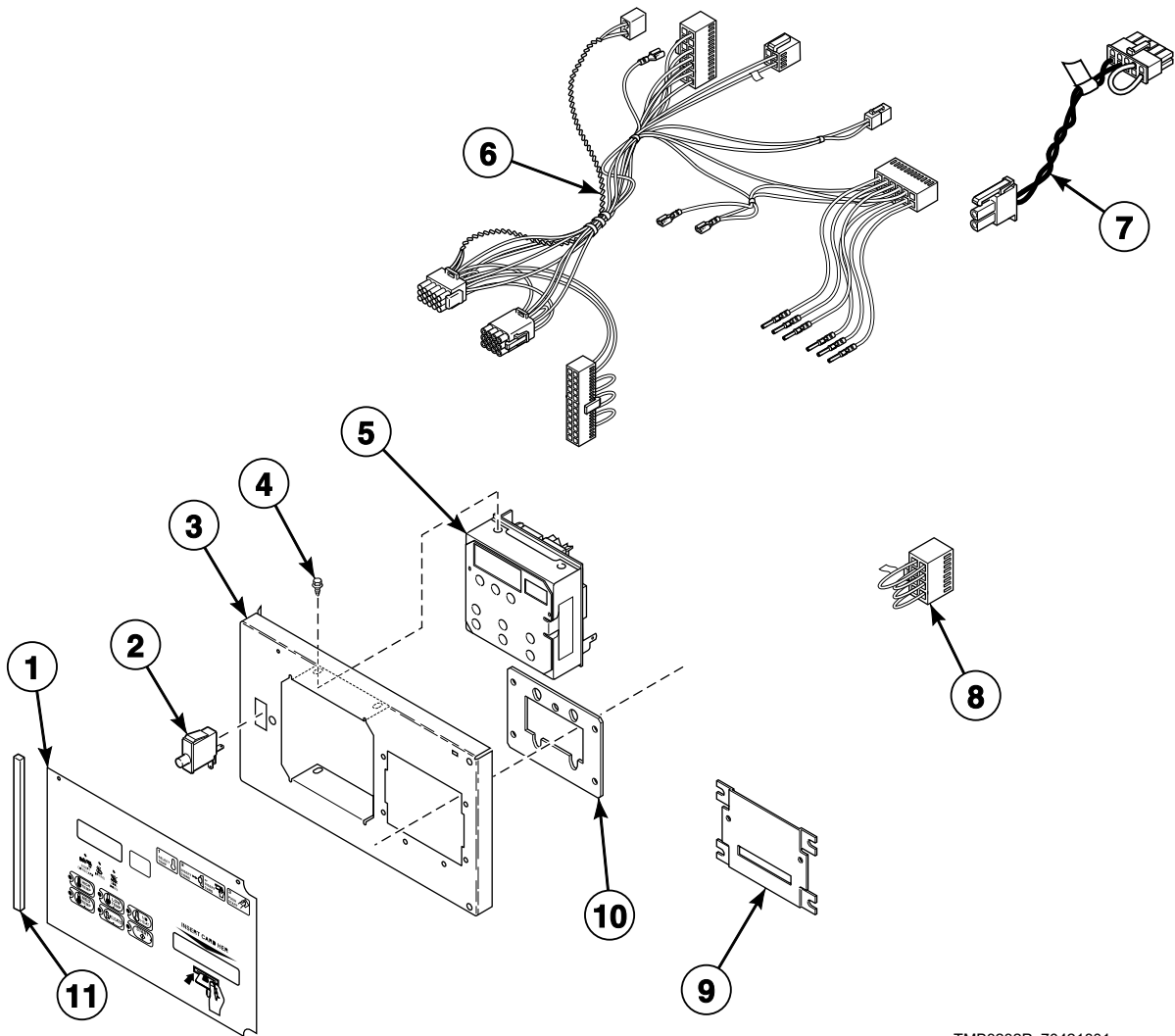
TMB3288P\_70421801

## Coin Drop Components for Quantum Control

REF	PART NO.	DESCRIPTION	COMMENTS
	NK208	Network Retrofit Kit	LC and LX control suffixes; Wired
	NK220	Network Controller Kit	LC and LX control suffixes; Wired
	NK301	Wireless Network Kit	LC and LX control suffixes; Wireless
	NK320	Ethernet Gateway Kit	LC and LX control suffixes; Wireless
	NK330	USB Gateway Kit	LC and LX control suffixes; Wireless
	203346	USB IR Interface Kit	
<b>1</b>	70414101	Foam Gasket	
<b>2</b>	44194801	Control Overlay	Model ST050D
	70449501	Control Overlay	Model ST050D; M models
	70410001	Control Overlay	All models except M models and ST050D; Single drop
	70410002	Control Overlay	All models except M models and ST050D; Dual drop
<b>3</b>	70413301	Pushbutton Switch	
<b>4</b>	70291001P	Control Plate Kit	
<b>5</b>	501524	Screw	4 required for mounting control
<b>6</b>	70450501P	Control Assembly	Nonreversing
	70450503	Control Assembly	Reversing
<b>7</b>	70324604	Jumper Calibration Wire	
<b>8</b>	70364104P	Coin Vault Switch Harness	Non-CE models
<b>9</b>	70410401P	Control Panel Harness	
<b>10</b>	29786	Nut	2 required
<b>11</b>	70484601	Central Pay Harness	LK, LL, WK and WL control suffixes
<b>12</b>	39564	Coin Drop Overlay	LK, LL, WK and WL control suffixes; Cover

# Card Reader Components for Quantum Control

M and S Models  
Models with LY, LZ, WY and WZ Control Suffixes



TMB3232P\_70421801

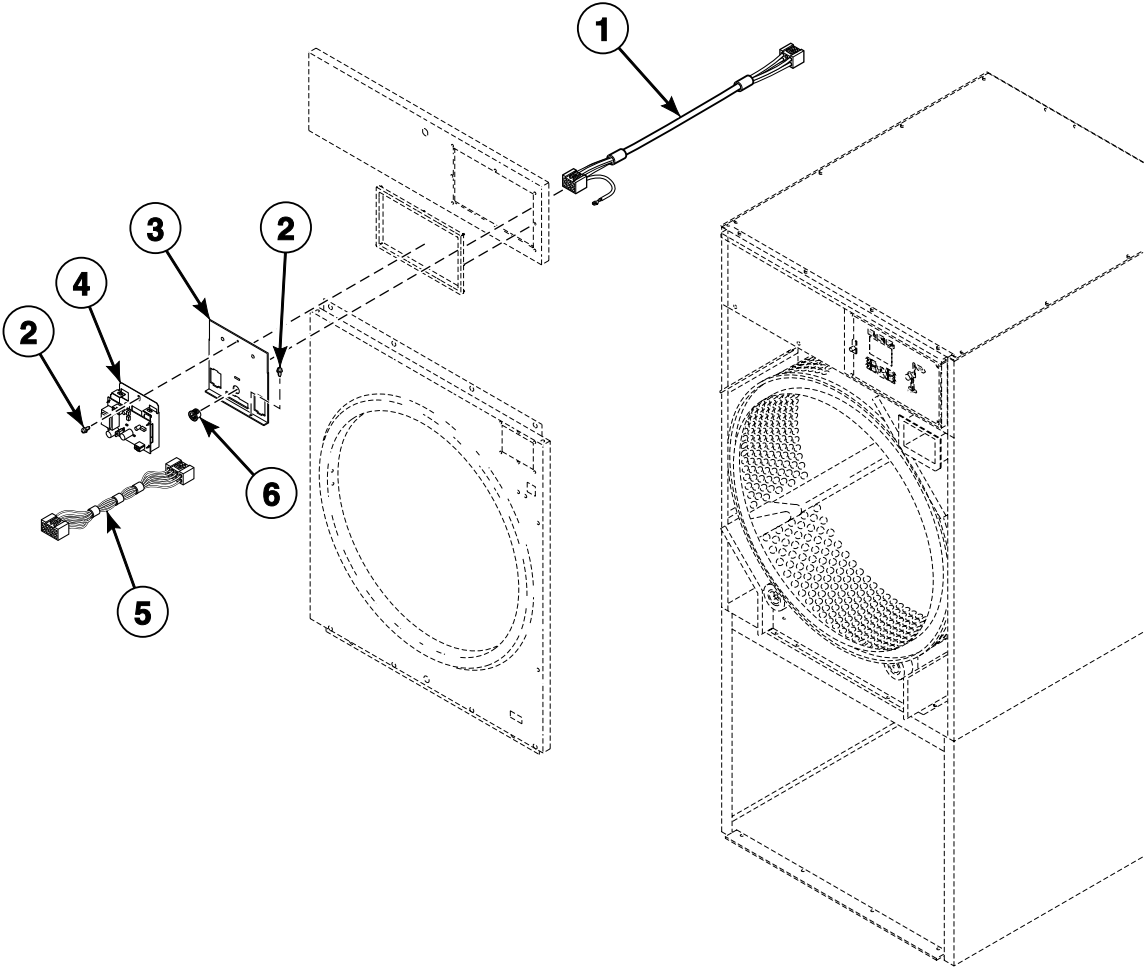
## Card Reader Components for Quantum Control

REF	PART NO.	DESCRIPTION	COMMENTS
	NK208	Network Retrofit Kit	LY control suffix; Wired
	NK220	Network Controller Kit	LY control suffix; Wired
	NK301	Wireless Network Kit	LY control suffix; Wireless
	NK320	Ethernet Gateway Kit	LY control suffix; Wireless
	NK330	USB Gateway Kit	LY control suffix; Wireless
	203346	USB IR Interface Kit	
<b>1</b>	70410003	Overlay	
<b>2</b>	70413301	Pushbutton Switch	
<b>3</b>	70348801	Control Plate Assembly	
<b>4</b>	501524	Screw	4 required
<b>5</b>	70450501P	Control Assembly	Nonreversing
	70450503	Control Assembly	Reversing
<b>6</b>	70410401P	Control Panel Harness	
<b>7</b>	70324604	Jumper Calibration Wire	
<b>8</b>	70364103	Bypass Harness	Non-CE models
<b>9</b>	44089501	Slot Card Plate Assembly	
<b>10</b>	70208801	Mounting Plate	
<b>11</b>	70414101	Foam Gasket	

# Network Board for Quantum Control

M and S Models

Models with WB, WC, WW, WX, WY and WZ Control Suffixes



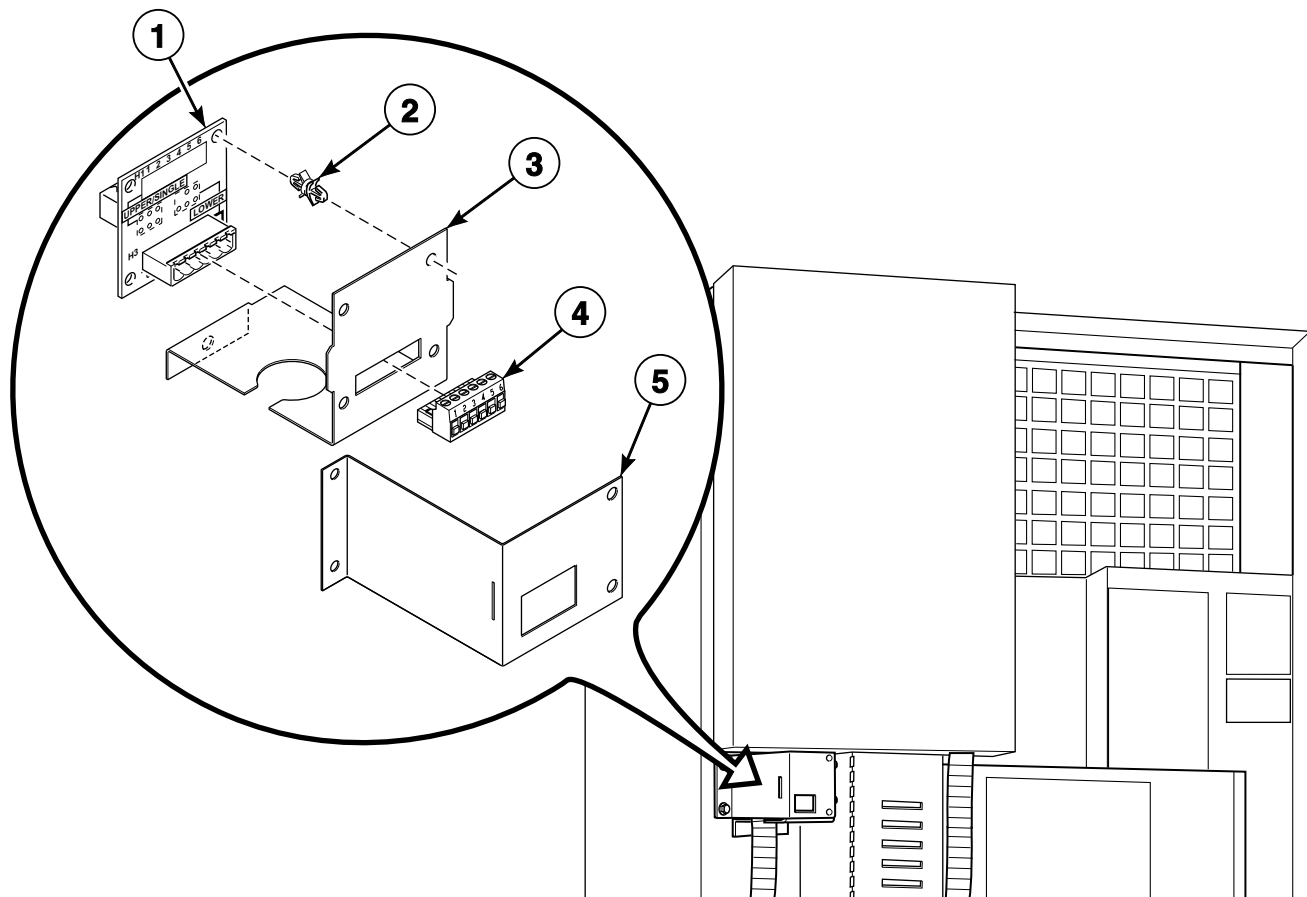
TMB2954P\_70421801

# Network Board for Quantum Control

REF	PART NO.	DESCRIPTION	COMMENTS
	800246	Communication Wire Harness Assembly	
1	44141801P	Network Harness	
2	430497	Screw	
3	70307002	Control Housing Cover	
4	201341	Network Board Assembly	
5	44088501P	Network Wire Harness Assembly	
6	M400770	Snap Bushing	

# Network Connection for Quantum

M and S Models  
Models with WC, WX and WY Control Suffixes



TMB2955P\_70421801



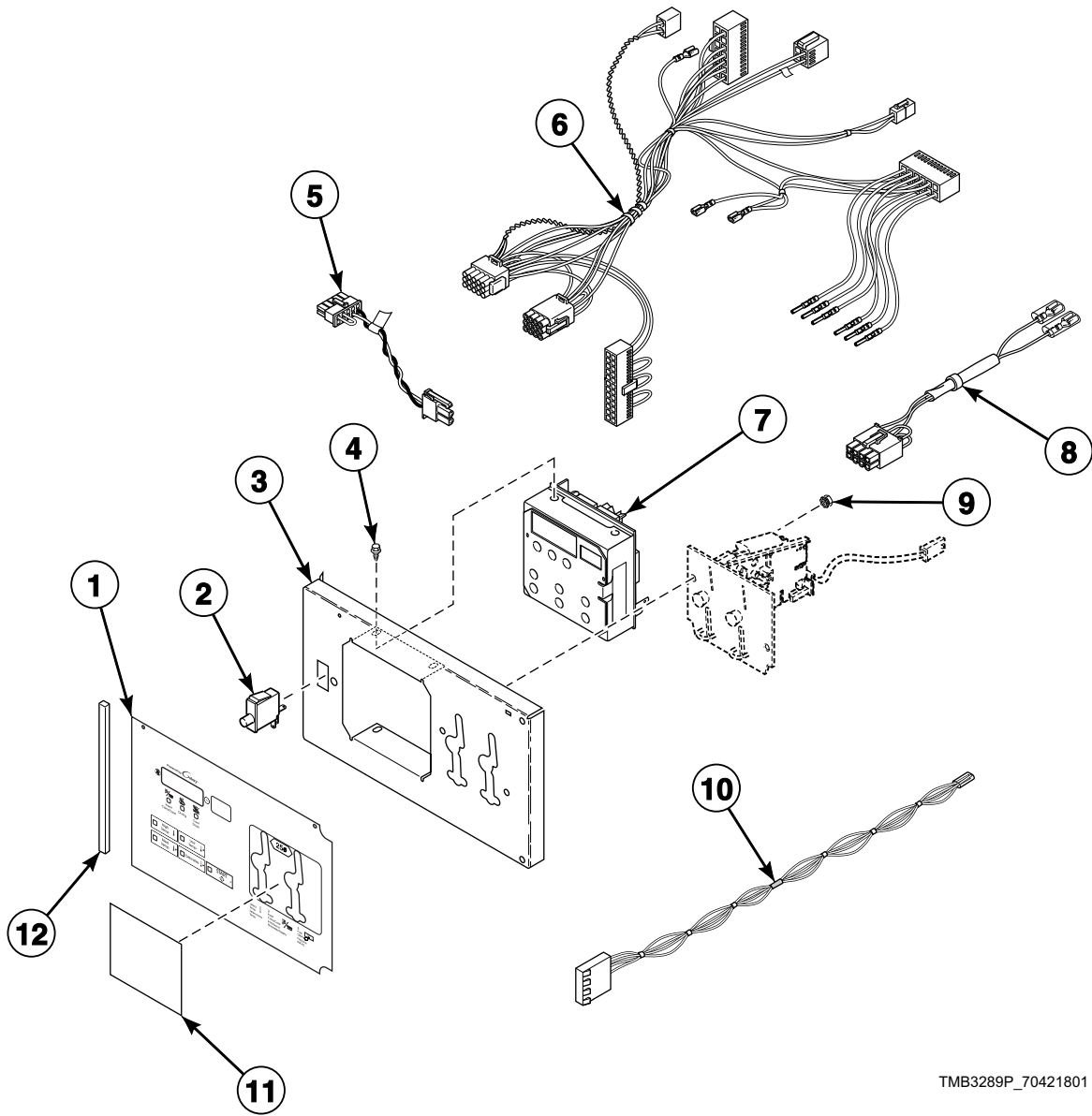
## Network Connection for Quantum

REF	PART NO.	DESCRIPTION	COMMENTS
	201341	Network Board Assembly	
	210157P	Network Board	For desktop PC
	210165	Network Cable	For laptop PC
	210016P	Network Board Assembly	
	210097	Communication Board	
	505905P	Control Kit	
<b>1</b>	210095P	Communication Board	
<b>2</b>	210098	PC Board Standoff	4 required
<b>3</b>	44143601	Network Board Bracket	
<b>4</b>	210099	Communication Connector	
<b>5</b>	44143701	Network Board Cover	

# Coin Drop Components for Galaxy 600 Control

H Models

Models with KB, KC, KK, KL, KW and KX Control Suffixes



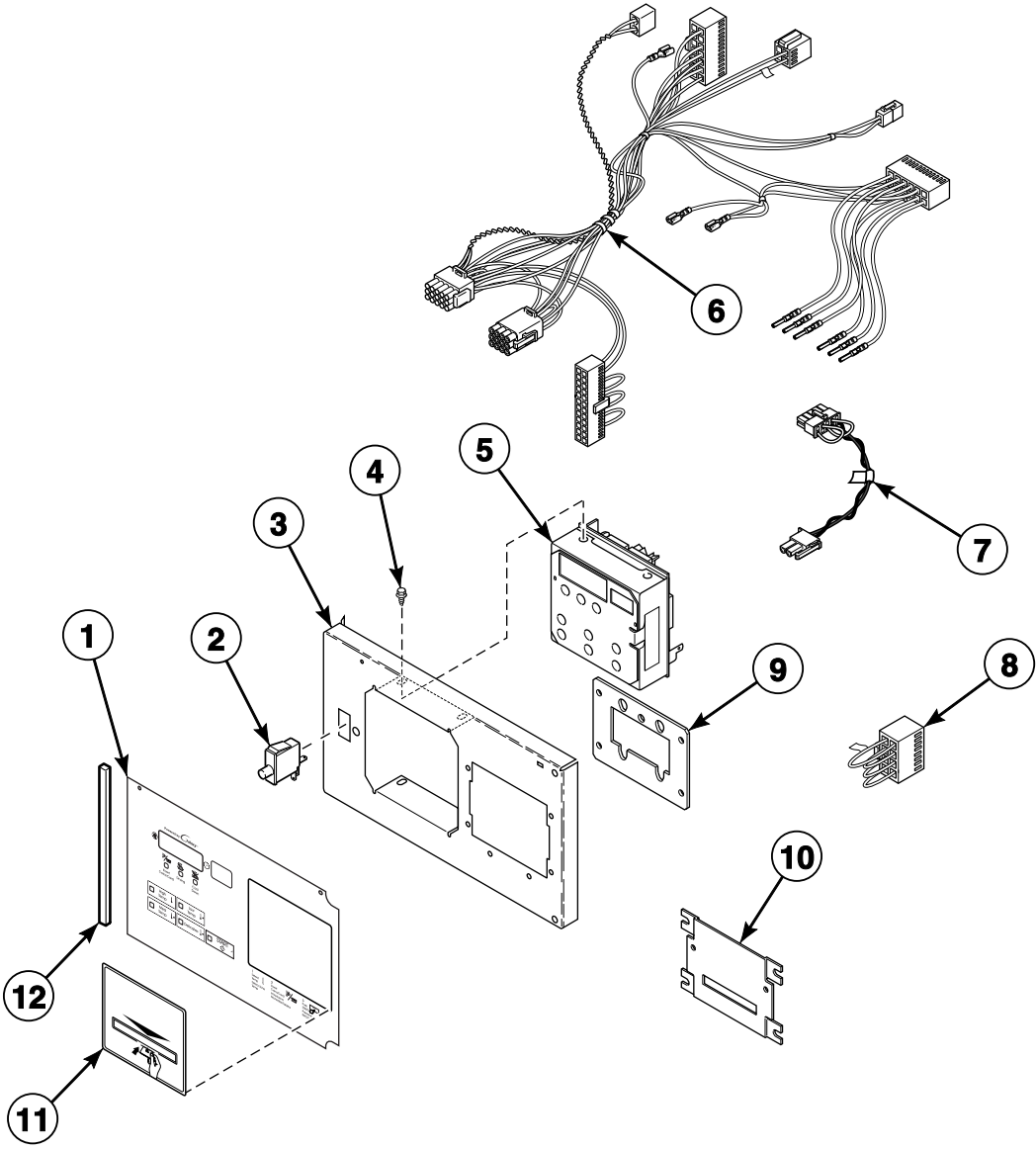
TMB3289P\_70421801

## Coin Drop Components for Galaxy 600 Control

REF	PART NO.	DESCRIPTION	COMMENTS
	203346	USB IR Interface Kit	
1	70473001	Control Overlay	Single drop; Gray
	70473002	Control Overlay	Dual drop; Gray
	70504501	Overlay	Single drop; Gray/green
	70504502	Overlay	Dual drop; Gray/green
	70504601	Overlay	Single drop; Green
	70504602	Overlay	Dual drop; Green
2	70413301	Pushbutton Switch	
3	70291001P	Control Plate Kit	
4	501524	Screw	For mounting item 7
5	70324604	Jumper Calibration Wire	
6	70410401P	Control Panel Harness	
7	70450502P	Control Assembly	Nonreversing
	70450504	Control Assembly	Reversing
8	70364104P	Coin Vault Switch Harness	Non-CE models
9	70054	Nut	
10	70484601	Central Pay Harness	KK and KL control suffixes
11	70246301	Coin Cover Overlay	KK and KL control suffixes; Cover
12	70414101	Foam Gasket	6 inches required; Mounts to front of overlay, even with edge

# Card Reader Components for Galaxy 600 Control

H Models  
Models with KY and KZ Control Suffixes



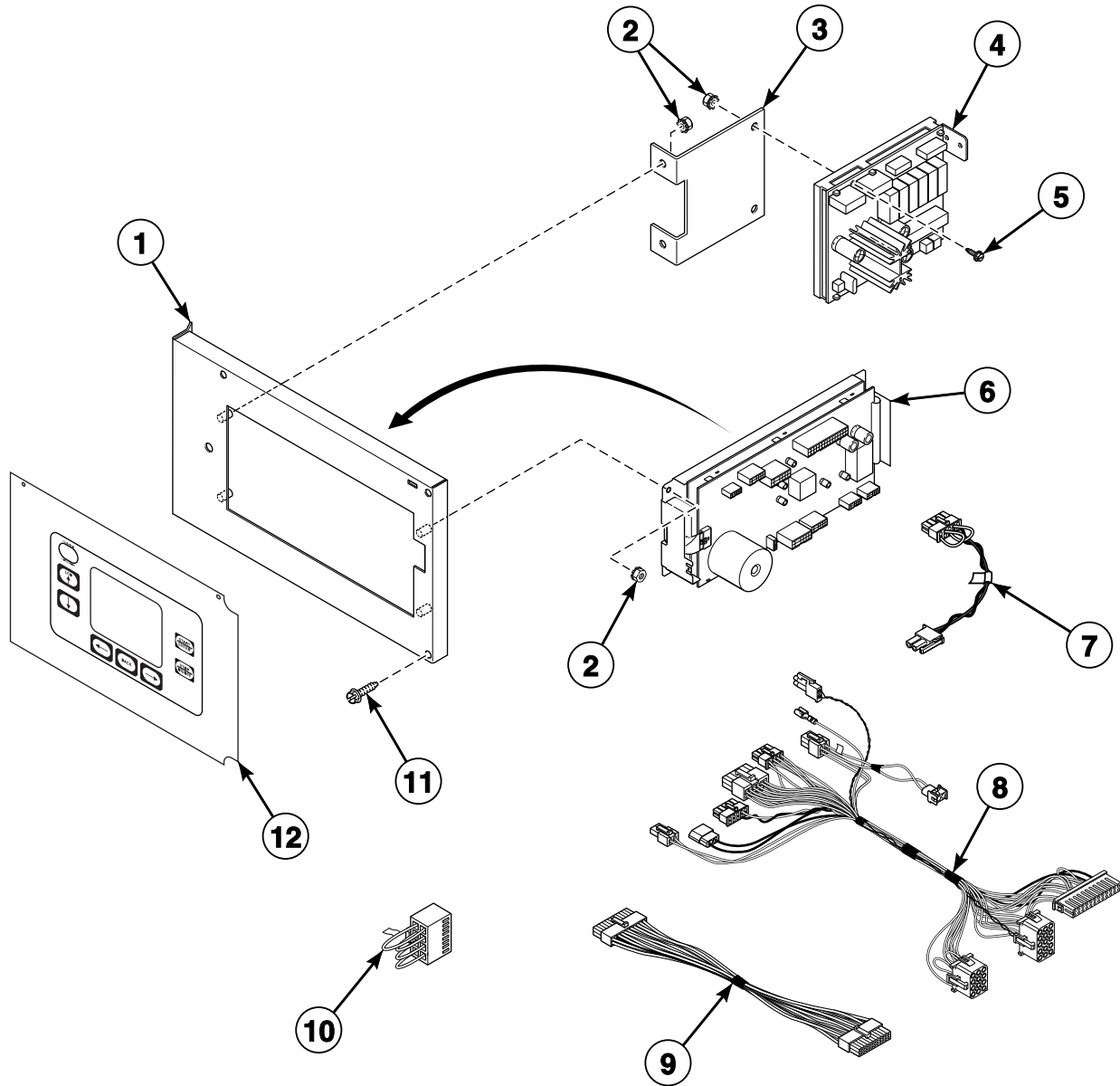
TMB3233P\_70421801

## Card Reader Components for Galaxy 600 Control

REF	PART NO.	DESCRIPTION	COMMENTS
	203346	USB IR Interface Kit	
1	70473003	Control Overlay	Gray
	70504503	Overlay	Gray/green
	70504603	Overlay	Green
2	70413301	Pushbutton Switch	
3	70336501	Control Plate Assembly	
4	501524	Screw	
5	70450502P	Control Assembly	Nonreversing
	70450504	Control Assembly	Reversing
6	70410401P	Control Panel Harness	
7	70324604	Jumper Calibration Wire	
8	70364103	Bypass Harness	Non-CE models
9	70208801	Mounting Plate	
10	44089501	Slot Card Plate Assembly	
11	70334301	Card Reader Overlay	
12	70414101	Foam Gasket	6 inches required; Mounts to front of overlay, even with edge

# UniLinc Control

U Models  
Models with RU and UO Control Suffixes



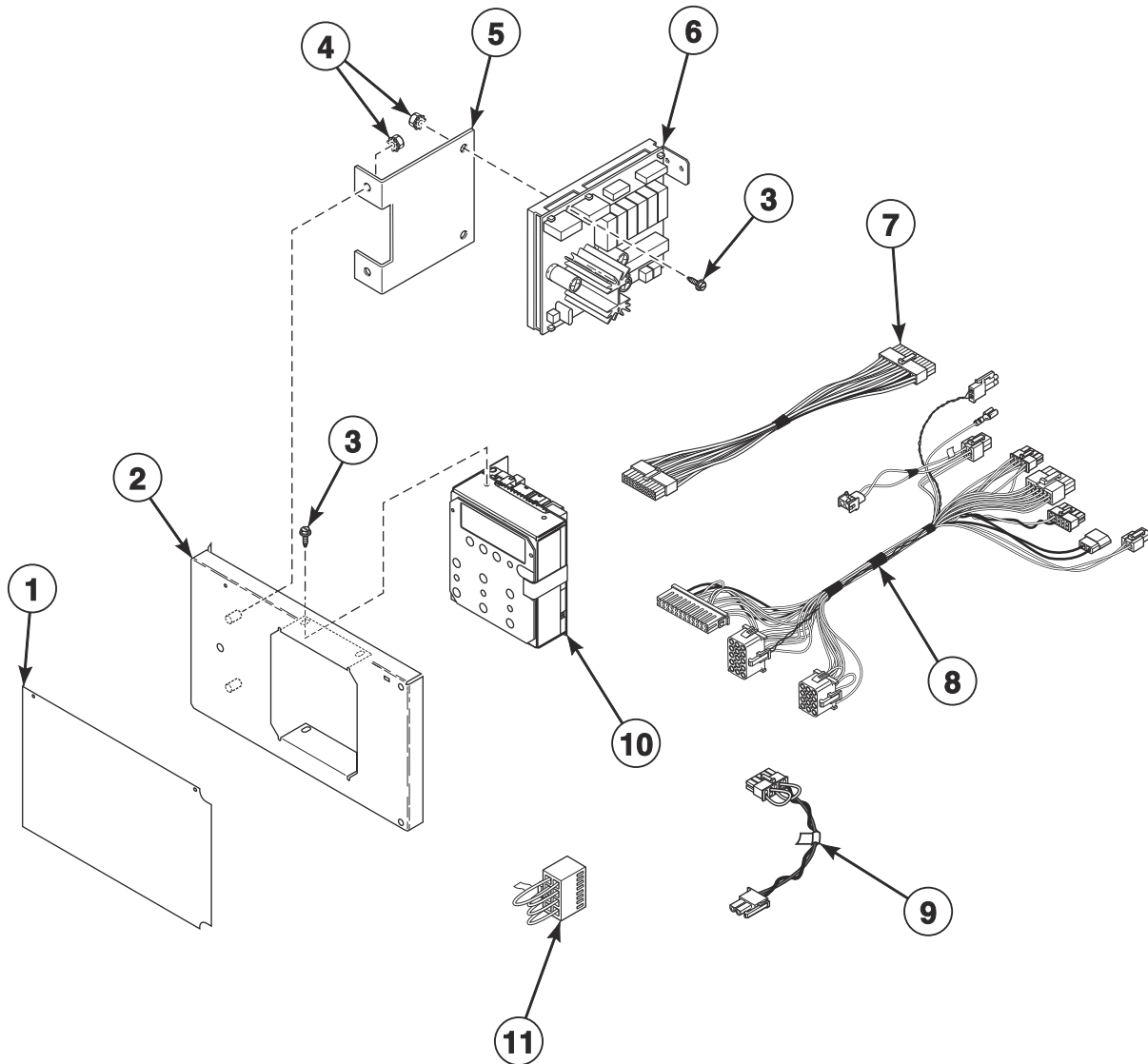
TMB3259P\_70421801

# UniLinc Control

REF	PART NO.	DESCRIPTION	COMMENTS
	NK208	Network Retrofit Kit	Wired
	NK220	Network Controller Kit	Wired
	NK301	Wireless Network Kit	Wireless
	NK320	Ethernet Gateway Kit	Wireless
	NK330	USB Gateway Kit	Wireless
	203346	USB IR Interface Kit	
<b>1</b>	70475601	Control Plate Assembly	
<b>2</b>	70054	Nut	
<b>3</b>	70440601	Output Bracket	
<b>4</b>	70434101P	Control Assembly	
<b>5</b>	501524	Screw	
<b>6</b>	70454001P	Control Assembly	
<b>7</b>	70324604	Jumper Calibration Wire	
<b>8</b>	44240301	Control Panel Harness	Goes from item 6 to main harness
<b>9</b>	44186101	Output Harness	Use between item 4 and item 6
<b>10</b>	70364103	Bypass Harness	Non-CE models
<b>11</b>	70069901	Screw	
<b>12</b>	70432201	Overlay	Models through 8/17/14
	70499001	Overlay	Models starting 8/18/14

# LED OPL Control

B, C, H, I, N, S and U Models  
G, K, L, P and Y Models Starting 1/16/12  
Models with EO and RE Control Suffixes



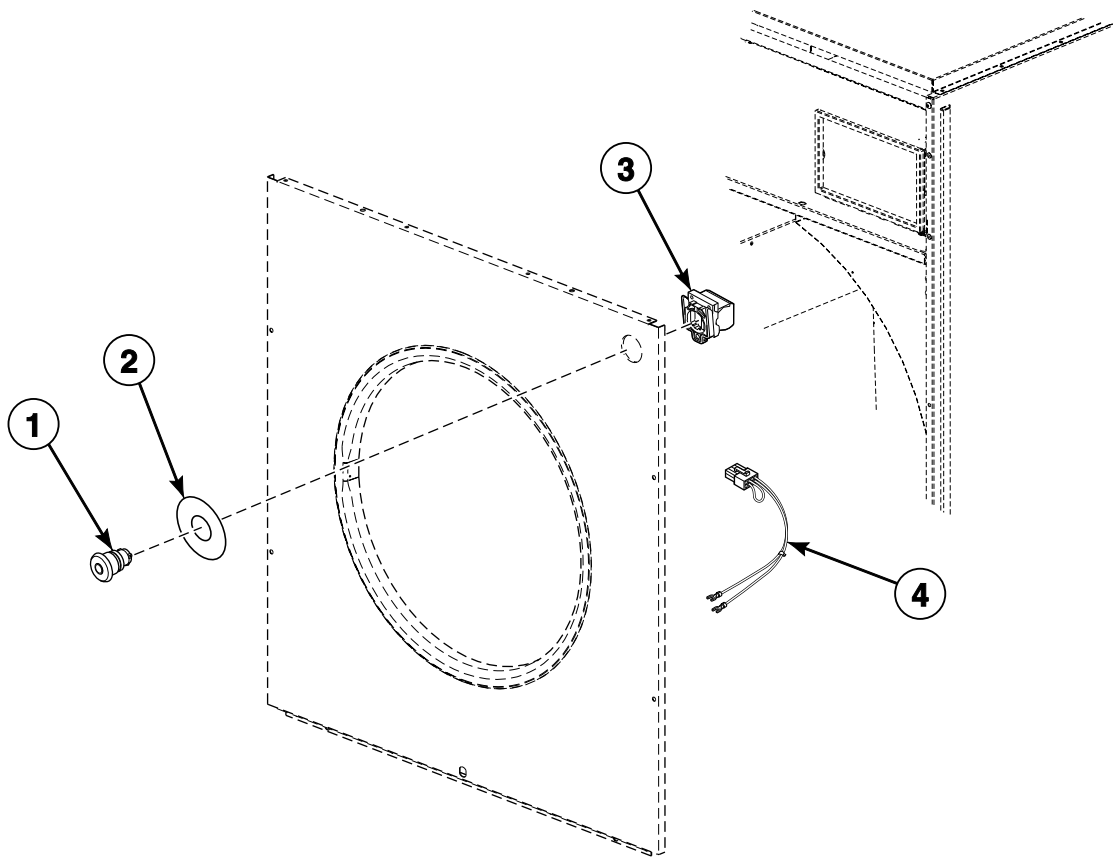
TMB3260P\_70421801



# LED OPL Control

REF	PART NO.	DESCRIPTION	COMMENTS
	203346	USB IR Interface Kit	
1	70445001	Overlay	S models; EO control suffix
	70445002	Overlay	S models; RE control suffix
	70445003	Overlay	H models; EO control suffix
	70445004	Overlay	H models; RE control suffix
	70462402	Overlay	B, C and I models through 7/14/14; EO control suffix
	70462401	Overlay	B, C and I models through 7/14/14; RE control suffix
	70504902	Overlay	B, C and I models starting 7/15/14; EO control suffix
	70504901	Overlay	B, C and I models starting 7/15/14; RE control suffix
	70462702	Overlay	U models; Models through 8/17/14; EO control suffix
	70462701	Overlay	U models; Models through 8/17/14; RE control suffix
	70493702	Overlay	U models; Models starting 8/18/14; EO control suffix
	70493701	Overlay	U models; Models starting 8/18/14; RE control suffix
	70462902	Overlay	G and K models; EO control suffix
	70462901	Overlay	G and K models; RE control suffix
	70472402	Overlay	P models; Models through 9/30/14; EO control suffix
	70472401	Overlay	P models; Models through 9/30/14; RE control suffix
	70508602	Overlay	P models starting 10/1/14 through 5/31/15; L models starting 1/29/15 through 5/31/15; EO control suffix
	70508601	Overlay	P models starting 10/1/14 through 5/31/15; L models starting 1/29/15 through 5/31/15; RE control suffix
	70472202	Overlay	N and Y models; L models through 1/28/15; EO control suffix
	70472201	Overlay	N and Y models; L models through 1/28/15; RE control suffix
70526002	Overlay	L and P models starting 6/1/15; EO control suffix	
70526001	Overlay	L and P models starting 6/1/15; RE control suffix	
2	70440901	Control Plate and Studs Assembly	
3	501524	Screw	
4	70054	Nut	
5	44223101	Output Bracket	
6	70434101P	Control Assembly	
7	44186101	Output Harness	Use between item 5 and item 8
8	44240301	Control Panel Harness	Goes from item 8 to main harness
9	70324604	Jumper Calibration Wire	
10	70454101P	Control Assembly	H, S and U models; L and P models starting 6/1/15
	70437102P	Control Assembly	B, C and I models through 7/14/14
	70503702P	Control Assembly	B, C and I models starting 7/15/14
	70437103P	Control Assembly	P models through 5/31/15; L models starting 1/29/15 through 5/31/15
	70437104P	Control Assembly	G and K models
	70437105P	Control Assembly	N and Y models; L models through 1/28/15
11	70364103	Bypass Harness	Non-CE models

# Emergency Stop Button - CE Models

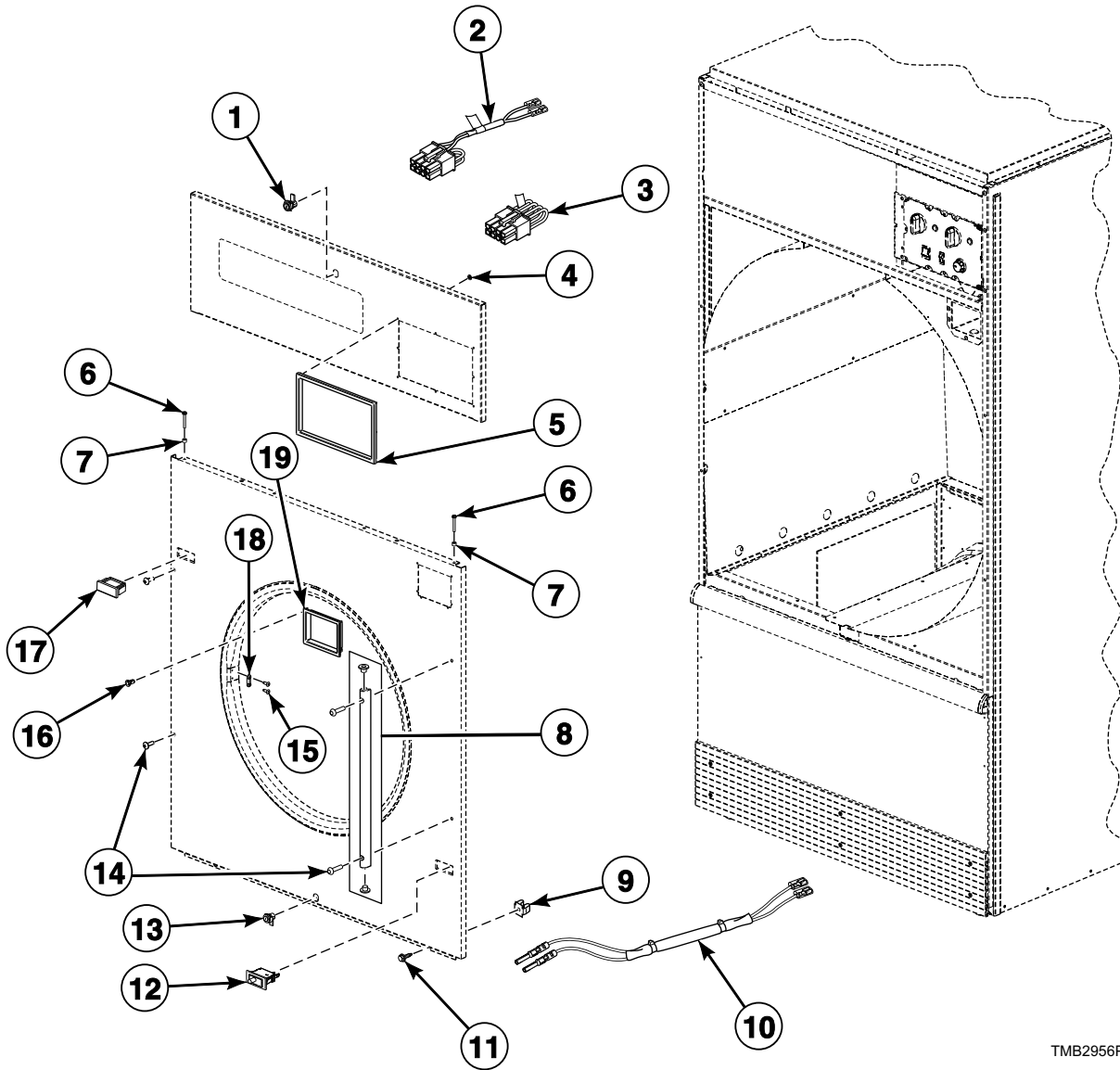


TMB2386P\_70421801

## Emergency Stop Button - CE Models

REF	PART NO.	DESCRIPTION	COMMENTS
1	F200233500	Emergency Stop Pushbutton	
2	44012901	Emergency Stop Label	
3	F200233401P	Contact Block Switch	Models through 8/17/14
	F8069501	Contact Switch	Models starting 8/18/14
	F8538101	Contact Base	Models starting 8/18/14
4	70364105P	Emergency Stop Contact Harness	1 contact
	70364106P	Emergency Stop Harness	2 contacts

# Cabinet Front Components

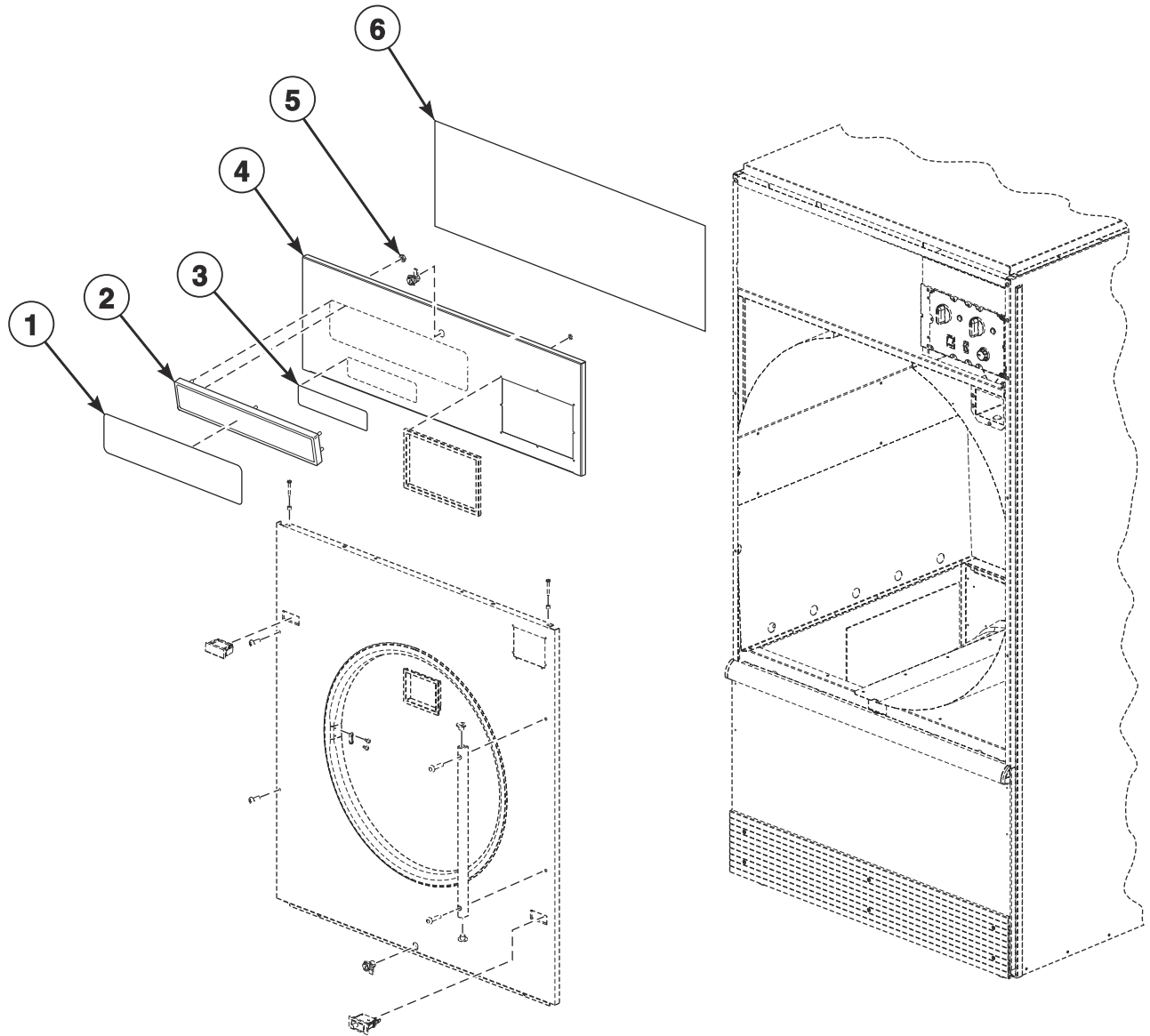


TMB2956P\_70421801

## Cabinet Front Components

REF	PART NO.	DESCRIPTION	COMMENTS
	M4379P4	Tumbler Dolly Kit	
1	44089301P	Lock, Key and Nut Kit	RL001 key code; Control panel; Optional if same key is to be used for control lock
	70155601	Key	RL001
2	70364104P	Coin Vault Switch Harness	Coin
3	70364103	Bypass Harness	OPL
4	M400977	Nut	8 required per control trim
5	44016301	Control Trim	H models
	44016401	Control Trim	G, K, L, M, N, P, S and Y models; U models through 8/17/14; Black
6	70275801	Screw	4 required
7	56079	Panel Locator	2 required
8	44035001	Door Hinge Lug Assembly	C, H, L, M, N, P, S, U and Y models; B and I models through 7/31/11
	44035002	Door Hinge Lug Assembly	G and K models; B and I models starting 8/1/11; Black
9	70030501	Expansion Clip	
10	44137601	Door Switch Harness	
11	M411072	Screw	4 required; Front panel; Bottom
12	70413301	Pushbutton Switch	Door switch
13	44089301P	Lock, Key and Nut Kit	RL001 key code; Lint panel; Optional if same key is to be used for control lock
	70155601	Key	RL001
	44089302P	Lock, Key and Nut Kit	RL002 key code; Lint panel; Standard coin and card models
	70155602	Key	RL002
14	70033502	Screw	4 required for painted panels; 2 required for stainless steel panels in addition to 2 of 70182601 Screw
	70182601	Screw	2 required for stainless steel panels in addition to 2 of 70033502 Screw
15	M400003	Pop Rivet	2 per door latch
16	M400972	Shadow Box Clip	6 required
17	44057801W	Switch Hole Plug	White
	44057801Q	Switch Hole Plug	Bisque
	44057801B	Switch Hole Plug	Black; For stainless steel
	44057801G	Switch Hole Plug	U models starting 8/18/14; P models starting 10/24/14; L models starting 1/28/15; Gray
18	M401223	Door Latch	2 required
19	70117501	Coin Vault Trim	H models; Gray
	70117502	Coin Vault Trim	G, K, L, M, N, P, S and Y models; Black

# Cabinet Panels and Nameplates



TMB3318P\_70421801

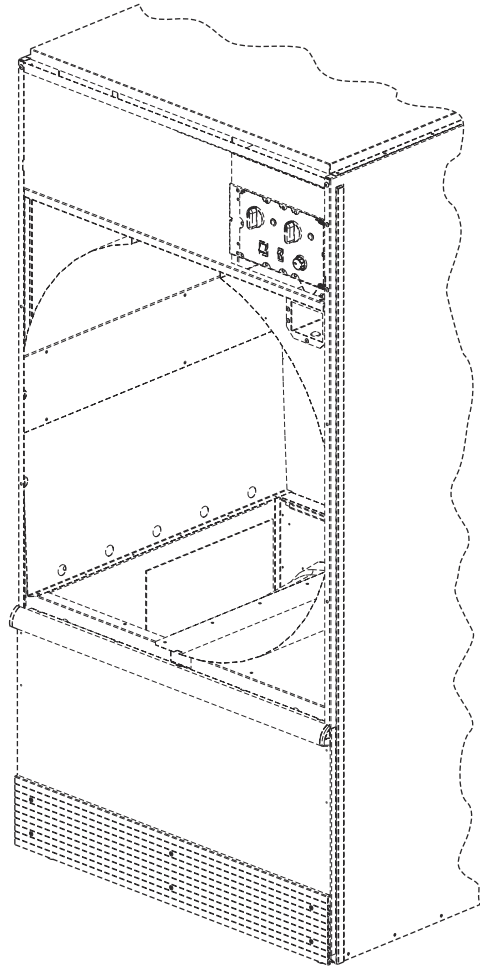
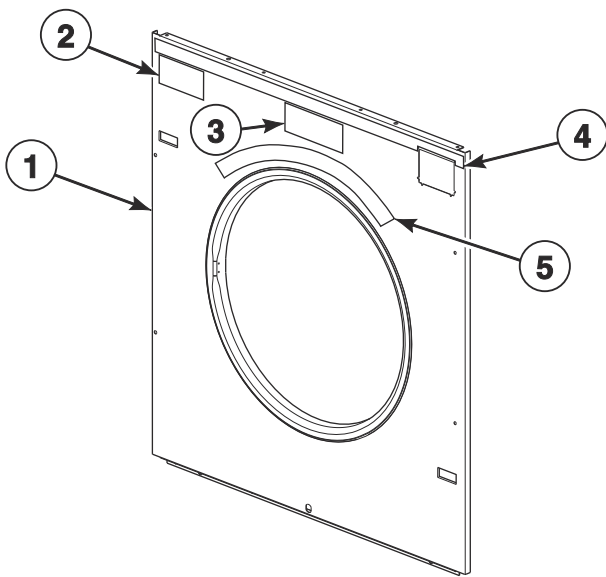
# Cabinet Panels and Nameplates

REF	PART NO.	DESCRIPTION	COMMENTS
	M4776P3	Control Panel and Door Hinge Kit	B and I models; To change from old look to new look
1	44010401	Nameplate	H models
	44010601	Nameplate	S models
	44235401	Nameplate Overlay	U models; Models through 8/17/14
	F8443102	Nameplate	U models; Models starting 8/18/14
	44046801	Nameplate	B and I models; Models through 7/9/12
	B12389801	Nameplate	B and I models; Models starting 7/10/12
	44062901	Nameplate	C models
	70380701	Nameplate Overlay	P models; Models through 9/30/14
	70509601	Nameplate	P models; Models starting 10/1/14
	70243901	Nameplate	L models; Models through 3/27/15
	70522001	Nameplate	L models; Models starting 3/28/15
	70410201	Nameplate Overlay	G models; OPL
	70411401	Nameplate Overlay	G models; Coin and card
	44130301	Nameplate Overlay	K models; OPL
	44104501	Nameplate Overlay	Y models
2	70117401	Nameplate Bezel	L, P and S models
3	44129904	Nameplate	C models
4	44040001*P	Control Panel	C models; B and I models through 7/31/11; 3O, 3V, 3X, QT, R3 and RQ control suffixes
	44040002	Control Panel	C models; B and I models through 7/31/11; 3O, 3V, 3X, QT, R3 and RQ control suffixes; Stainless steel
	44040003*	Control Panel	C models; I models through 7/31/11; DO, DV and RD control suffixes
	44040004	Control Panel	C models; I models through 7/31/11; DO, DV and RD control suffixes; Stainless steel
	44040007B	Control Panel	B and I models; Models starting 8/1/11 through 7/9/12
	44040008B	Control Panel	B and I models; Models starting 7/10/12
	44000117BP	Control Panel	L models; Models through 3/27/15
	44040005*	Control Panel	G and K models; U models with RU and UO control suffixes
	44040006	Control Panel	G and K models through 3/31/15; U models through 3/31/15 with RU and UO control suffixes; Stainless steel
	44040013	Control Panel	G and K models; Models starting 4/1/15; Stainless steel
	44000117*P	Control Panel	H, S and Y models; P models through 9/30/14; U models with all other control suffixes
	44000118P	Control Panel	H, S and Y models through 3/31/15; P models through 9/30/14; U models through 8/17/14 with all other control suffixes; Stainless steel
	44000124	Control Panel	H, S and Y models starting 4/1/15; Stainless steel
	44040009LG	Control Panel	U models; Light gray
	44040010	Control Panel	U models; Models starting 8/18/14 through 3/31/15; Stainless steel
	44040014	Control Panel	U models; Models starting 4/1/15; Stainless steel
	44040011*	Control Panel	U models; Models starting 8/18/14
	44000121DG	Control Panel	P models starting 10/1/14; L models starting 3/28/15; Dark gray
	44000122*	Control Panel	M and N models
	44000123	Control Panel	M models; Models through 3/31/15; Stainless steel
44000125	Control Panel	M models; Models starting 4/1/15; Stainless steel	
5	M400977	Nut	P and S models 6 required; U models starting 8/18/14 5 required
6	44020601	Insulation	Used inside access panel

\* Add Letter To Designate Color. Q - Bisque W - White

NOTE: All front panel assemblies include M401223 Door Latch and 2 of M400003 Pop Rivet

# Front Panel Assemblies



TMB3425P\_70421801



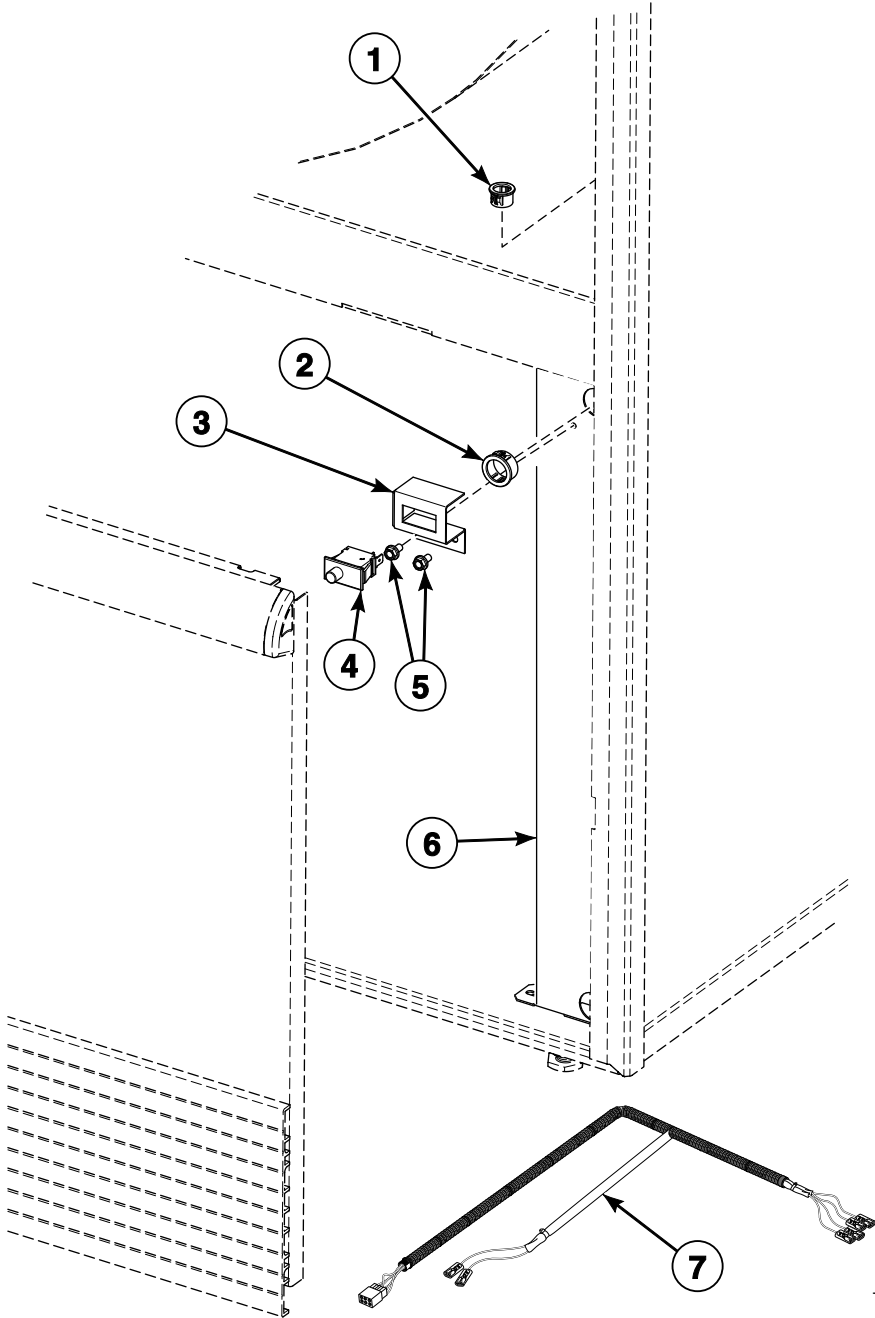
# Front Panel Assemblies

REF	PART NO.	DESCRIPTION	COMMENTS
1	44077901*P	Front Panel Assembly	P models through 9/30/14; L models through 1/28/15; All other models except I models; Coin
	44077902P	Front Panel Assembly	P models through 9/30/14; L models through 1/28/15; All other models through 3/31/15; Coin; Stainless steel
	44077917	Front Panel Assembly	All models; Except P models starting 4/1/15; Coin; Stainless steel
	44077903WP	Front Panel Assembly	P models through 9/30/14; L models through 1/28/15; All other models except I models; Card
	44077904P	Front Panel Assembly	P models through 9/30/14; L models through 1/28/15; All other models through 3/31/15; Card; Stainless steel
	44077918	Front Panel Assembly	All models; Except P models starting 4/1/15; Card; Stainless steel
	44077905*P	Front Panel Assembly	Non-CE P models through 9/30/14; Non-CE L models through 1/28/15; All other non-CE models except I and M models; OPL
	44077906P	Front Panel Assembly	Non-CE P models through 9/30/14; Non-CE L models through 1/28/15; All other non-CE models except M models through 3/31/15; OPL; Stainless steel
	44077919	Front Panel Assembly	All Non-CE models except M, P and U models starting 4/1/15; OPL; Stainless steel
	44052517LG	Front Panel	Non-CE U models; OPL; Light gray
	44077907*P	Front Panel Assembly	CE P models through 9/30/14; CE L models through 1/28/15; All other CE models; OPL
	44077908P	Front Panel Assembly	CE P models through 9/30/14; CE L models through 1/28/15; All other CE models through 3/31/15; OPL; Stainless steel
	44077920	Front Panel Assembly	All CE models except P and U models starting 4/1/15; OPL; Stainless steel
	44052518LG	Front Panel	CE U models; Models starting 8/18/14; OPL; Light gray
	44052517DG	Front Panel	Non-CE P models starting 10/1/14; Non-CE L models starting 1/29/15; OPL; Dark gray
	44052518DG	Front Panel	CE P models starting 10/1/14; CE L models starting 1/29/15; OPL; Dark gray
	44052519DG	Front Panel	P models starting 10/1/14; L models starting 1/29/15; Coin; Dark gray
44052520DG	Front Panel	P models starting 10/1/14; L models starting 1/29/15; Card; Dark gray	
2	70414001	Label	G and K models; Coin
3	44128901	Fire Suppression System Label	G and K models
	44190901	Label	L and P models
	44108201	Label	B, C, H, I, M, S and U models
4	70399402	Access Panel Trim	G and K models
5	M410892	Warning Label	

\* Add Letter To Designate Color. Q - Bisque W - White

NOTE: All front panel assemblies include M401223 Door Latch and 2 of M400003 Pop Rivet

# Lint Panel Switch Assembly

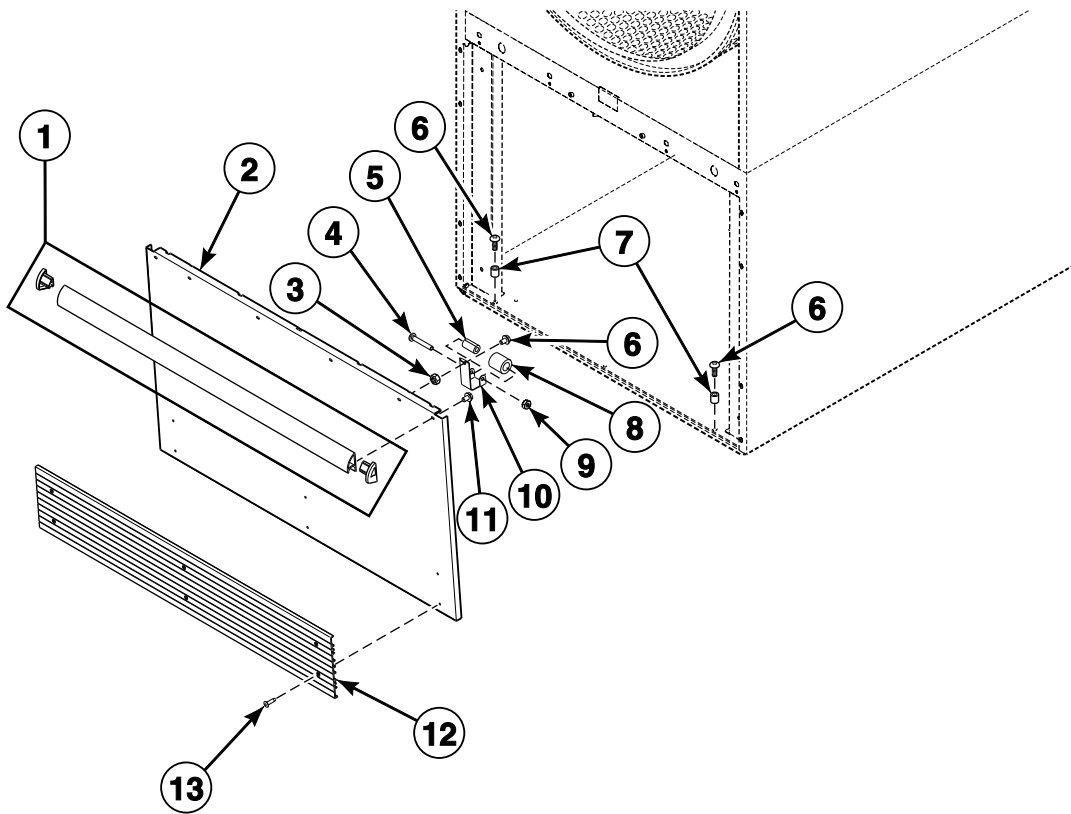


TMB2945P\_70421801

## Lint Panel Switch Assembly

REF	PART NO.	DESCRIPTION	COMMENTS
1	M411826	Snap Bushing	
2	M400770	Snap Bushing	
3	44118601	Lint Panel Switch Bracket	
4	70413401	Switch Assembly	
5	430497	Screw	
6	44001201	Front Pillar	
7	44137501P	Base Harness Assembly	Also connects to thermistor and cabinet thermostat

# Lower Cabinet Front Components



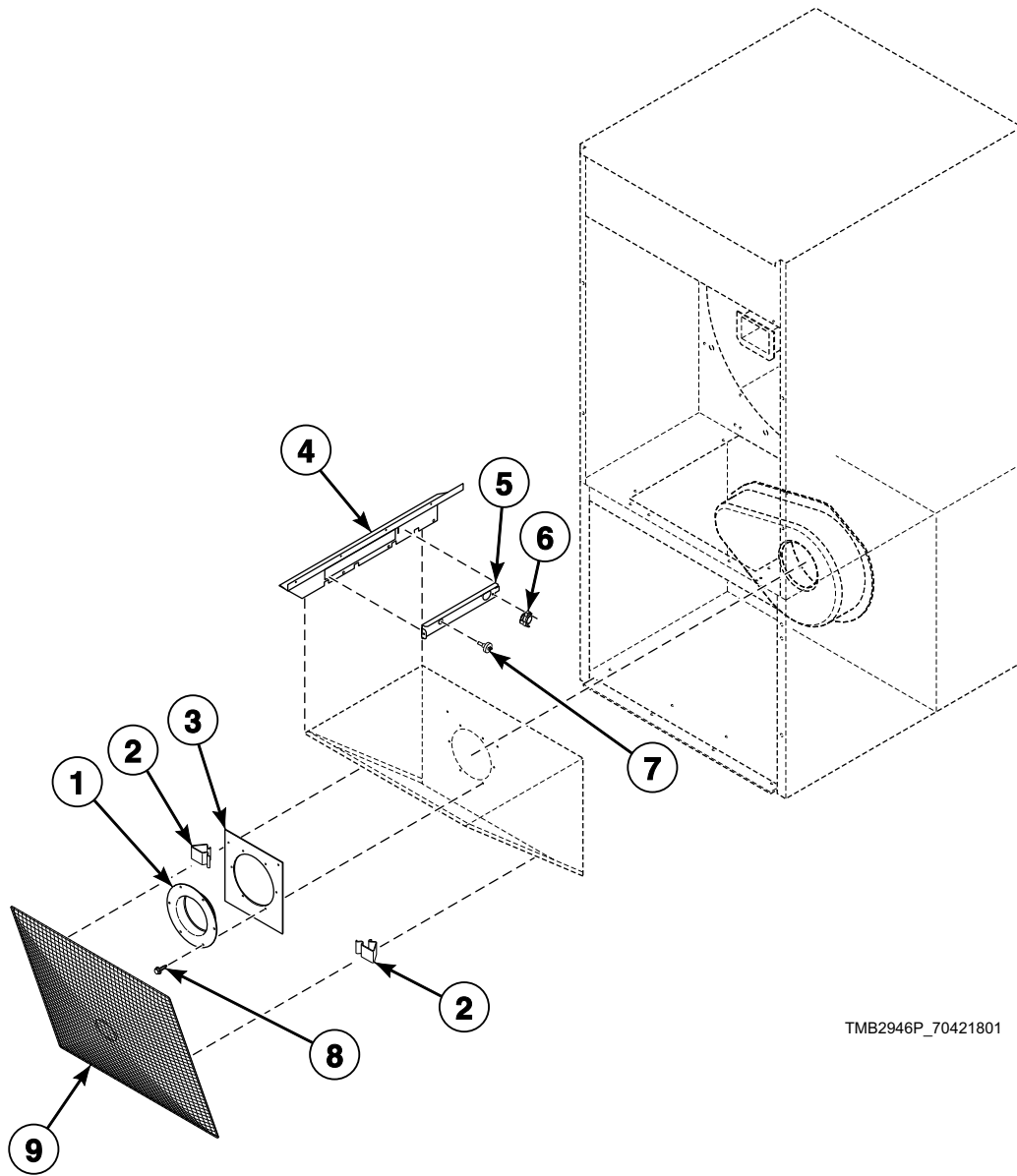
TMB2057P\_70421801

## Lower Cabinet Front Components

REF	PART NO.	DESCRIPTION	COMMENTS
	70114001	Clean Lint Compartment Sticker	Lint compartment must be cleaned daily
	70404001	Roller Bracket Assembly	Includes items 4, 5 and 8-10
<b>1</b>	70154405	Handle and Caps Assembly	B, C, I, M, N, S, U and Y models; L models through 1/28/15; P models through 9/30/14; Black; Includes endcaps
	70407210	Handle Bumper	P models starting 10/1/14; L models starting 1/29/15
	70154406	Handle and Caps Assembly	H and U models; Gray; Includes endcaps
	70407202	Handle Bumper	G and K models; Black and blue; Does not include endcaps
<b>2</b>	44000004DG	Lint Panel	P models starting 10/1/14; L models starting 1/29/15; Dark gray
	44000005	Lint Panel	P models starting 10/1/14 through 3/31/15; L models starting 1/29/15 through 3/31/15; Stainless steel
	44000007	Lint Panel	L and P models starting 4/1/15; Stainless steel
	44000001*P	Lint Panel	P models through 9/30/14; U models through 8/17/14; L models through 1/28/15; All other models except I models
	44000002P	Lint Panel	P models through 9/30/14; L models through 1/28/15; All other models through 3/31/15; Stainless steel
	44000006	Lint Panel	All models except L and P models starting 4/1/15; Stainless steel
	44000003LG	Lint Panel	U models; Light gray
<b>3</b>	51236	Nut	
<b>4</b>	70072801	Screw	
<b>5</b>	70030201	Roller Catch Spacer	
<b>6</b>	70132301	Screw	
<b>7</b>	56079	Panel Locator	U models; Models starting 8/18/14
<b>8</b>	70297601	Roller Catch Wheel	
<b>9</b>	23951	Nut	
<b>10</b>	70030301	Roller Catch Arm	
<b>11</b>	430757	Screw	4 required
<b>12</b>	70117608	Kickplate	H and U models; Gray
	70117607	Kickplate	All models except H models; Black
<b>13</b>	70126401	Pop Rivet	Gray; 6 required
	70126301	Pop Rivet	Black; 6 required

\* Add Letter To Designate Color. Q - Bisque W - White

# Cabinet Limit and Thermistor Assembly

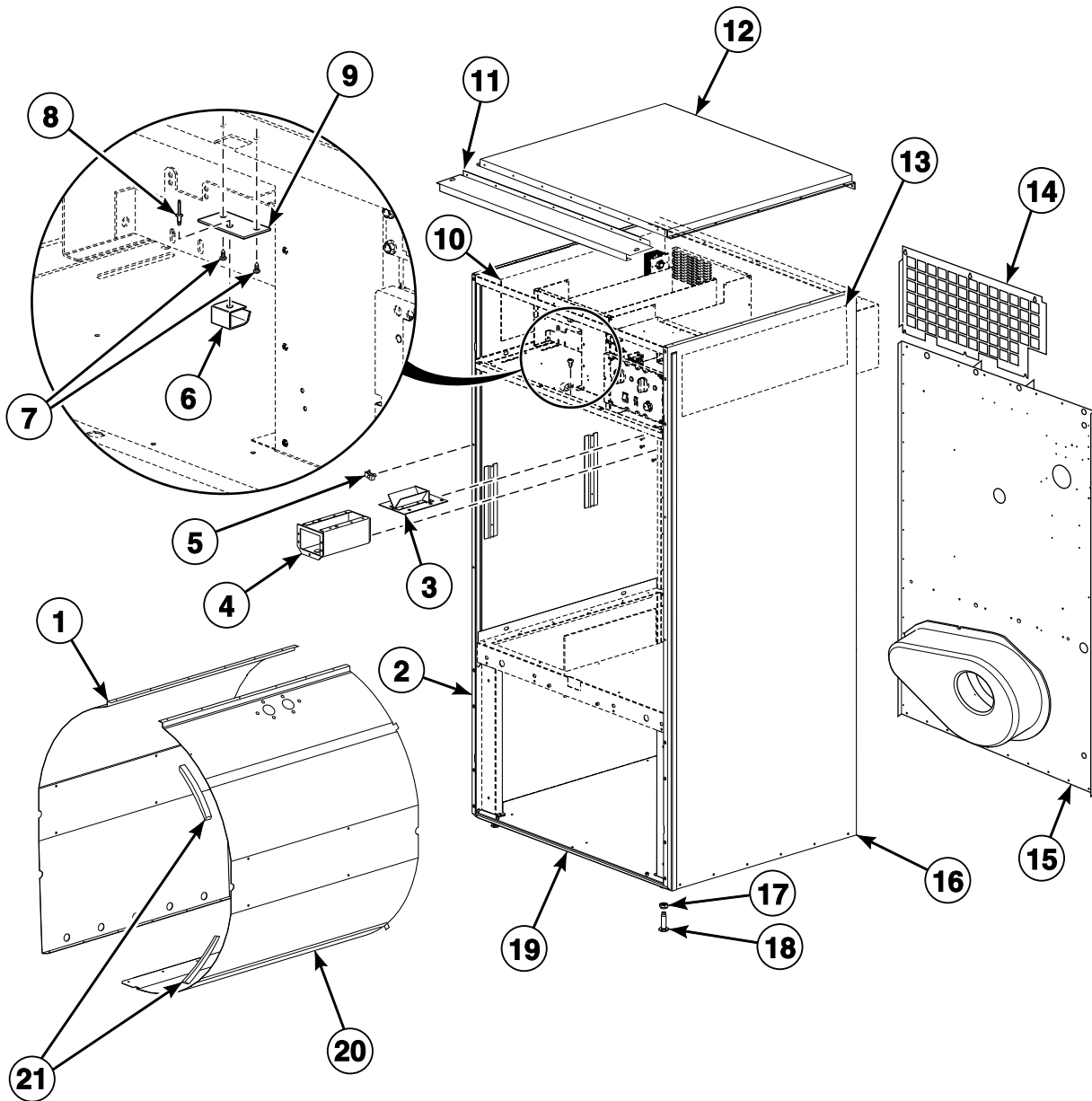


TMB2946P\_70421801

## Cabinet Limit and Thermistor Assembly

REF	PART NO.	DESCRIPTION	COMMENTS
1	70014101	Blower Inlet Cone	Gas and steam 60 Hertz; Electric 60 Hertz/3 Phase
2	35865	Hold-Down Clip	2 required
3	44150201	Cone Plate	Gas and steam 60 Hertz; Electric 60 Hertz/3 Phase
4	44162201	Lint Screen Deflector	Use 2 70335601 Cable Ties starting Serial No. 0904004427 to hold harness
5	44162301	Deflector Cover	
6	M411813	Limit Thermostat	Electric models
	M410542	Limit Thermostat	Non-CE and non-Australian gas models and all steam models
	M411941	Manual Reset Thermostat	CE and Australian gas models
7	M414704	Thermistor	
8	430497	Screw	Gas and steam 60 Hertz; Electric 60 Hertz/3 Phase; 6 required
9	44063601	Lint Screen	

# Cabinet Components



TMB3216P\_70421801



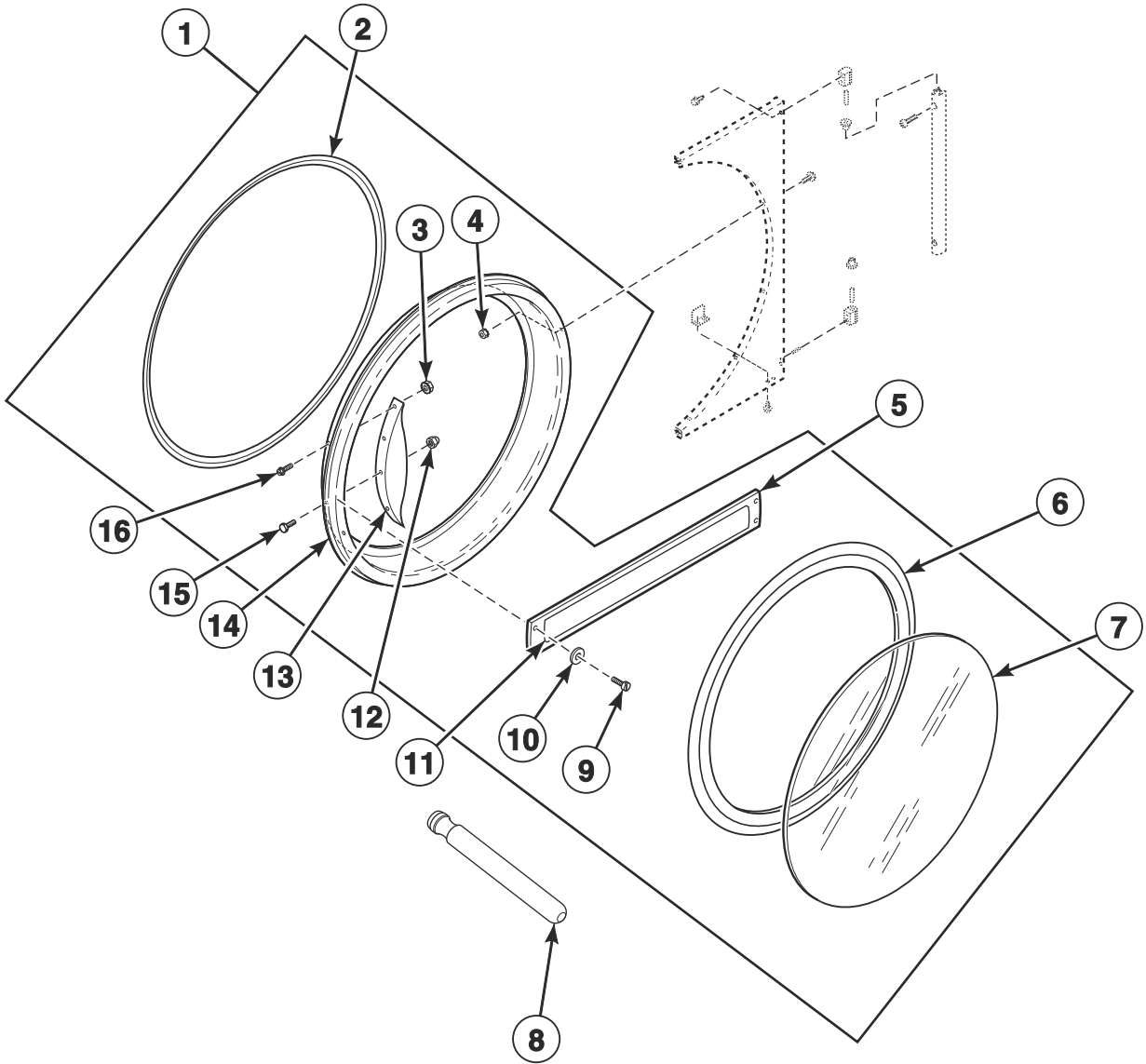
# Cabinet Components

REF	PART NO.	DESCRIPTION	COMMENTS
	298P4P	Spray Paint	White
	122P4P	Porcelain Touch-Up Paint	White
	370P4P	Porcelain Touch-Up Paint	Bisque
	70058501	Pop Rivet	Use with items 2 and 16
	430497	Screw	Use with items 2 and 16
<b>1</b>	44005201	Baffle	Left
<b>2</b>	44056801DG	Side Panel and Bracket Assembly	P models; Models starting 10/1/14; Left; Dark gray
	44056801*	Side Panel and Bracket Assembly	P models through 9/30/14; All other models; Left
	44056801LG	Side Panel and Bracket Assembly	U models; Left; Light gray
<b>3</b>	70296401	Coin Chute Assembly	Wide; Includes 6 of 70058502 Pop Rivet
<b>4</b>	70180101	Coin Vault Assembly	Includes 5 of 70058502 Pop Rivet
	F160673P	Coin Box	Optional equipment; Includes lock and key
<b>5</b>	70030401	Nut	U-clip
<b>6</b>	431318	Control Door Latch	
<b>7</b>	431287	Screw	
<b>8</b>	M400003	Pop Rivet	
<b>9</b>	44003201	Latch Mounting Bracket	
<b>10</b>	44150102	Insulation	
<b>11</b>	44129401	Top Panel Bracket	Gas and electric models
<b>12</b>	44135001P	Top Cover Pan	Gas and electric models
	44139301	Top Cover	Steam models
<b>13</b>	44150103	Insulation	
<b>14</b>	44176201	Top Rear Panel	Gas and steam models
	44170501	Top Rear Panel	Electric models
<b>15</b>	44170401P	Rear Panel Assembly	
	N/A	Rear Panel Assembly	Bolt on angle option
<b>16</b>	44056701DG	Side Panel and Bracket Assembly	P models; Models starting 10/1/14; Right; Dark gray
	44056701*	Side Panel	P models through 9/30/14; All other models; Right
	44056701LG	Side Panel and Bracket Assembly	U models; Right; Light gray
<b>17</b>	21899	Nut	Right
<b>18</b>	70247701	Screw	Leveling leg
<b>19</b>	44000601P	Bottom Pan	
<b>20</b>	44004901	Baffle	Right
	44065501	Baffle	Right; Models equipped with fire suppression system
<b>21</b>	70015701	Baffle Gasket	

\* Add Letter To Designate Color. Q - Bisque W - White

N/A = Part no longer available

# Door Components

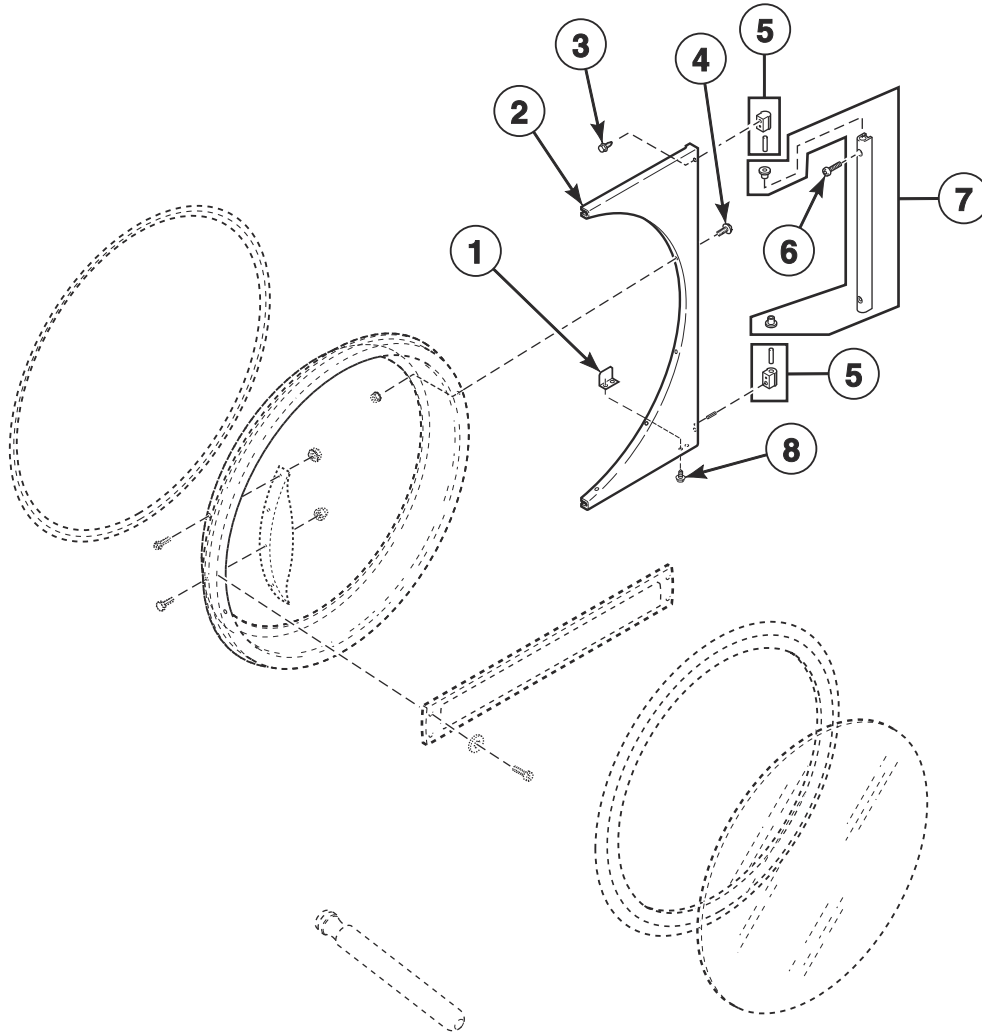


TMB3091P\_70421801

# Door Components

REF	PART NO.	DESCRIPTION	COMMENTS
	M4776P3	Control Panel and Door Hinge Kit	B and I models; To change from old look to new look
1	44058102P	Door Assembly	H models
	44028902P	Door Assembly	M, N and S models; U models through 8/17/14
	44266701	Door Assembly	U models; Models starting 8/18/14
	44058104P	Door Assembly	H models; Chrome option
	44028905P	Door Assembly	S models; Chrome option
	44266702P	Door Assembly	U models; Chrome option
	44112101	Door Assembly	B, C and I models through 7/31/11
	44028903	Door Assembly	B, C and I models starting 8/1/11
	44029101	Door Handle Assembly	L models through 1/28/15; P models through 9/30/14
	44292301LG	Door Assembly	P models starting 10/1/14; L models starting 1/29/15; Light gray
	44292301B	Door Assembly	P models; Models starting 7/5/16; Use with stainless steel front panel; Black
	70407401	Door Assembly	G and K models
2	44008201P	Door Ring Gasket	
3	44071201	Nut	H, M, N and S models; 4 required
4	23951	Nut	6 required
5	70399501B	Handle Bar	G and K models
6	70211902P	Door Seal Kit	Use Loctite 414 for seal
7	44008402P	Door Glass	H models
	44008401P	Door Glass	All other models
8	M4221P4	Door Glass Installation Tool	
9	70126301	Pop Rivet	G and K models; 4 required
10	70409301	Washer	G and K models; 2 required
11	70411401	Nameplate Overlay	G models; Coin
	44144401	Nameplate Overlay	K models; Coin
12	M414215	Nut	
13	44057702	Door Handle	H models
	44007901	Door Handle	M, N and S models; U models through 8/17/14; B, C and I models starting 8/1/11
	44263801	Door Handle	U models; Models starting 8/18/14; Use 901620 Screw, 803871 Screw and 44088001 Nut to attach
14	44028902P	Door Assembly	H, M, N and S models; P models through 9/30/14; U models through 8/17/14; L models through 1/28/15
	44326005	Door Ring Assembly	H and S models; Chrome option
	44326006	Door Ring Assembly	U models; Chrome option
	44326002	Door Ring Assembly	U models; Models starting 8/18/14
	44326007LG	Door Ring and Handle Assembly	P models starting 10/1/14; L models starting 1/29/15; Light gray
	44326007B	Door Ring and Handle Assembly	P models starting 7/5/16; Use with stainless steel front panel; Black
	44112001	Door Ring and Handle Assembly	B, C and I models through 7/31/11
	44326004B	Door Ring Assembly	B, C and I models starting 8/1/11
	44326003B	Door Ring Assembly	G and K models
15	M400661	Screw	Door strike
16	61199	Screw	H, M, N and S models; 4 required

# Hinge Components



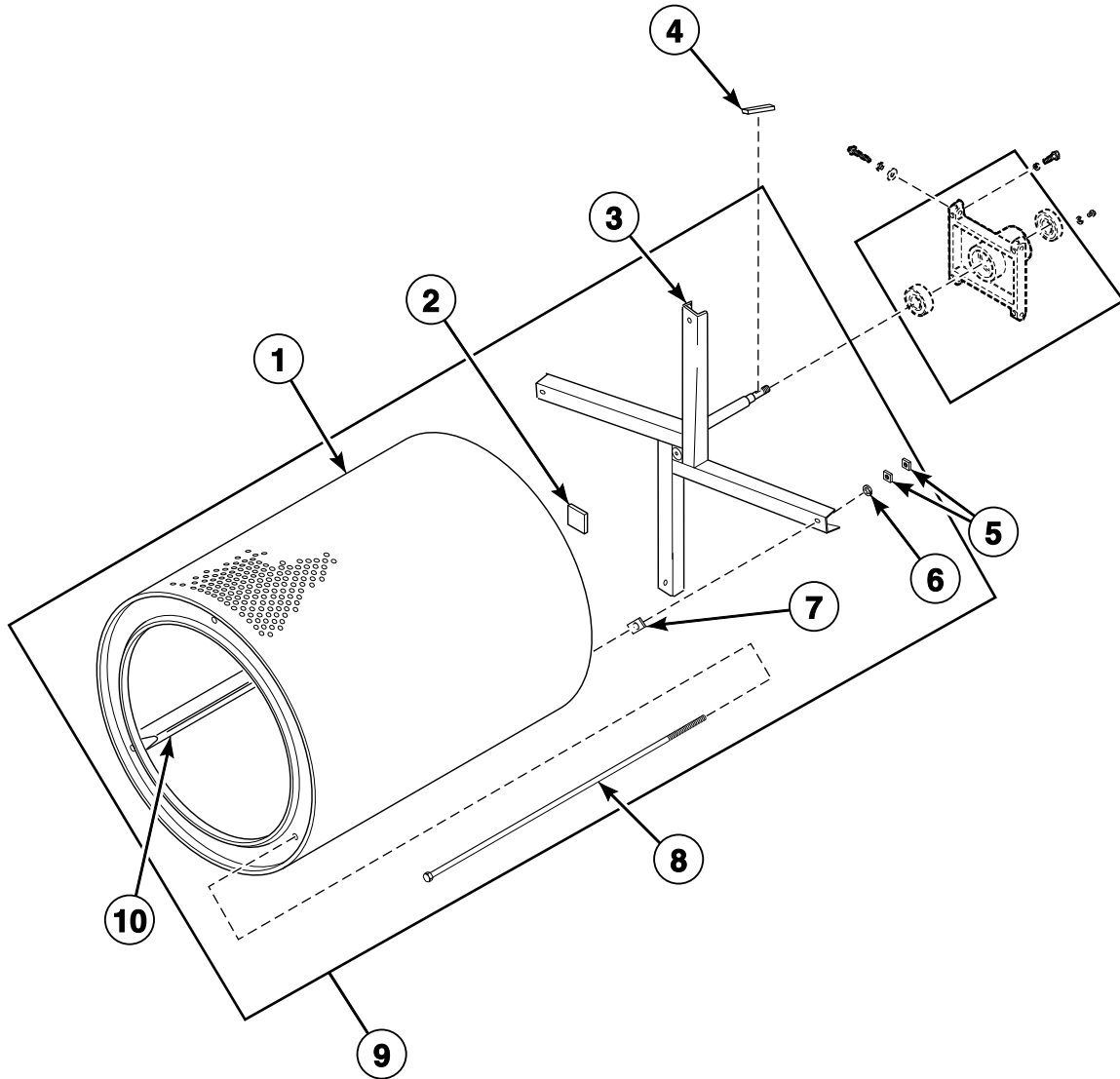
TMB3091PA\_70421801

# Hinge Components

REF	PART NO.	DESCRIPTION	COMMENTS
	M4776P3	Control Panel and Door Hinge Kit	B and I models; To change from old look to new look
<b>1</b>	70215001P	Door Switch Actuator Kit	
<b>2</b>	44075208B	Door Hinge Assembly	G and K models; B and I models starting 8/1/11
	44075203*	Door Hinge Assembly	H, M, N, S, U and Y models; P models through 9/30/14; L models through 1/28/15; C models starting 8/1/11
	44075204	Door Hinge Assembly	C, H, M, S, U and Y models through 3/31/15; P models through 9/30/14; B and I models through 7/31/11; L models through 1/28/15; Stainless steel
	44075211	Door Hinge Assembly	H, M, S, U and Y models starting 4/1/15; Stainless steel
	44075208LG	Door Hinge Assembly	L, P and U models; Light gray
<b>3</b>	70442101	Screw	3 required
<b>4</b>	M400044	Screw	6 required
<b>5</b>	M4773P3	Cam and Hinge Kit	G and K models; B and I models starting 8/1/11
	M4772P3	Cam and Hinge Kit	C, H, L, M, N, P, S, U and Y models; B and I models through 7/31/11
<b>6</b>	70409801	Screw	G and K models; B and I models starting 8/1/11; 2 required
	70033502	Screw	C, H, L, M, N, P, S, U and Y models; B and I models through 7/31/11; 2 required
<b>7</b>	44035002	Door Hinge Lug Assembly	G and K models; B and I models starting 8/1/11; Black
	44035001	Door Hinge Lug Assembly	C, H, L, M, N, P, S, U and Y models; B and I models through 7/31/11
<b>8</b>	70058501	Pop Rivet	2 required

\* Add Letter To Designate Color. L - Almond Q - Bisque W - White

# Cylinder and Trunnion Components

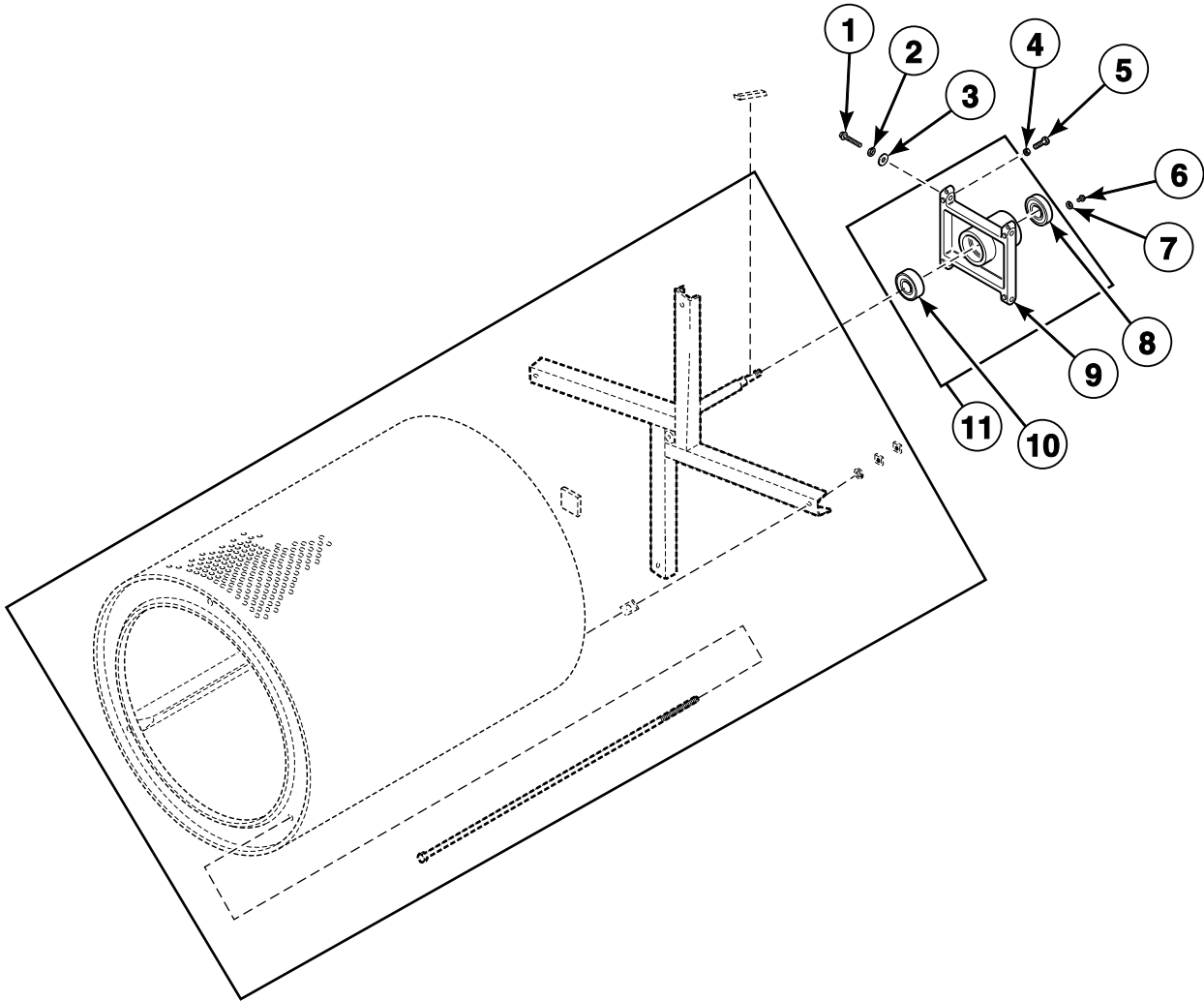


TMB2123P\_70421801

## Cylinder and Trunnion Components

REF	PART NO.	DESCRIPTION	COMMENTS
1	44057001P	Cylinder Kit	Galvanized; B, C, H, I, L, M, N, P, S and U models; Non-moisture sensing
	44196301	Cylinder Assembly	Galvanized; B, C, H, I, L, M, N, P, S and U models; Moisture sensing
	44057101P	Cylinder Kit	Stainless steel; B, C, H, I, L, M, N, P, S and U models; Non-moisture sensing
	44196302	Cylinder Assembly	Stainless steel; B, C, H, I, L, M, N, P, S and U models; Moisture sensing
	44130802	Cylinder Assembly	G and K models; Non-moisture sensing
	44196303	Cylinder Assembly	G and K models; Moisture sensing
	44089001	Cylinder Assembly	Stainless steel; U models with the 11th character of R; Non-moisture sensing
2	M402144	Felt Pad	
3	M413833P	Trunnion Assembly	Spider; Nonreversing; Models through 1/31/12
	M413834P	Trunnion Assembly	Spider; Reversing; Models through 1/31/12
	44208001	Trunnion Assembly	Spider; Models starting 2/1/12; Non-moisture sensing; Use on reversing and nonreversing models
	44207901	Trunnion Assembly	Models starting 8/1/11; Moisture sensing; Use on reversing and nonreversing models
4	M400008	Key	Half moon; Nonreversing models through 7/31/11; All models starting 8/1/11
	M405232	Key	Straight; Reversing; Models through 7/31/11
5	M404993	Nut	
6	M400015	Washer	4 required
7	M401402	Spacer	Adjustment between cylinder and trunnion
8	M401411	Rib Rod	
9	44057401P	Cylinder and Trunnion Assembly	Galvanized; Nonreversing; B, C, H, I, L, M, P, S and U models through 7/31/11
	44057402P	Cylinder and Trunnion Assembly	Stainless steel; Nonreversing; B, C, H, I, L, M, P, S and U models through 7/31/11
	44057403	Cylinder and Trunnion Assembly	Galvanized; Reversing; B, C, H, I, L, M, P, S and U models through 1/31/12
	44057404	Cylinder and Trunnion Assembly	Stainless steel; Reversing; B C, H, I, L, M, P, S and U models through 1/31/12
	44195601	Cylinder and Trunnion Assembly	Galvanized; B, C, H, I, L, M, P, S and U models starting 2/1/12; Non-moisture sensing
	44195602	Cylinder and Trunnion Assembly	Stainless steel; B, C, H, I, L, M, P, S and U models starting 2/1/12; Non-moisture sensing
	44195605P	Cylinder and Trunnion Assembly	Galvanized; B, C, H, I, L, M, N, P, S and U models; Moisture sensing
	44195606	Cylinder and Trunnion Assembly	Stainless steel; B, C, H, I, L, M, N, P, S and U models; Moisture sensing
	44131002	Cylinder and Trunnion Assembly	Reversing; G and K models through 7/31/11
	44131102	Cylinder and Trunnion Assembly	Nonreversing; G and K models through 7/31/11
	44195603	Cylinder and Trunnion Assembly	G and K models starting 8/1/11; Non-moisture sensing
	44195607	Cylinder and Trunnion Assembly	G and K models; Moisture sensing
	44089101	Cylinder and Trunnion Assembly	Stainless steel; U models with the 11th character of R through 7/31/11
	44195604	Cylinder and Trunnion Assembly	Stainless steel; U models with the 11th character of R starting 8/1/11; Non-moisture sensing
10	44191201	Cylinder Rib Assembly	Moisture sensing; Use 16 31098 Screws to attach

# Bearing Components



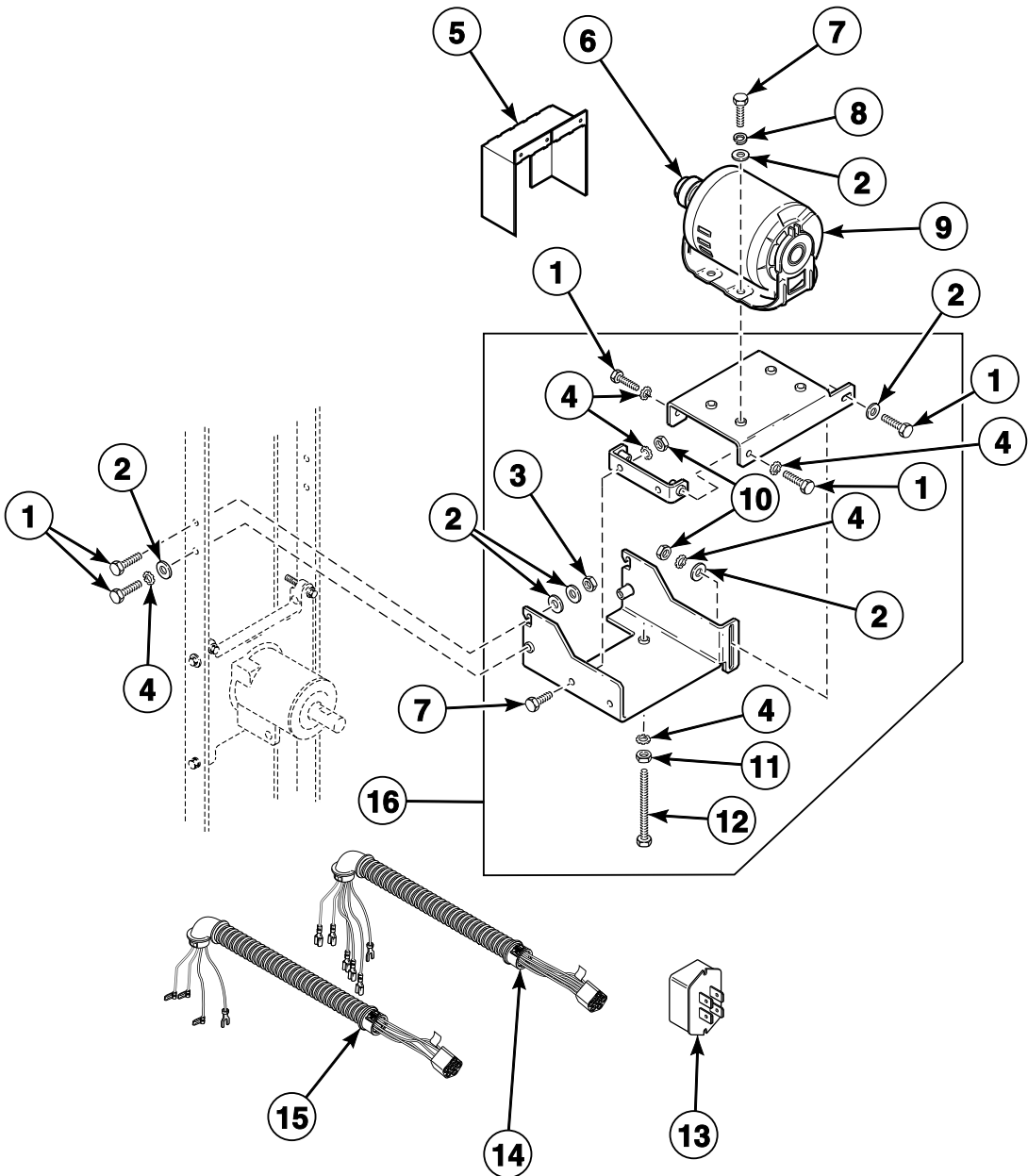
TMB2123PA\_70421801



# Bearing Components

REF	PART NO.	DESCRIPTION	COMMENTS
	M4640P3	Trunnion and Bearing Assembly	Nonreversing models through 7/31/11; Non-moisture sensing reversing and nonreversing models starting 8/1/11
	M4641P3	Trunnion and Bearing Assembly	Reversing; Models through 7/31/11; Non-moisture sensing
	44336301	Trunnion and Bearing Assembly	Moisture sensing; Use on reversing and nonreversing models
	M4644P3	Housing and Trunnion Assembly	Includes bearing; Nonreversing; Non-moisture sensing
	M4645P3	Housing and Trunnion Assembly	Includes bearing; Reversing; Models through 7/31/11; Non-moisture sensing
	44336302	Housing and Trunnion Assembly	Moisture sensing; Use on reversing and nonreversing models
<b>1</b>	M400063	Screw	4 required
<b>2</b>	M400015	Washer	4 required
<b>3</b>	70261401	Washer	4 required
<b>4</b>	M400026	Nut	4 required
<b>5</b>	M400650	Bolt	2 required
<b>6</b>	70187201	Screw	4 required
<b>7</b>	20103	Washer	4 required
<b>8</b>	F100136P	Bearing	
<b>9</b>	M413826	Trunnion Housing	
<b>10</b>	44041901P	Ball Bearing	
<b>11</b>	M413832	Trunnion Housing Assembly	Includes bearing

# Reversing Cylinder Drive Motor and Components

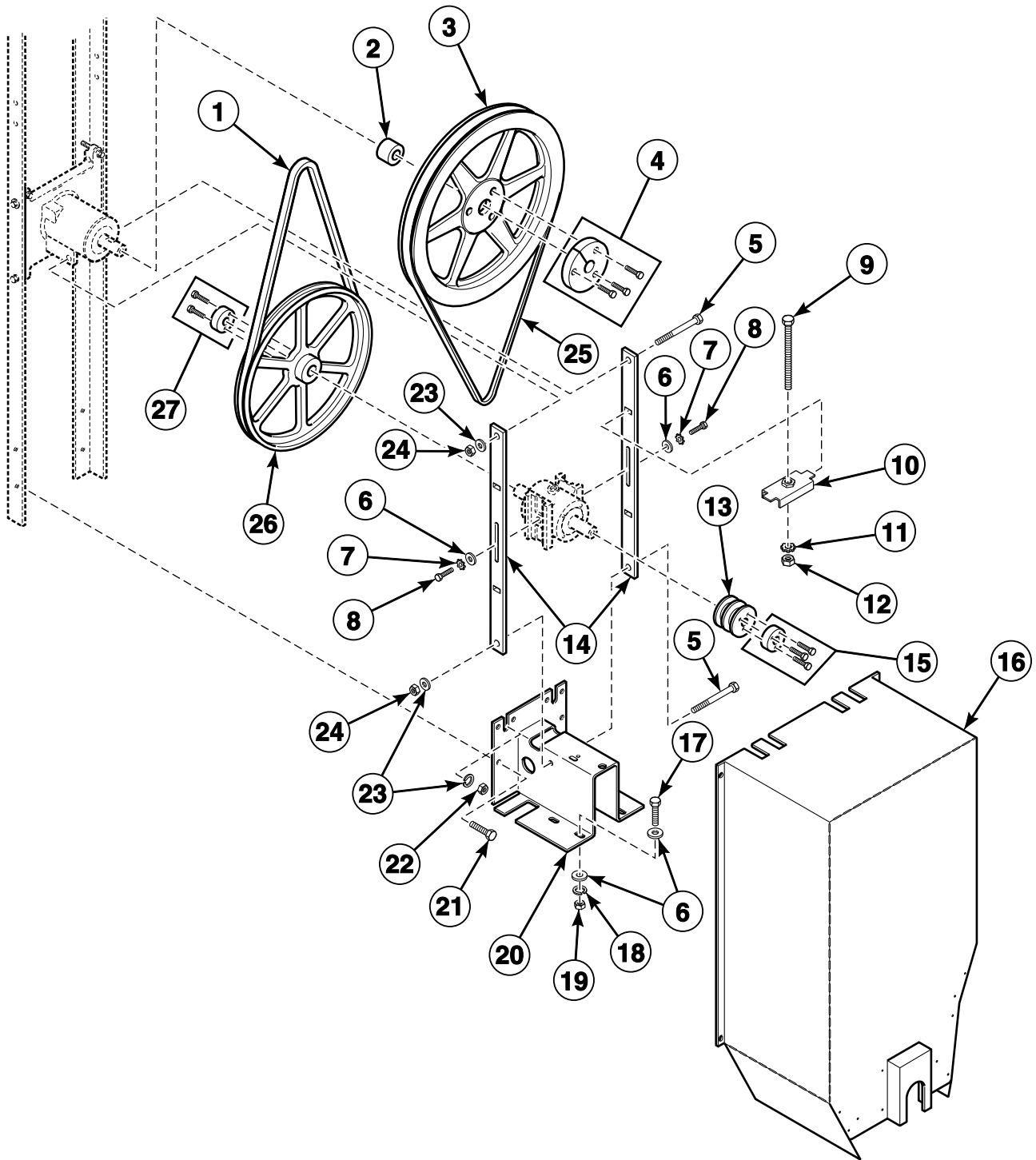


TMB3168P\_70421801

## Reversing Cylinder Drive Motor and Components

REF	PART NO.	DESCRIPTION	COMMENTS
1	M400056	Screw	7 required
2	M400080	Washer	10 required
3	M412986	Nut	2 required
4	02834	Washer	8 required
5	M413541	Belt Guard	Upper
6	M414565	Pulley	60 Hertz
	M414567	Pulley	50 Hertz; Non-moisture sensing models through 1/31/12
	44233601	Pulley	50 Hertz; Moisture sensing models starting 8/1/11; Non-moisture sensing models starting 2/1/12
7	M400057	Screw	6 required
8	M400013	Washer	4 required
9	M412519P	Motor Kit	Gas and steam models with: 200-208 or 240 Volt/60 Hertz/3 Phase, 460-480 Volt/60 Hertz/3 Phase, 200 Volt/50 Hertz/3 Phase, 230 or 240 Volt/50 Hertz/3 Phase and 380 or 400-415 Volt/50 Hertz/3 Phase; Electric models with: 200-208 Volt/60 Hertz/3 Phase, 240 Volt/50 or 60 Hertz/3 Phase, 480 Volt/60 Hertz/3 Phase, 200 Volt/50 Hertz/3 Phase, 380 Volt/50 Hertz/3 Phase and 400-415/50 Hertz/3 Phase
	M412520P	Motor Kit	Gas and steam models with: 230-240 Volt/50 Hertz/1 Phase; Electric models with: 240 Volt/50 Hertz/1 Phase
	44253201	Drive Motor	120 Volt/1 Phase; Use 44266801 Start Capacitor
10	70142	Nut	3 required
11	02428	Nut	
12	M413565	Screw	
13	M414563	Motor Switch	1 Phase
14	44139701P	Cylinder Motor Harness	1 Phase
15	44137101P	Cylinder Motor Harness	3 Phase
16	M413617	Motor Mount Assembly	Includes items 1-4, 7 and 10-12

# Drive Components for Non-Moisture Sensing Reversing Models Through 1/31/12



TMB2529P\_70421801

## Drive Components for Non-Moisture Sensing Reversing Models Through 1/31/12

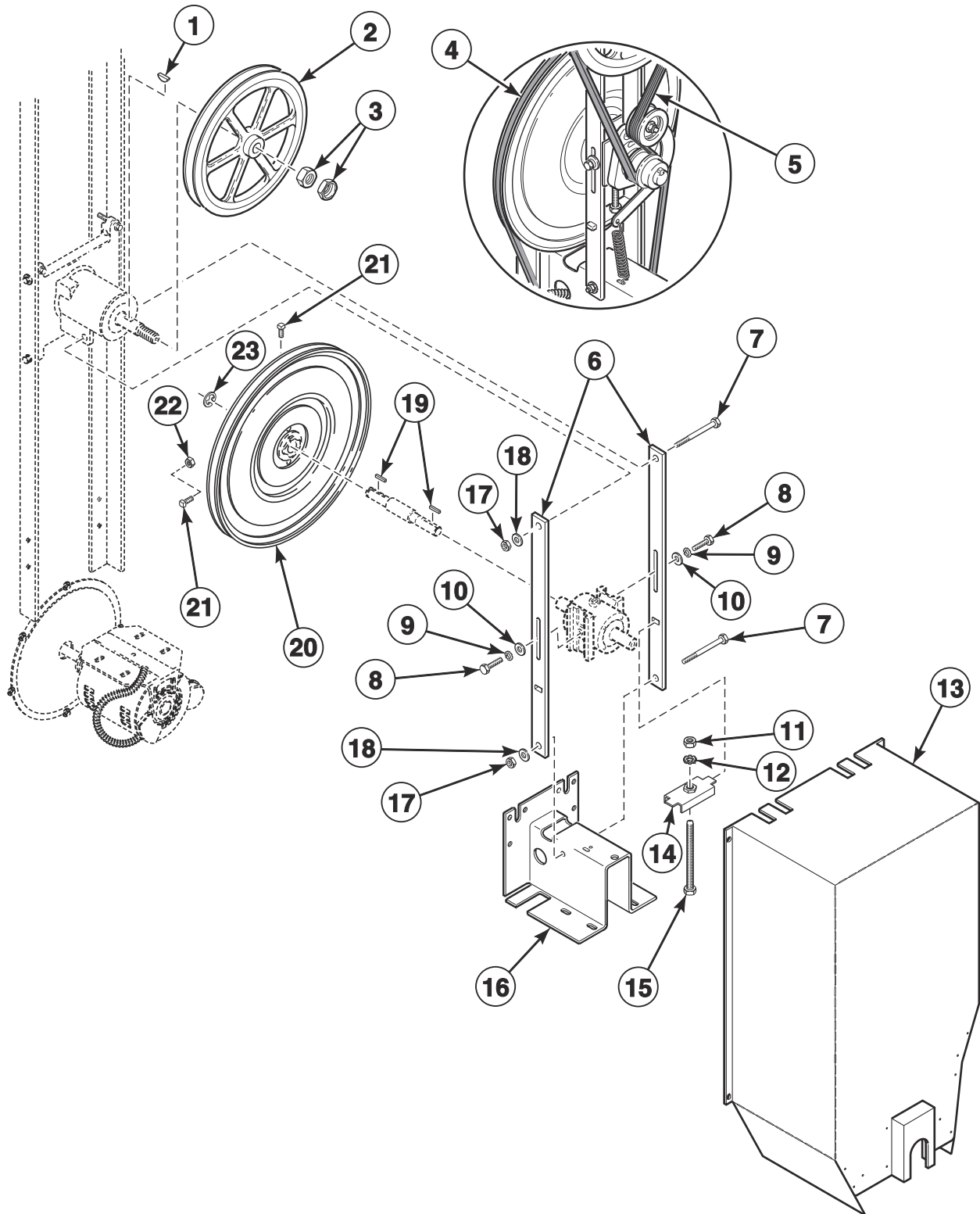
REF	PART NO.	DESCRIPTION	COMMENTS
1	M412981	Belt	Drive
2	44024001	Spacer	
3	M412916	Double V Sheave	
4	M412086P	Bushing	Includes M400013 Washer, 44048902 Screw and 44079203 Screw
5	M400061	Screw	
6	M400080	Washer	
7	M403958	Washer	2 required
8	M400043	Screw	
9	M412627	Screw	
10	M414405	Tension Plate Assembly	
11	M412188	Washer	
12	H88412101	Nut	
13	M412884	Pulley	
14	M412476	Guide Rail	
15	M412917P	Bushing	Includes 56552 Washer, 44048901 Screw and 44079301 Screw
16	44132402	Belt Guard Assembly	Use 51780 Screw to mount
17	M400057	Screw	
18	M400013	Washer	4 required
19	02428	Nut	4 required
20	44117201	Motor Bracket	
21	M401393	Bolt	2 required
22	20274	Nut	
23	M400014	Washer	
24	M400026	Nut	2 required
25	M412090	Belt	2 required; Cylinder
26	M412931	Single V Sheave	
27	M412885P	Bushing	Includes 03189 Washer and F430107 Screw



## Drive Components for Moisture Sensing Reversing Models Starting 8/1/11 and Non-Moisture Sensing Reversing Models Starting 2/1/12

REF	PART NO.	DESCRIPTION	COMMENTS
	44294401	Reversing Belt Pulley Kit	F8571501 Belt (10 rib) included in kit
	44209001	Belt Idler Assembly	Includes items 6-8, 10-16 and 27
1	M412981	Belt	
2	44024001	Spacer	
3	M412156	Micro V Sheave	
4	M400033	Nut	
5	M400035	Nut	
6	M412627	Screw	
7	M412188	Washer	
8	H88412101	Nut	
9	M400061	Screw	
10	M400080	Washer	
11	M400043	Screw	
12	M403958	Washer	
13	M412476	Guide Rail	
14	M411466P	Micro V Pulley	
15	44107101	Idler Housing Assembly	
16	M400077	Screw	
17	44132409	Belt Guard Assembly	Use 51780 Screw to mount; Moisture sensing
	44132402	Belt Guard Assembly	Use 51780 Screw to mount; Non-moisture sensing
18	44222501	Guard Extension	
19	M400057	Screw	
20	M400013	Washer	
21	02428	Nut	
22	44117201	Motor Bracket	
23	M401393	Bolt	
24	20274	Nut	
25	M400014	Washer	
26	M400026	Nut	
27	M414405	Tension Plate Assembly	
28	M411425P	Micro V Belt	
29	44086901P	Sheave Kit	
30	F430533	Screw	
31	44087201	Nut	

# Drive Components for Nonreversing Models Through 7/31/11



TMB3321P\_70421801



## Drive Components for Nonreversing Models Through 7/31/11

REF	PART NO.	DESCRIPTION	COMMENTS
1	M400008	Key	
2	M412156	Micro V Sheave	
3	M400035	Nut	
4	M401182P	Belt	
5	M411425P	Micro V Belt	
6	M412476	Guide Rail	
7	M400061	Screw	
8	M400043	Screw	
9	M403958	Washer	
10	M400080	Washer	
11	H88412101	Nut	
12	M412188	Washer	
13	44132401	Belt Guard Assembly	Use 51780 Screw to mount
14	M414405	Tension Plate Assembly	
15	M412627	Screw	
16	44117201	Motor Bracket	
17	M400026	Nut	
18	M400014	Washer	
19	M401327	Key	
20	44086901P	Sheave Kit	Includes item 19 and 2 of item 21
21	F430533	Screw	
22	44087201	Nut	
23	M400399	Ring	

**NOTE: On nonreversing models, there is only one motor that functions as the drive motor and fan motor. Refer to *Fan Motors* section for motor part numbers.**

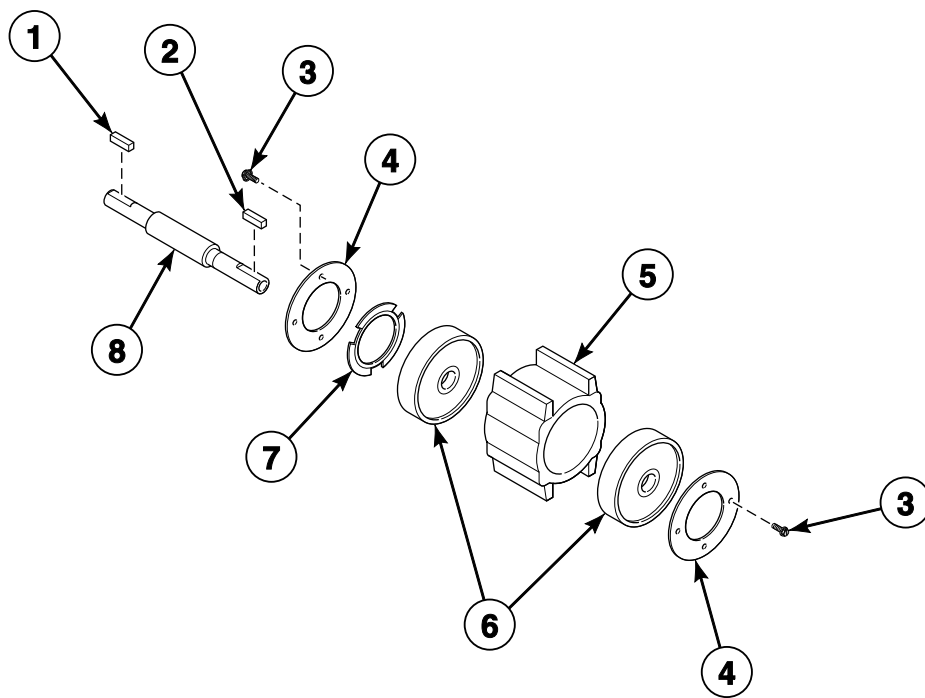


## Drive Components for Nonreversing Models Starting 8/1/11

REF	PART NO.	DESCRIPTION	COMMENTS
	44209001	Belt Idler Assembly	Includes items 7, 8, 10-12, 23, 24, 26-29 and 37
1	M411425P	Micro V Belt	
2	44024001	Spacer	
3	M412156	Micro V Sheave	
4	M400035	Nut	
5	M400014	Washer	
6	M412476	Guide Rail	
7	44107101	Idler Housing Assembly	
8	M400061	Screw	
9	M400080	Washer	
10	M403958	Washer	
11	M400043	Screw	
12	70265901	Washer	
13	430648	Screw	
14	44102701	Idler Arm	
15	430619	Drum Idler Wheel Assembly	
16	56156	Nut	
17	M400056	Screw	
18	44222501	Guard Extension	
19	44132401	Belt Guard Assembly	Use 51780 Screw to mount; Non-moisture sensing
	44132408	Belt Guard Assembly	Use 51780 Screw to mount; Moisture sensing
20	70270301	Washer	
21	M412120	Extension Spring	
22	M411466P	Micro V Pulley	
23	M400077	Screw	
24	44087201	Nut	
25	H88412101	Nut	
26	M412188	Washer	
27	M414405	Tension Plate Assembly	
28	M412627	Screw	
29	M400057	Screw	
30	02428	Nut	
31	M400013	Washer	
32	44117201	Motor Bracket	
33	M401393	Bolt	
34	20274	Nut	
35	M400026	Nut	
36	44086901P	Sheave Kit	
37	M401182P	Belt	
38	M400008	Key	

**NOTE: On nonreversing models, there is only one motor that functions as the drive motor and fan motor. Refer to *Fan Motors* section for motor part numbers.**

# Idler Housing Assembly for Non-Moisture Sensing Reversing Models Through 1/31/12

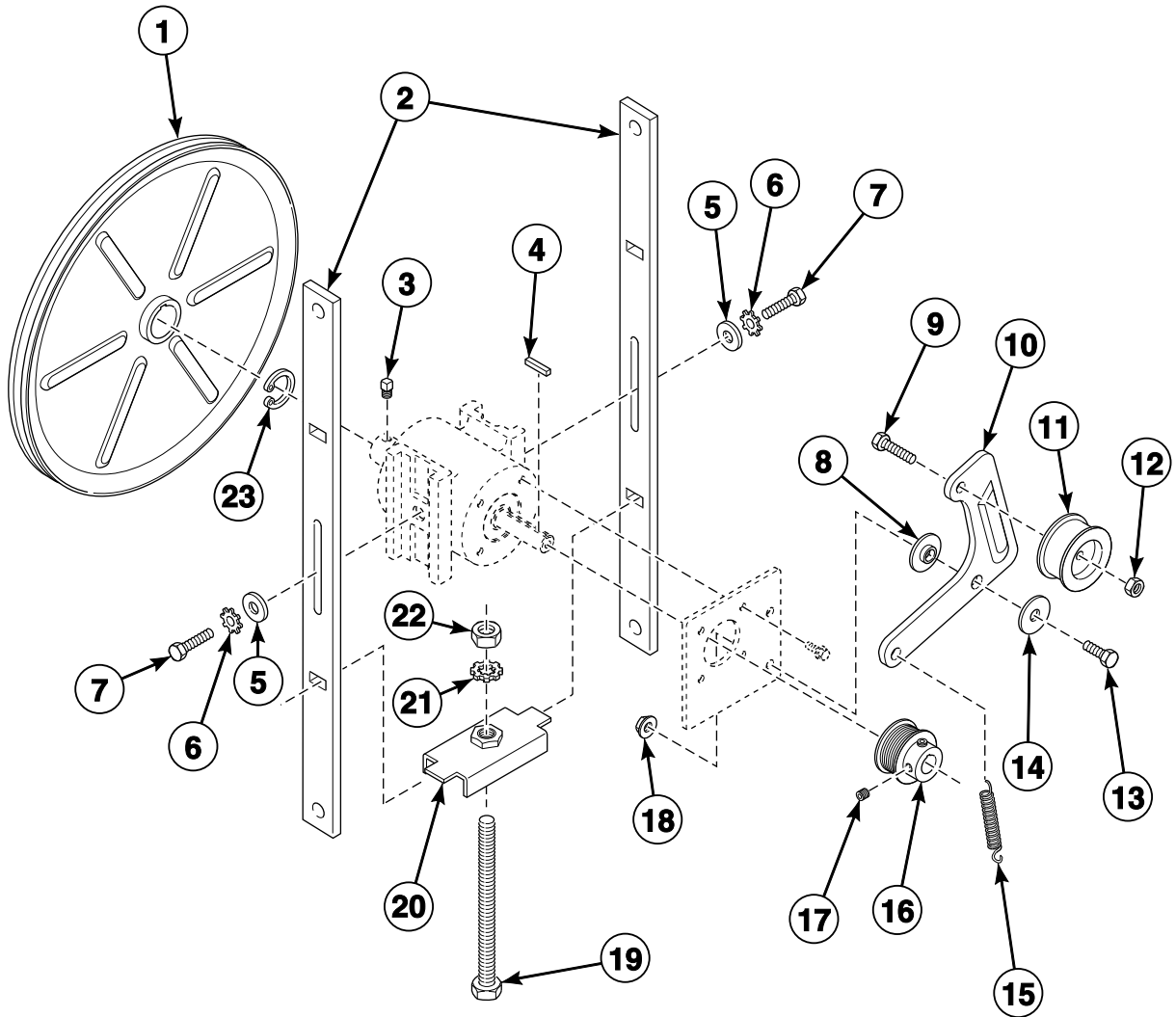


TMB2160P\_70421801

## Idler Housing Assembly for Non-Moisture Sensing Reversing Models Through 1/31/12

REF	PART NO.	DESCRIPTION	COMMENTS
	917P3	Idler Housing Kit	Includes items 1-4, 7 and M412476 Guide Rail, M412630 Idler Housing Assembly and 614P3 Idler Assembly Components Kit
1	M401327	Key	
2	M400993	Key	
3	70187201	Screw	8 required
4	M401370	Bearing Retainer	
5	M412612	Idler Housing	
6	M401375P	Ball Bearing	If bearing is marked 6304, order M401375P Ball Bearing; If bearing is marked 6204, order 70448701 Support Bearing
7	M400401	Loading Spring	
8	M414241	Idler Shaft	

# Idler Assembly for Nonreversing Models Through 7/31/11

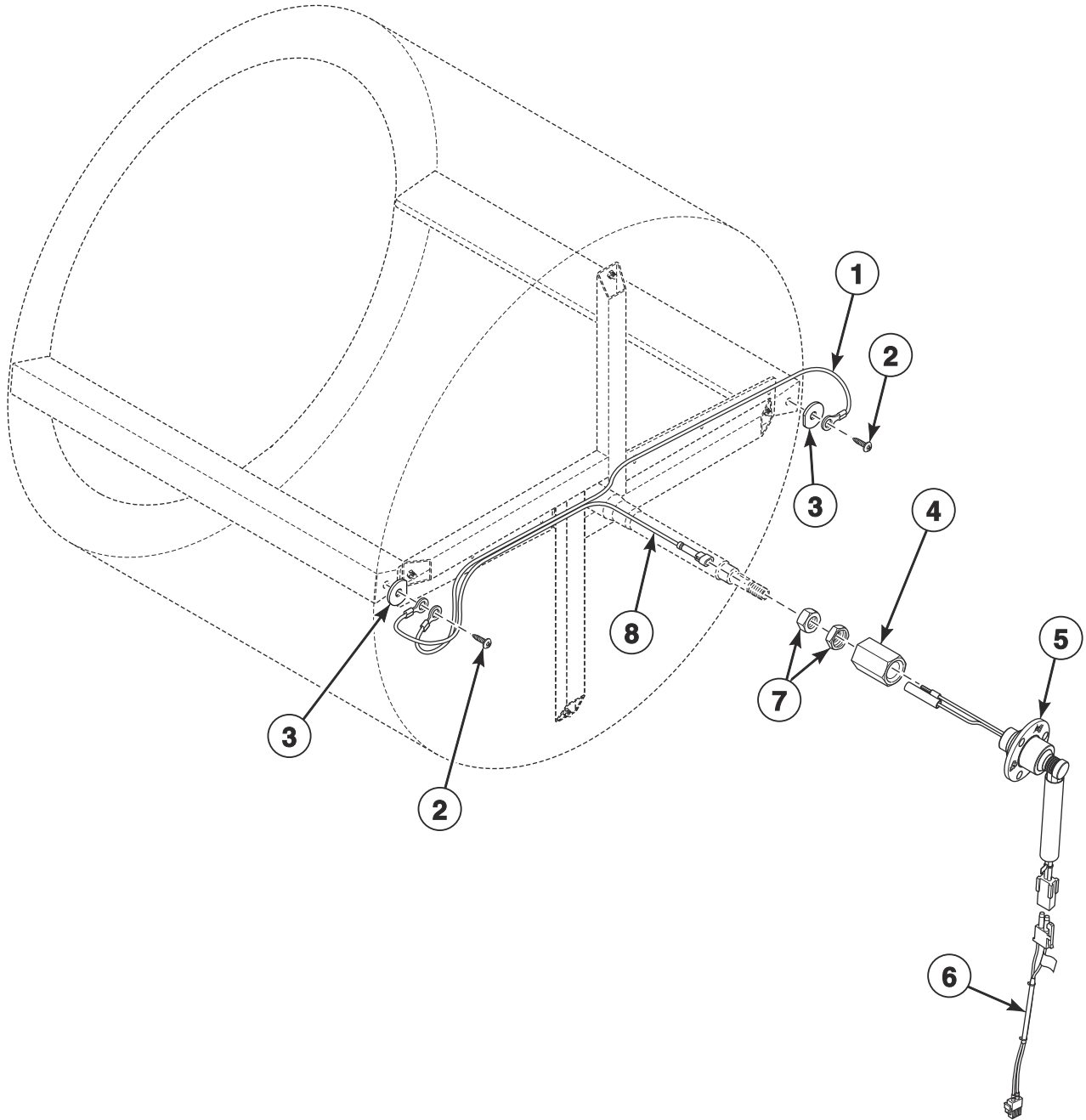


TMB3141P\_70421801

## Idler Assembly for Nonreversing Models Through 7/31/11

REF	PART NO.	DESCRIPTION	COMMENTS
	942P3P	Idler/Belt Assembly Kit	Use to replace whole assembly
	943P3P	Idler Housing Kit	
<b>1</b>	44086901P	Sheave Kit	
<b>2</b>	M412476	Guide Rail	2 required
<b>3</b>	M400065	Screw	2 required
<b>4</b>	M401327	Key	2 required
<b>5</b>	M400080	Washer	2 required
<b>6</b>	M403958	Washer	2 required
<b>7</b>	M400043	Screw	2 required
<b>8</b>	70265901	Washer	
<b>9</b>	430648	Screw	
<b>10</b>	44102701	Idler Arm	
<b>11</b>	430619	Drum Idler Wheel Assembly	
<b>12</b>	56156	Nut	
<b>13</b>	M400056	Screw	
<b>14</b>	70270301	Washer	
<b>15</b>	M412120	Extension Spring	
<b>16</b>	M411466P	Micro V Pulley	
<b>17</b>	M400077	Screw	2 required
<b>18</b>	44087201	Nut	
<b>19</b>	M412627	Screw	
<b>20</b>	M414405	Tension Plate Assembly	
<b>21</b>	M412188	Washer	
<b>22</b>	H88412101	Nut	
<b>23</b>	M400399	Ring	

# Moisture Sensing Components



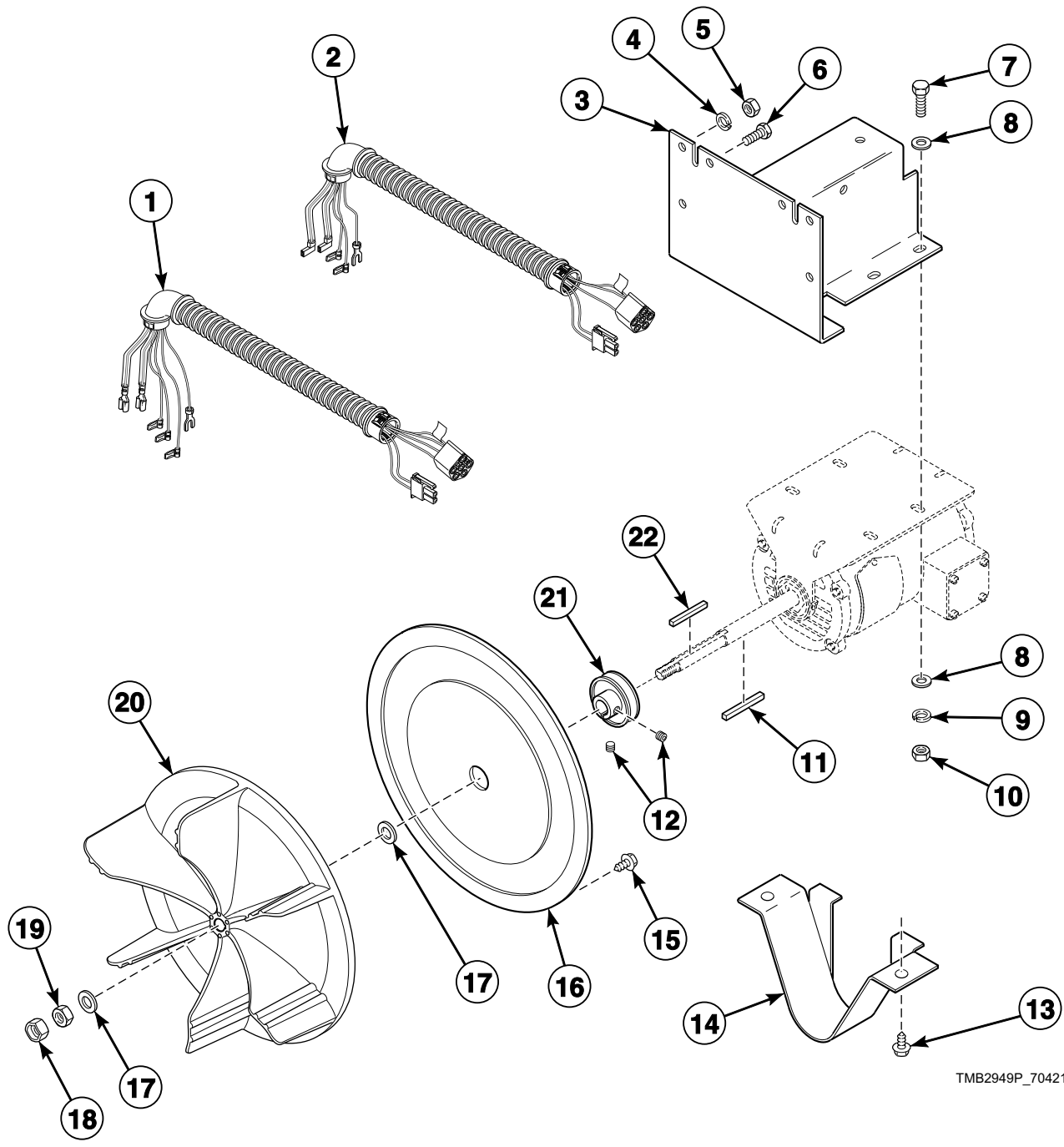
TMB3441P\_70421801



## Moisture Sensing Components

REF	PART NO.	DESCRIPTION	COMMENTS
	70468901	Moisture Sensor Test Wires	Use to troubleshoot the moisture sensor circuit
1	44208601	Rib Wire	
2	44337201	Screw	
3	44238902	Washer	
4	44224401	Slip Ring Holder	
5	44222701	Slip Ring Assembly	
6	70448901	Moisture Sensor Harness Assembly	Goes from item 5 to main harness
7	M400035	Nut	
8	44208701	Shaft Wire	

# Fan Components

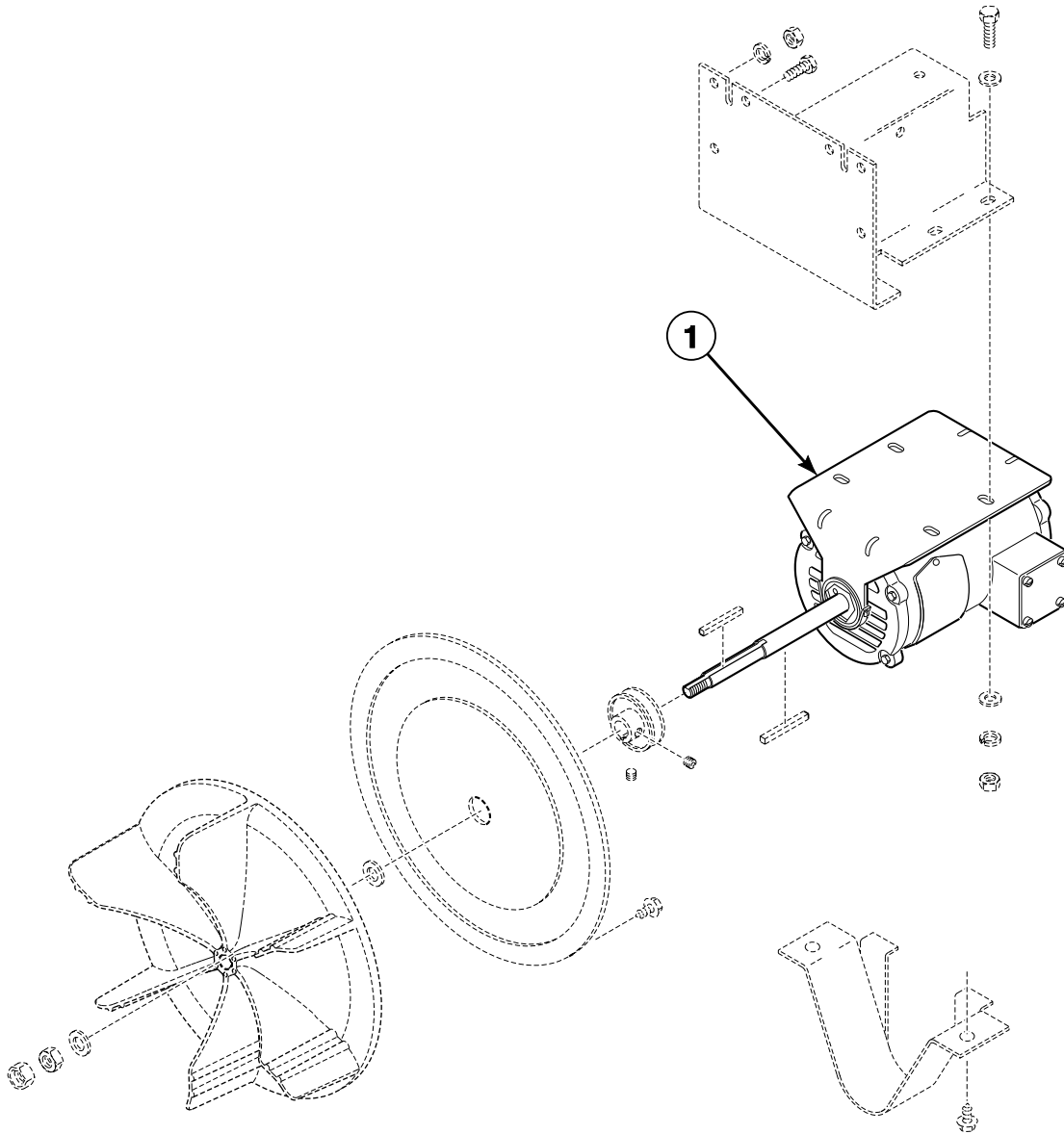


TMB2949P\_70421801

# Fan Components

REF	PART NO.	DESCRIPTION	COMMENTS
	M4426P3	Motor Hardware Kit	Includes items 11, 17-19 and 22
	M4525P3P	Resilient Ring Kit	2 per package
1	44169901	Fan Motor Harness	3 Phase
2	44137201P	Fan Motor Harness	1 Phase
3	44117201	Motor Bracket	
4	M400014	Washer	
5	20274	Nut	
6	M401393	Bolt	2 required
7	M400057	Screw	
8	M400080	Washer	
9	M400013	Washer	
10	02428	Nut	
11	44132301	Key	Nonreversing; All models: 120 Volt/60 Hertz/1 Phase or 200-208 or 240 Volt/60 Hertz/1 Phase; Electric models: 200-208 Volt/60 Hertz/3 Phase or 240 Volt/60 Hertz/3 Phase
	M400993	Key	All other voltages
12	M400077	Screw	Supplied with pulley
13	430497	Screw	
14	M413008	Belt Guard	
15	M410059	Screw	7 required
16	M401362	Cover Plate	
17	M400991	Washer	
18	M400034	Nut	
19	M400022	Nut	
20	44127401P	Blower	
21	M414564	Pulley	60 Hertz; Nonreversing
	M414566	Pulley	50 Hertz; Nonreversing
22	M400994P	Key and Instruction Kit	

# Fan Motors



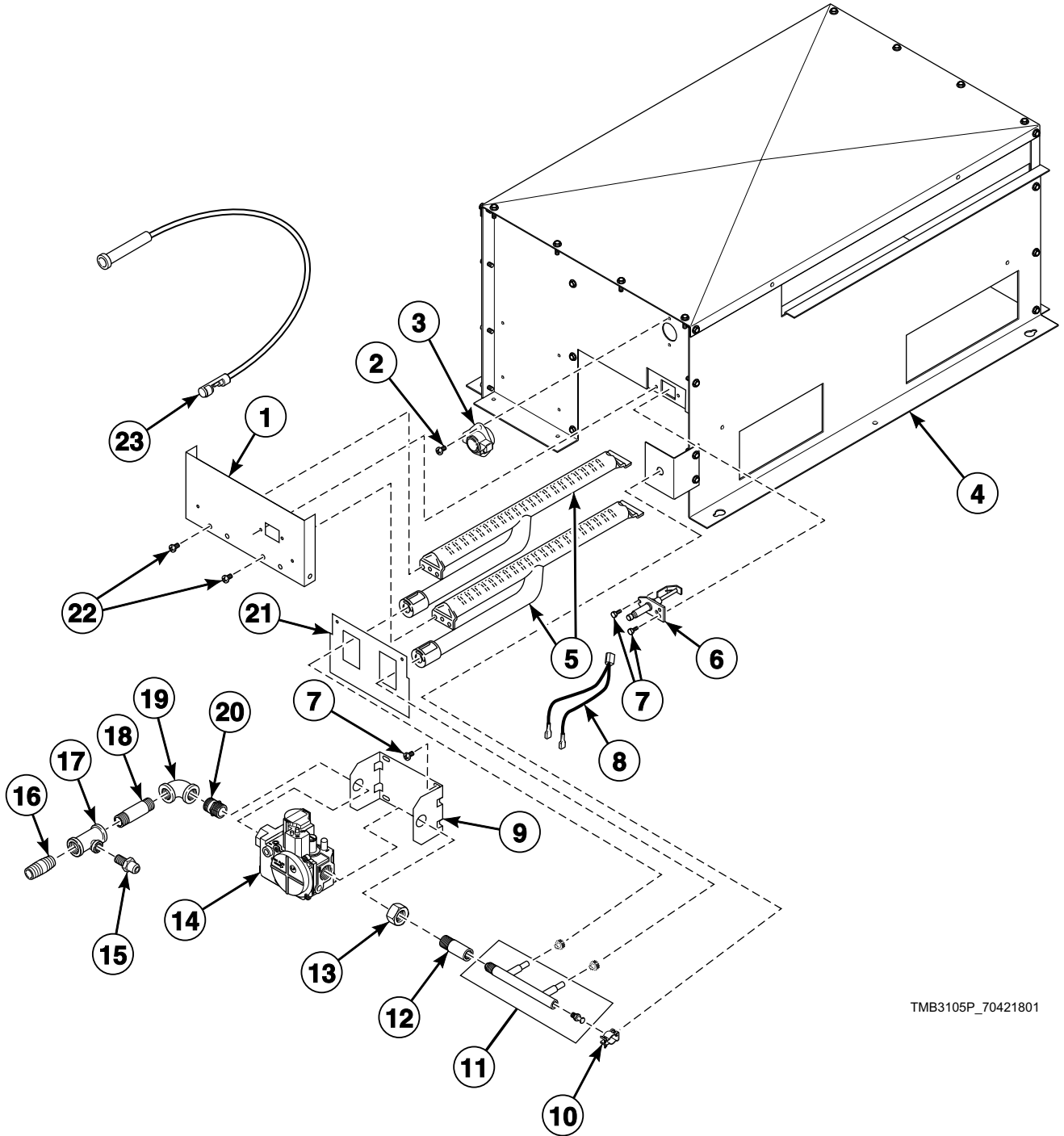
TMB2968P\_70421801

# Fan Motors

REF	PART NO.	DESCRIPTION	COMMENTS
1	44045801P	Motor	Use 44132301 Key for pulley and M400994 Key for fan; Use 70211501 Motor Capacitor; Nonreversing; Gas and steam models with: 120 Volt/60 Hertz/1 Phase and 200-208 or 240 Volt/60 Hertz/1 Phase; Electric models with: 200-208 Volt/60 Hertz/3 Phase and 240 Volt/60 Hertz/3 Phase
	44046101P	Motor	1/2 horsepower; Nonreversing; Gas and steam models with: 200-208 or 240 Volt/60 Hertz/3 Phase, 460-480 Volt/60 Hertz/3 Phase, 200 Volt/50 Hertz/3 Phase, 230-240 Volt/50 Hertz/3 Phase and 380 or 400-415 Volt/50 Hertz/3 Phase; Electric models with: 480 Volt/60 Hertz/3 Phase, 200 Volt/50 Hertz/3 Phase, 380 Volt/50 Hertz/3 Phase and 400-415 Volt/50 Hertz/3 Phase
	44048701P	Motor	Use M410300 Motor Capacitor; Nonreversing; Gas and steam models with: 230-240 Volt/50 Hertz/1 Phase; Electric models with: 240 Volt/50 Hertz/1 or 3 Phase
	44046001P	Fan Motor	1/3 horsepower; Reversing; Gas and steam models with: 200-208 or 240 Volt/50 or 60 Hertz/3 Phase, 460-480 Volt/50 or 60 Hertz/3 Phase, 200 Volt/50 or 60 Hertz/3 Phase, 230-240 Volt/50 Hertz/3 Phase and 380 or 400-415 Volt/50 or 60 Hertz/3 Phase; Electric models with: 480 Volt/50 or 60 Hertz/3 Phase, 380 Volt/50 or 60 Hertz/3 Phase and 400-415 Volt/50 or 60 Hertz/3 Phase
	44045901P	Fan Motor	Use M410301 Motor Capacitor; Reversing; Gas and steam models with: 230-240 Volt/50 Hertz/1 Phase; Electric models with: 240 Volt/50 Hertz/1 or 3 Phase and 200 Volt/50 Hertz/3 Phase
	44045701P	Motor	Use M410296 Motor Capacitor; Reversing; 120/208-240 Volt/60 Hertz

**NOTE: Nonreversing motors function as the fan motor and the drive motor.**

# Gas Heater Components



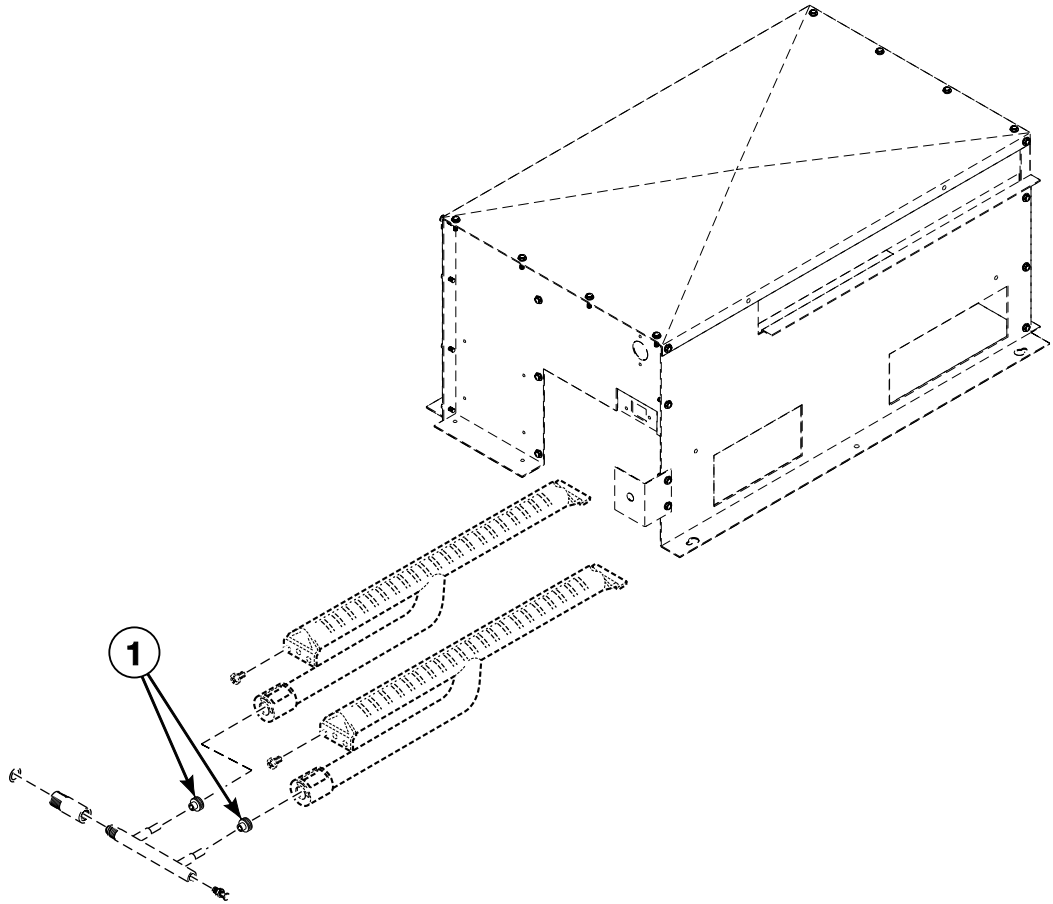
TMB3105P\_70421801

# Gas Heater Components

REF	PART NO.	DESCRIPTION	COMMENTS
	M4544P3	L.P. Conversion Kit	Natural Gas (N.G.) to Liquid Petroleum Gas (L.P.); CE and Australian models
	M4979P3	L.P. Conversion Kit	N.G. to L.P.; Non-CE and non-Australian models
	M4897P3	L.P. Gas Valve Kit	Non-CE and non-Australian models
	M413468P	Gas Valve	N.G.; Non-CE and non-Australian models
	M4908P3	Valve Replacement Kit	N.G.; CE models; Use to replace valves through 11/30/09
	M4909P3	Valve Replacement Kit	L.P.; CE models; Use to replace valves through 11/30/09
<b>1</b>	44110201	Burner Support	
<b>2</b>	M402797	Screw	2 required
<b>3</b>	M409433	Limit Thermostat	Non-CE and non-Australian models
	M411938	Manual Reset Thermostat	CE, Australian and Korean models
<b>4</b>	44136001	Gas Stove Assembly	Includes item 5
<b>5</b>	M410541P	Burner Assembly	2 required
<b>6</b>	44253701P	Spark Electrode	
<b>7</b>	430497	Screw	2 required
<b>8</b>	M412997	Harness Assembly	Non-CE and non-Australian models
	M413650	Gas Valve Harness Assembly	Australian models
	70184001	Gas Valve Harness	CE models
<b>9</b>	44175701	Gas Valve Bracket	
<b>10</b>	44155201	Pipe Clamp	Includes screw
<b>11</b>	M410546	Spud Holder Assembly	
<b>12</b>	44040501	Manifold Pipe	B, C and I non-CE and non-Australian models
	M406681	Manifold Pipe Assembly	All other models
<b>13</b>	M401548	Nut	
<b>14</b>	44181601P	Gas Valve	N.G.; Australian models
	44181602	Gas Valve	L.P.; Australian models
	44178301P	Gas Valve	N.G.; CE models; Use to replace valves starting 12/1/09
	44178302P	Gas Valve	L.P.; CE models; Use to replace valves starting 12/1/09
	44154501P	Gas Valve	N.G.; Non-CE and non-Australian models
	44154502P	Gas Valve	L.P.; Non-CE and non-Australian models
<b>15</b>	44231601	Pressure Fitting	CE and Australian models
<b>16</b>	431486	Pipe Nipple	CE and Australian models
<b>17</b>	44231901	Pipe Tee	CE and Australian models
<b>18</b>	70210201	Pipe Nipple	Non-CE and non-Australian models
	70263801	Pipe Nipple	CE and Australian models
<b>19</b>	70079601	Elbow	
<b>20</b>	431486	Pipe Nipple	
<b>21</b>	44136101	Rear Access Plate	
<b>22</b>	70240301	Screw	4 required
<b>23</b>	44061602P	High Temperature Ignition Lead	Models through 9/16/12; Use with 70367301P or 70367401P Ignition Control
	44239704	High Voltage Suppression Cable	Models starting 9/17/12; Use with 70458601P, 70458701P or 70483201P Ignition Control

**NOTE: For CE gas and orifice information, refer to Installation Manual.**

# Burner Orifices for Non-CE Models



TMB2978P\_70421801

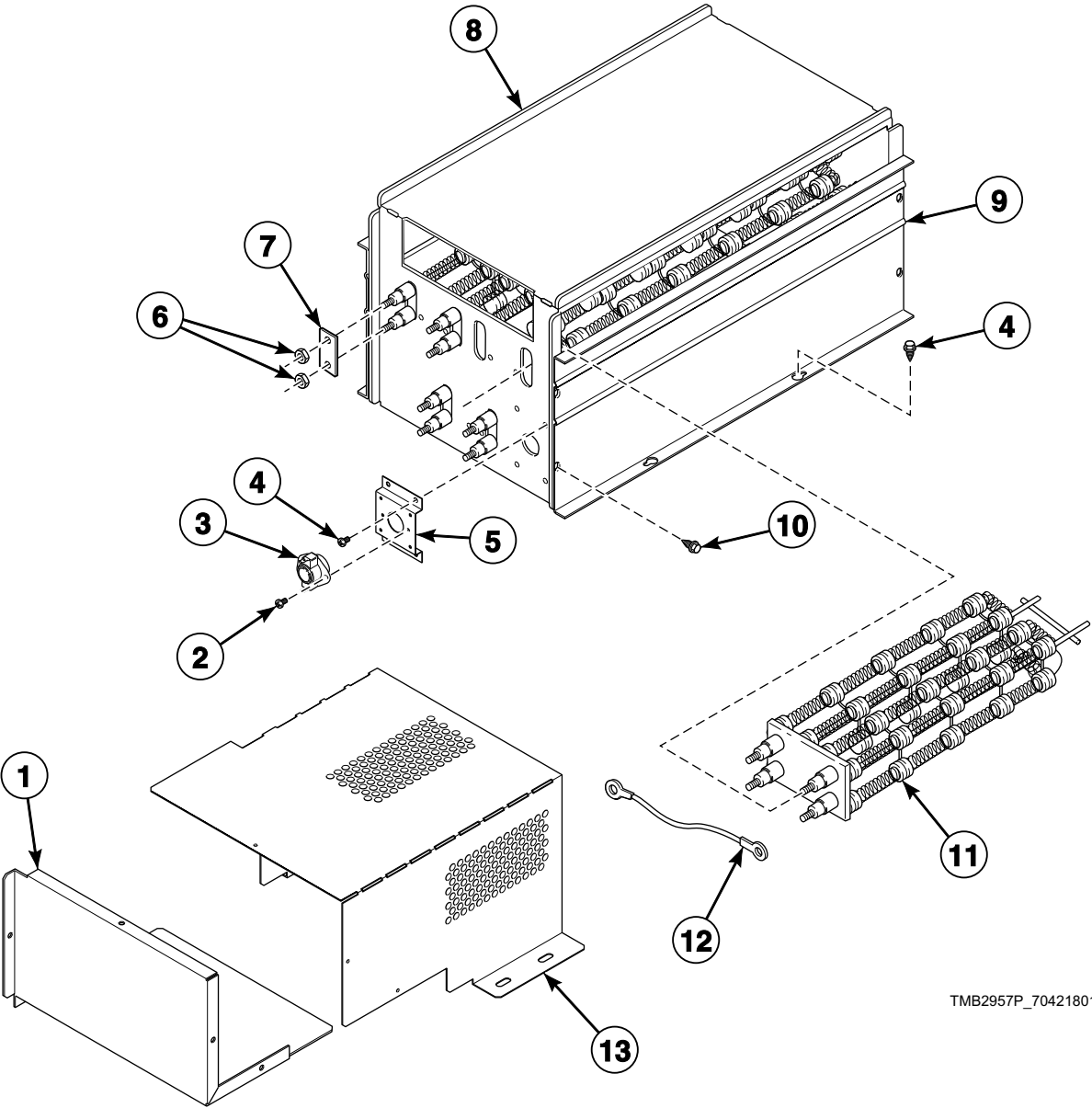


## Burner Orifices for Non-CE Models

REF	PART NO.	DESCRIPTION	COMMENTS
1	M400995	Burner Orifice	
	M406184	Burner Orifice	Liquid Petroleum Gas (L.P.); Drill no. 43 (2.3 mm); 0-4,000 feet; 2 required
	M401011	Burner Orifice	L.P.; Drill no. 44 (2.2 mm); 4,001-6,000 feet; 2 required
	M401027	Burner Orifice	L.P.; Drill no. 45 (2.1 mm); 6,001-8,000 feet; 2 required
	M401003	Burner Orifice	L.P.; Drill no. 46 (2.1 mm); 8,001-10,000 feet; 2 required
	M401000	Burner Orifice	Natural Gas (N.G.); Drill no. 26 (3.7 mm); 0-2,000 feet; 2 required
	M400998	Burner Orifice	N.G.; Drill no. 27 (3.7 mm); 2,001-4,000 feet; 2 required
	M401014	Burner Orifice	N.G.; Drill no. 28 (3.6 mm); 4,001-6,000 feet; 2 required
	M400997	Burner Orifice	N.G.; Drill no. 29 (3.5 mm); 6,001-8,000 feet; 2 required
	M401021	Burner Orifice	N.G.; Drill no. 30 (3.3 mm); 8,001-10,000 feet; 2 required

**NOTE: For CE gas and orifice information, refer to Installation Manual.**

# Electric Heater Components

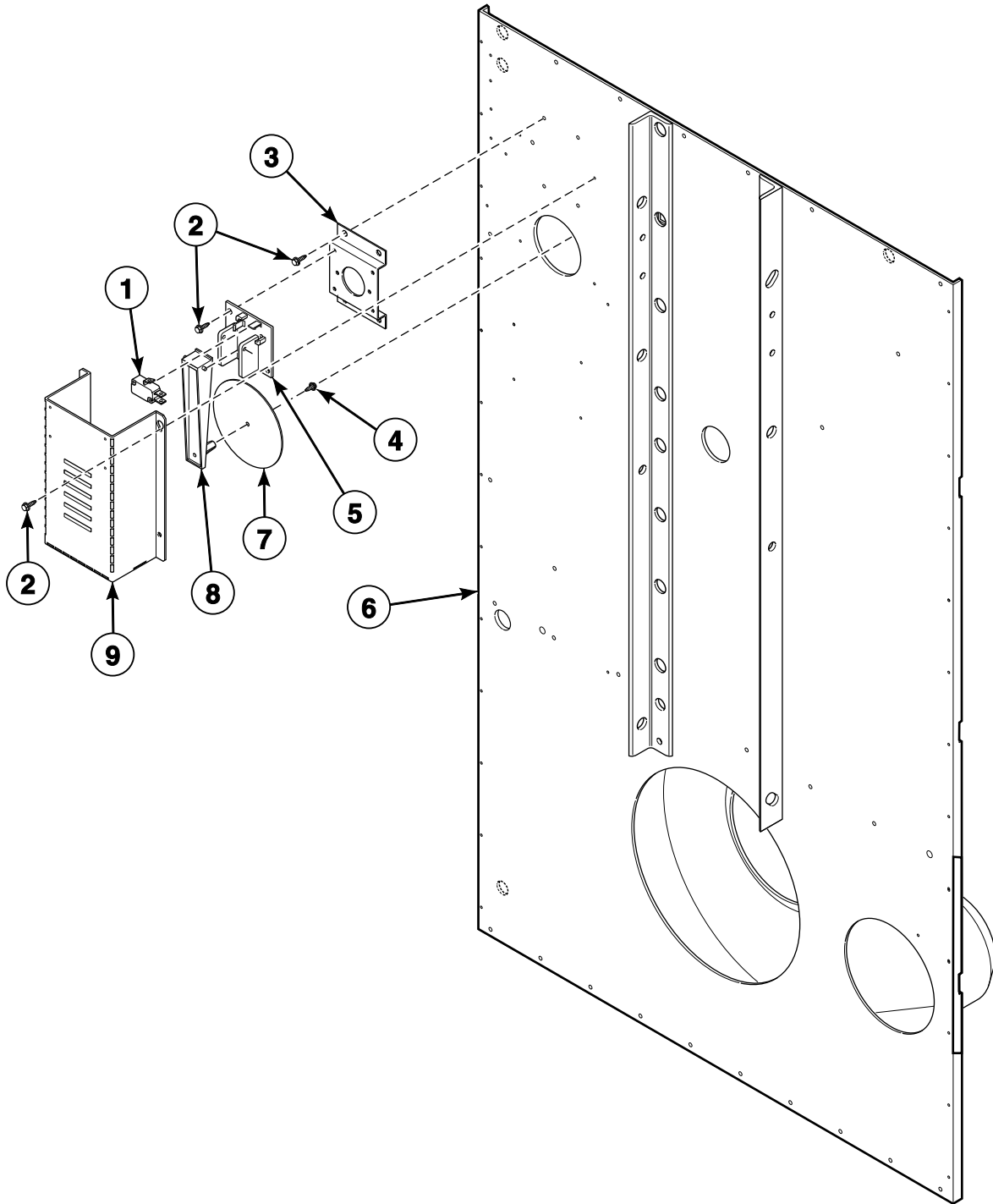


TMB2957P\_70421801

## Electric Heater Components

REF	PART NO.	DESCRIPTION	COMMENTS
1	44154901	Electric Accessory Box Cover	
2	33562	Screw	
3	M410542	Limit Thermostat	
4	430497	Screw	
5	70356301	Switch Bracket	
6	70054	Nut	
7	M400866	Jumper Bar	380 Volt/50 Hertz/3 Phase, 400-415 Volt/50 Hertz/3 Phase and 480 Volt/60 Hertz/3 Phase
	M400869	Jumper Strip	3 required for 480 Volt/60 Hertz/3 Phase; 6 required for all others
8	44153301	Heater Box Cover	
9	44154801	Heater Side	
10	70240301	Screw	
11	M410939P	Heater Element	3 required; 10 kW; 240 Volt heater element for 230-240, 400-415 and 480 Volt/3 Phase models
	M410940P	Heater Element	3 required; 10 kW; 208 Volt heater element for 200-208 Volt/3 Phase models; Non-CE and non-Australian models
	M410941P	Heater Element	3 required; 10 kW 220 Volt heater element for 380 and 440 Volt/3 Phase models
	M412955P	Heater Element	3 required; 7 kW; 240 Volt heater element for 230-240 Volt/1 Phase models; Non-CE and non-Australian models
12	M412287	Jumper Wire Assembly	1 required for 380 Volt/50 Hertz/3 Phase and 400-415 Volt/50 Hertz/3 Phase; 2 required for 480 Volt/60 Hertz/3 Phase
13	44154701	Electric Accessory Box Wrap	

# Airflow Switch Assembly



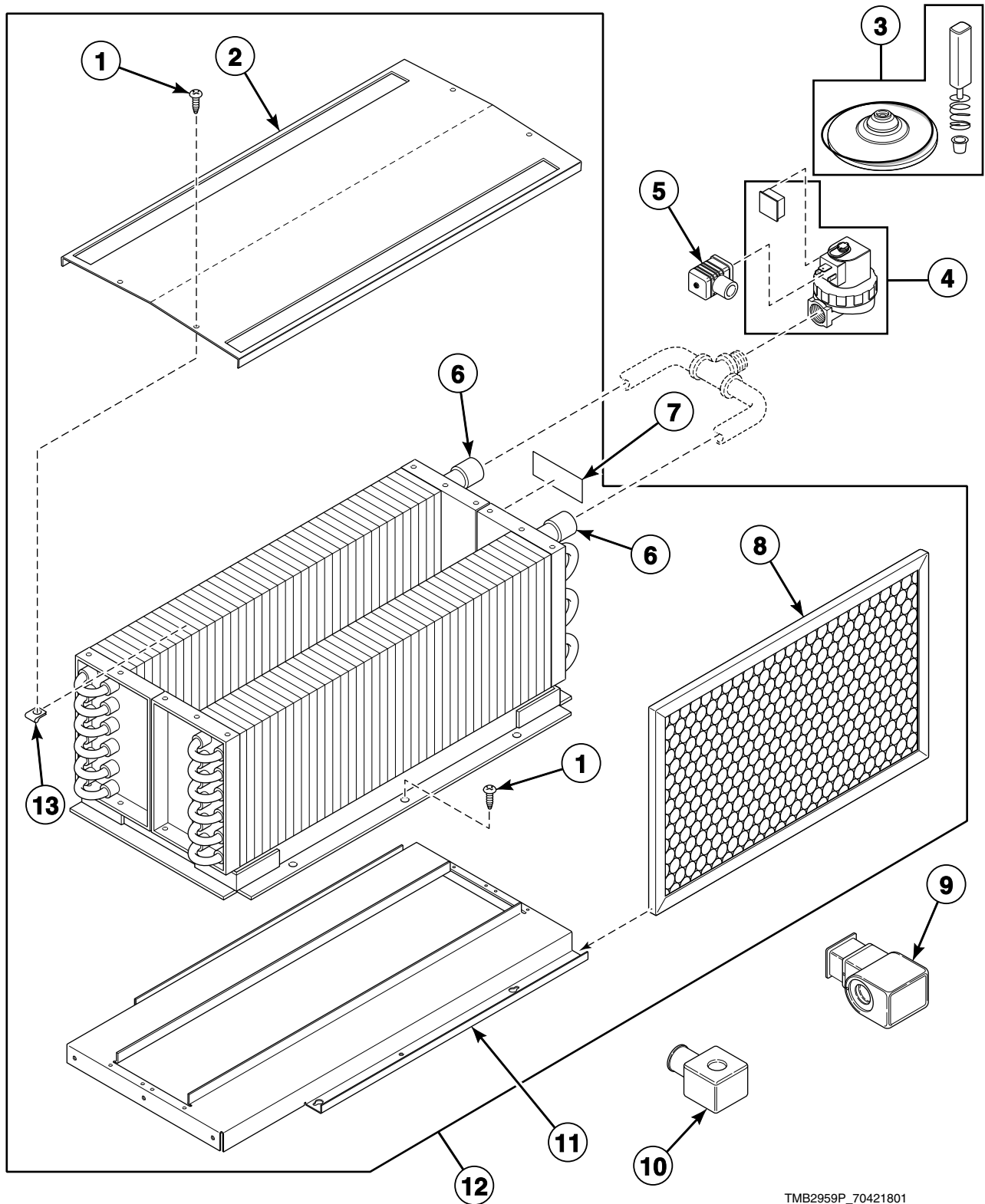
TMB3248P\_70421801

## Airflow Switch Assembly

REF	PART NO.	DESCRIPTION	COMMENTS
	70429602	Airflow Switch Assembly	Includes items 1, 4, 5, 7 and 8
1	70411901	Switch	
2	430497	Screw	6 required
3	70356301	Switch Bracket	
4	430757	Screw	
5	70319601	Airflow Switch and Arm Bracket	
6	44170401P	Rear Panel Assembly	
	N/A	Rear Panel Assembly	Bolt on angle option
7	70319202	Airflow Switch Vane	
8	70319401	Airflow Switch Arm	
9	44143501	Airflow Switch Cover	

**N/A = Part no longer available**

# Steam Heater and Valve

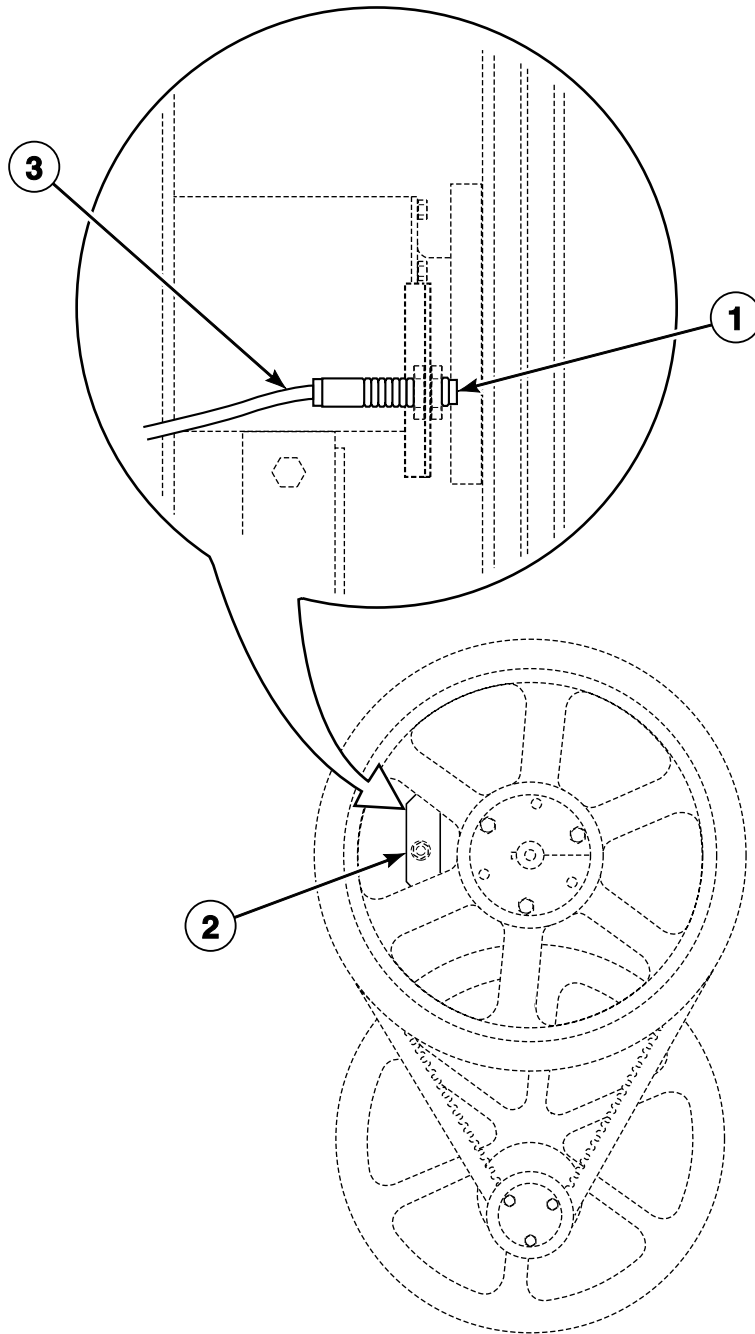


TMB2959P\_70421801

## Steam Heater and Valve

REF	PART NO.	DESCRIPTION	COMMENTS
	M405188	Screw	Thermal oil models; 8 required
	M414759	Top Cover	Thermal oil models
	M412997	Harness Assembly	
	F8514801	Valve Coil	Use with F8322902 Steam Valve
	F8382301	DIN Valve Adapter Kit	Use with F8322902 Steam Valve
<b>1</b>	23008	Screw	4 required
<b>2</b>	M400828	Low Pressure Steam Cover	
<b>3</b>	70351021P	Steam Valve Rebuild Kit	All models except thermal oil models; Parker; Use with 70351001P and 70351002P Steam Valves
	F8379502	Valve Rebuild Kit	All models except thermal oil models; Asco; Use with F8322902 and F8322903 Steam Valves
<b>4</b>	F8322903	Steam Valve	All models except thermal oil models; 50 Hertz
	F8521701	Valve Kit	All models except thermal oil models; 60 Hertz; Parker valve replacement kit
	F8322902	Steam Valve	Models starting Serial No. 1009000100; All models except thermal oil models; 60 Hertz; Asco
<b>5</b>	70370301P	Solenoid Valve DIN Connector	All models except thermal oil models
<b>6</b>	M400637P	Steam Coil	All models except thermal oil models; 2 required
<b>7</b>	902303	Steam Pressure Label	All models except thermal oil models; Near inlet to indicate maximum steam pressure
<b>8</b>	44172001	Filter	Aluminum; 2 required
	44104201	Air Filter	Fiberglass; 2 required
<b>9</b>	70351012	Steam Solenoid	All models except thermal oil models
<b>10</b>	70351011P	Steam Solenoid	All models except thermal oil models
<b>11</b>	44007501	Steam Stand Box	
<b>12</b>	44020401P	Steam Heater Assembly	All models except thermal oil models
<b>13</b>	36020	Nut	4 required

# Rotation Sensor



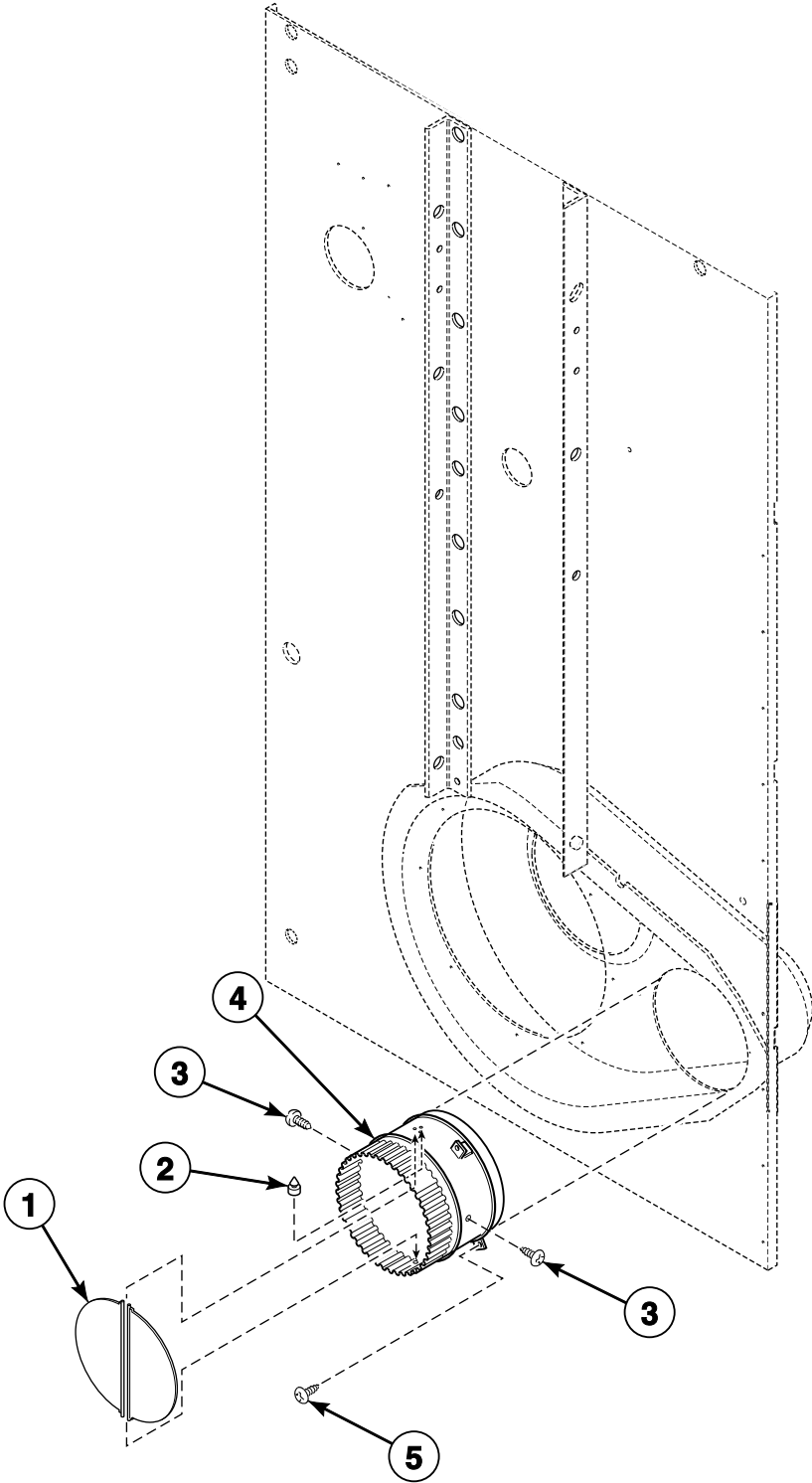
TMB2009P\_70421801



## Rotation Sensor

REF	PART NO.	DESCRIPTION	COMMENTS
	7009P	Rotation Sensor Kit	Includes item 1, 70476101 Rotation Sensor Harness and 44044401 Rotation Sensor Bracket
<b>1</b>	F8066201	Rotation Sensor	
<b>2</b>	44207501	Bracket	Models with EO, RE, RU and UO control suffixes
	44044501	Proximity Bracket	Models with 3B, 3O, 3V, 3W, 3X, DO, DV, DX and R3 control suffixes
<b>3</b>	F8066401	Rotation Sensor Harness	Models with EO, RE, RU and UO control suffixes
	70476101	Rotation Sensor Harness	Models with 3B, 3O, 3V, 3W, 3X, DO, DV, DX and R3 control suffixes

# Duct and Damper Assembly

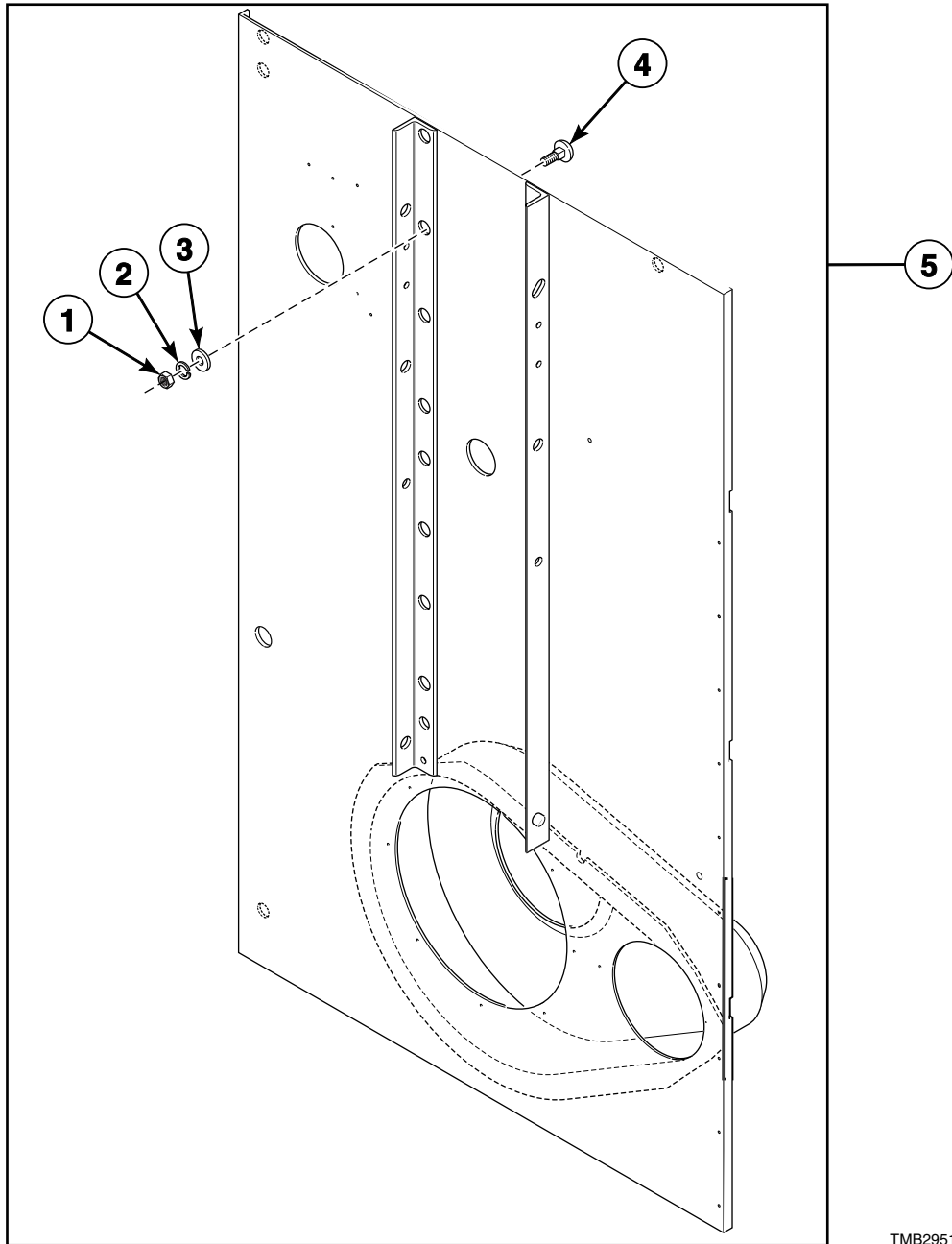


TMB2960P\_70421801

## Duct and Damper Assembly

REF	PART NO.	DESCRIPTION	COMMENTS
1	M400503	Thimble Vane Assembly	2 required
2	M400795	Bumper	
3	M405188	Screw	2 required
4	M412288	Exhaust Thimble Assembly	
5	M411072	Screw	3 required

# Rear Panel Assembly



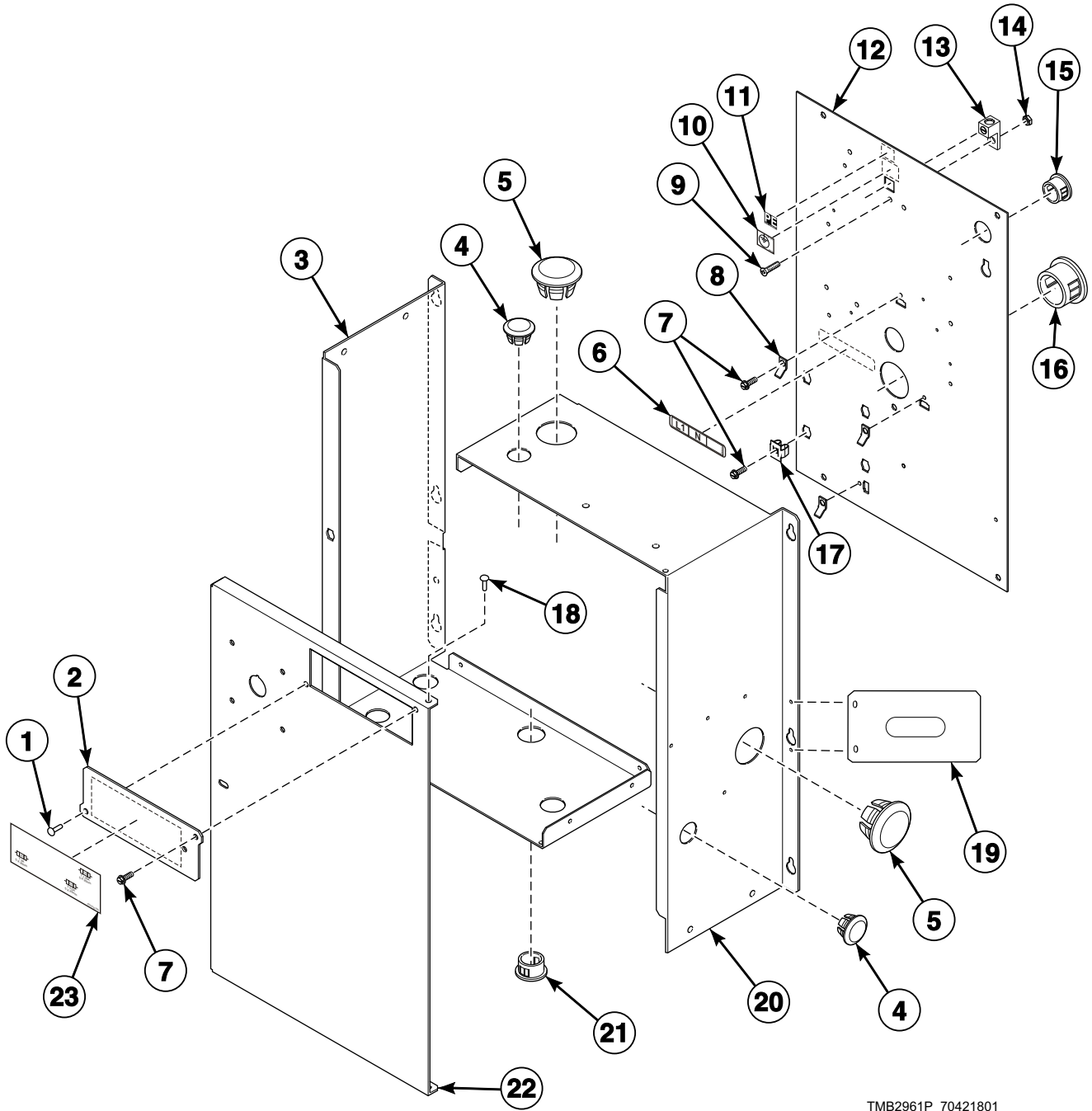
TMB2951P\_70421801

# Rear Panel Assembly

REF	PART NO.	DESCRIPTION	COMMENTS
	44170401P	Rear Panel Assembly	
1	20274	Nut	14 required
2	M400014	Washer	14 required
3	M400080	Washer	14 required
4	M405503	Bolt	14 required
5	N/A	Rear Panel Assembly	Bolt on angle option

**N/A = Part no longer available**

# Control Tray Wrap Components



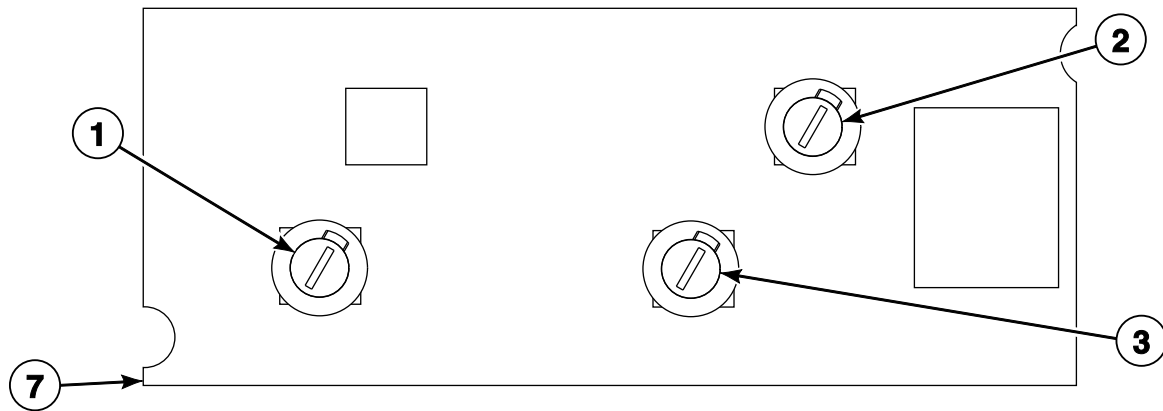
TMB2961P\_70421801

## Control Tray Wrap Components

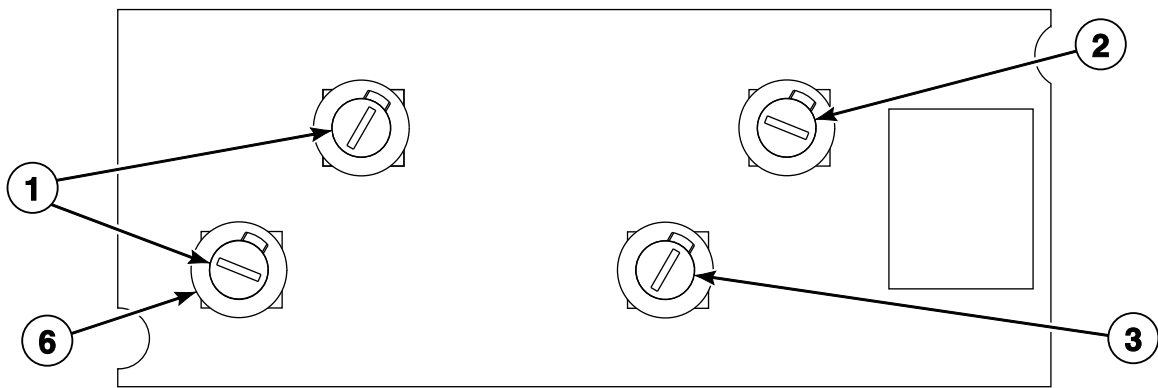
REF	PART NO.	DESCRIPTION	COMMENTS
1	70058501	Pop Rivet	
2	70313301	Fuse Cover	
3	44159001	Contactactor Box Side	
4	M400985	Plug	Gas models nonreversing 2 required, reversing 1 required; Steam and electric models nonreversing 3 required, reversing 2 required
5	F8223801	Hole Plug	Gas and steam models 2 required; Electric models 1 required
6	70218801	Wire Label	L1, N
	70218701	Wire Label	L1, L2, L3
	70219001	Wire Label	L1, N, L2; Gas and steam models
7	F8206901	Screw	4 required
8	00177	Male Tab Terminal	3 required
9	F430909	Screw	
10	F230739	Ground Decal	
11	M412096	Earth Terminal Sticker	
12	44133701	Contactactor Box Base	
13	M411283	Ground Lug Connector	
14	F430232	Nut	
15	44071501	Snap Bushing	Gas models
16	M405340	Snap Bushing	Gas and steam models 1 required; Electric models 2 required
17	70030501	Expansion Clip	5 required
18	70058502	Pop Rivet	2 required
19	44175801	Pipe Bracket	
20	44158901	Contactactor Box Side	
21	70178701	Snap Bushing	
22	44134001	Contactactor Box Cover	Gas and steam non-CE models
	44134002	Contactactor Box Cover	Gas and steam CE models
	44134003	Contactactor Box Cover	Electric models
23	70337301	Fuse Label	3 fuses
	70337201	Fuse Label	4 fuses; Models with less than 380 Volts
	70337401	Fuse Label	4 fuses; Models with 380 Volts or higher

# Control Tray Fuses

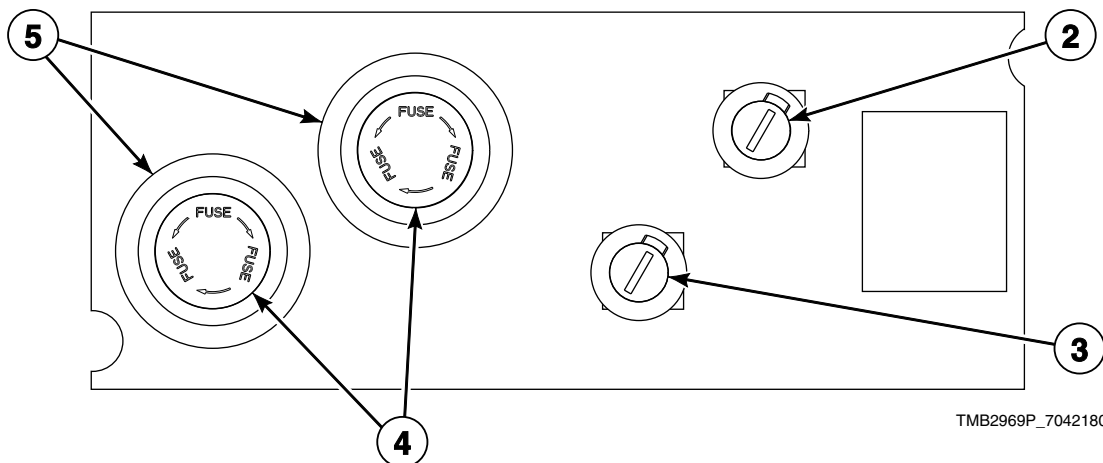
MODELS WITH LESS THAN 380 VOLTS/1 PHASE



MODELS WITH LESS THAN 380 VOLTS/3 PHASE



MODELS WITH 380 VOLTS OR HIGHER/3 PHASE



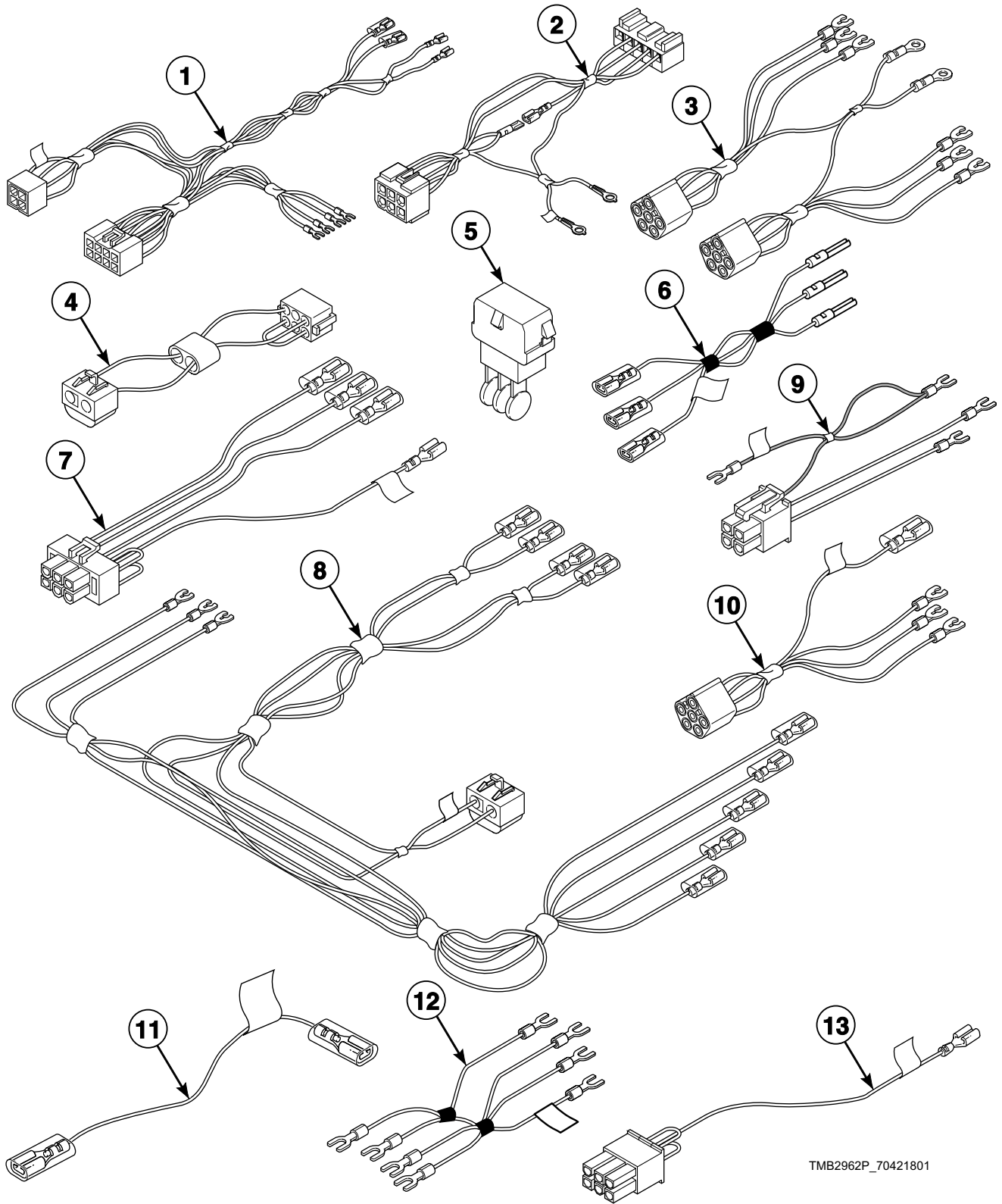
TMB2969P\_70421801



## Control Tray Fuses

REF	PART NO.	DESCRIPTION	COMMENTS
1	70406701	Fuse	2 Amp
2	70406501	Fuse	1.25 Amp
3	70406601	Fuse	3.5 Amp
4	44310001	Fuse	.5 Amp
5	44155601P	Fuse Holder	
6	70329401P	Fuse Holder Body	
	70329501	Fuse Holder Cap	
7	70313602	Fuse Bracket	Models with 380 Volts or higher
	70306901	Fuse Bracket	Models with less than 380 Volts

# Control Tray Harnesses for Gas and Steam Models

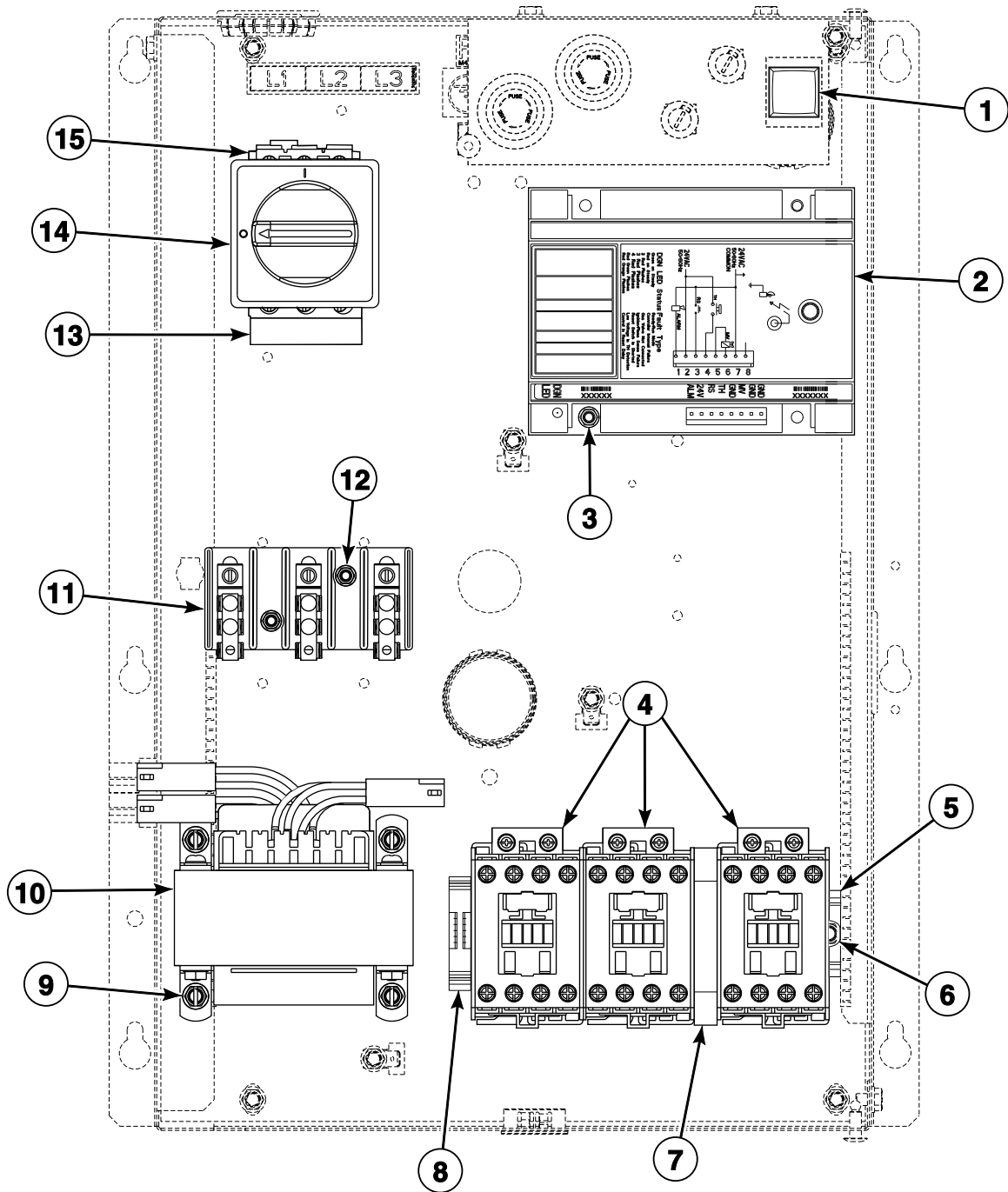


TMB2962P\_70421801

## Control Tray Harnesses for Gas and Steam Models

REF	PART NO.	DESCRIPTION	COMMENTS
1	44136701P	Junction Box Harness	
2	44186701	Ignition Control Harness	Non-CE gas models
	44186901	Ignition Control Harness	CE gas models; Models with EO, RE, RU and UO control suffixes
	44136601P	Ignition Control Harness	CE gas models; Models with all other control suffixes
3	44139901P	Motor Contactor Harness	1 Phase; Reversing
	44142601P	Motor Contactor Harness	3 Phase; Reversing
4	M413506	Jumper Harness Assembly	208 Volt
	M413507	Jumper Configuration Assembly	240 Volt
	M413508	Jumper Harness Assembly	380 Volt
	M413510	Jumper Configuration Assembly	480 Volt
5	M413863	Network Capacitor Assembly	
6	70342101	Gas Disconnect Harness	CE models
7	44143401P	Network Capacitor Harness Assembly	
8	44136201P	Power Harness	3 Phase models with 380 Volts or higher
	44136301P	Power Harness	3 Phase models with less than 380 Volts
	44139801P	Power Harness	1 Phase; Models through 7/8/12
	44250001	Power Harness	1 Phase; Models starting 7/9/12
	44266501	Power Harness	120 Volt/1 Phase
9	44139601P	Reversing Contactor Harness	
10	44137001P	Motor Contactor Harness	3 Phase
	44136401	Motor Contactor Harness	1 Phase
11	70389901	Steam Stove Limit Bypass Harness	Steam models
12	44157401	Reversing Contactor Jumper Wire	1 Phase; Upper
	44255001	Reversing Contactor Jumper Harness	120 Volt/1 Phase; Upper
	44139501	Reversing Contactor Jumper	1 Phase; Lower
	44136801	Reversing Contactor Jumper Assembly	Upper
	44136901	Reversing Contactor Jumper Assembly	Lower
13	44142801	Steam Configuration Harness	Steam models

# Control Tray Components for Gas Models

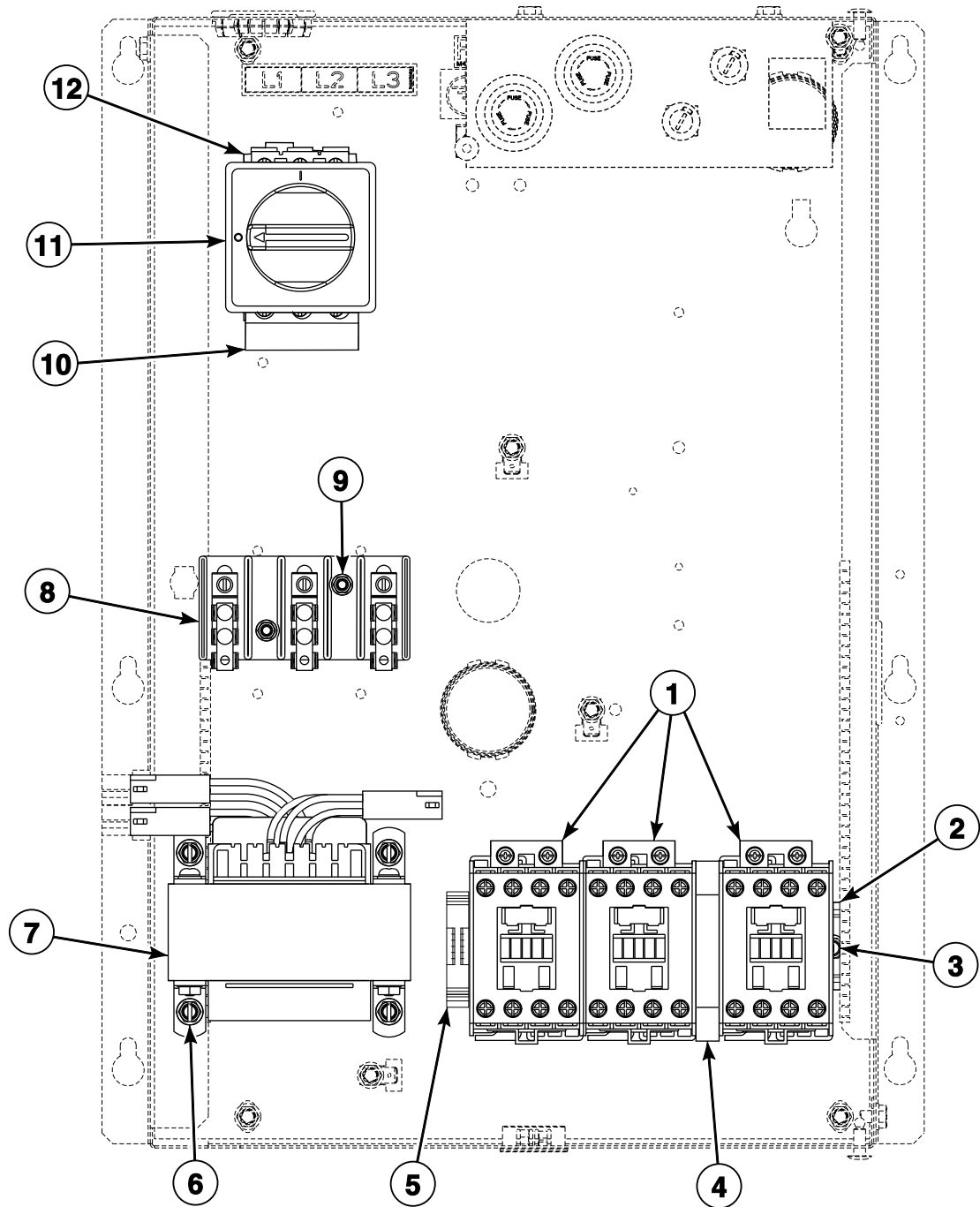


TMB3093P\_70421801

## Control Tray Components for Gas Models

REF	PART NO.	DESCRIPTION	COMMENTS
1	M413431	Pushbutton Switch	CE and Australian models
2	44264601	Ignition Control Kit	Non-CE and non-Australian models; Models through 9/16/12; Use with 44239704 High Voltage Suppression Cable
	70458601P	Ignition Control	Non-CE and non-Australian models; Models starting 9/17/12; Use with 44239704 High Voltage Suppression Cable
	44264701	Ignition Control Kit	CE and Australian models; Models through 9/16/12; Use with 44239704 High Voltage Suppression Cable
	70483201P	Ignition Control	CE and Australian models; Models starting 9/17/12; Use with 44239704 High Voltage Suppression Cable
3	38272	Screw	
4	70323701P	Contactors	Nonreversing 1 required, reversing 3 required
5	M412693	Din Rail	
6	430497	Screw	2 required
7	F330186P	Interlock Contactor	Reversing
8	70121001	End Stop	
9	M411072	Screw	4 required
10	M414228P	Transformer	Multitap; 100-240 Volt
	M414229P	Transformer	Multitap; 380-480 Volt
	44074401	Transformer	Dual secondary; 440 Volt
	M414230P	Transformer	Single secondary; 120 Volt
	M414312P	Transformer	Dual secondary; 120 Volt
11	430642	Terminal Block	Use 70333001 Terminal Block Shield to protect terminal block
12	51783	Screw	2 required
13	M412366	Finger Guard	CE models through 7/31/11
14	M412208	Handle	CE models through 7/31/11; 44160701 Extension Handle attaches to operator handle; M412368 Door Interlock mounts under operator handle
	44160701	Extension Handle	
	M412368	Door Interlock	
15	M412187P	Mounting Switch Base	CE models through 7/31/11; Use 51782 Screw to attach

# Control Tray Components for Steam Models

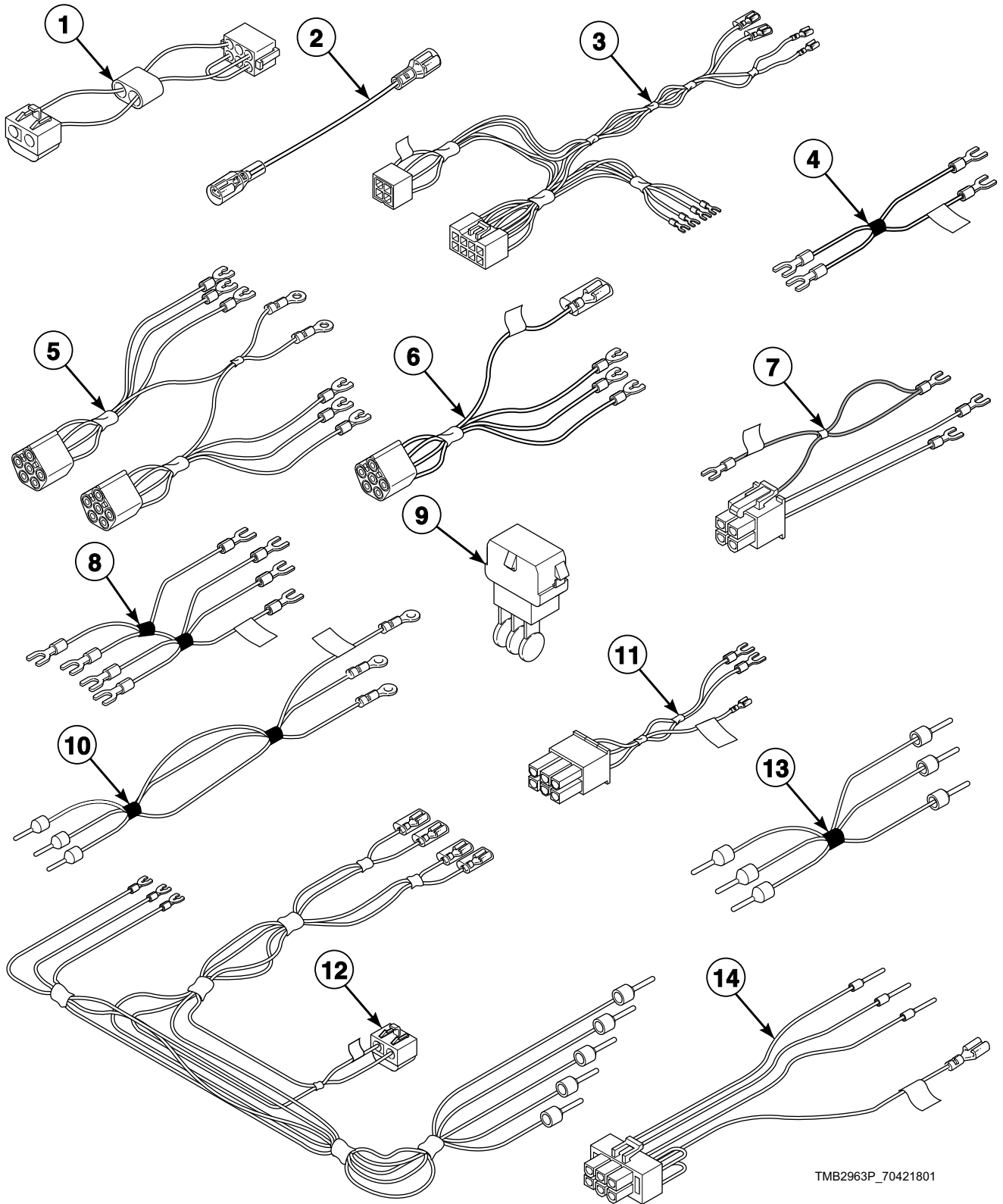


TMB3097P\_70421801

## Control Tray Components for Steam Models

REF	PART NO.	DESCRIPTION	COMMENTS
1	70323701P	Contactors	Nonreversing 1 required, reversing 3 required
2	M412693	Din Rail	
3	430497	Screw	2 required
4	F330186P	Interlock Contactor	Reversing
5	70121001	End Stop	
6	M411072	Screw	4 required
7	M414228P	Transformer	Multitap; 100-240 Volt
	M414229P	Transformer	Multitap; 380-480 Volt
	44074401	Transformer	Dual secondary; 440 Volt
	M414230P	Transformer	Single secondary; 120 Volt
	M414312P	Transformer	Dual secondary; 120 Volt
8	430642	Terminal Block	Use 70333001 Terminal Block Shield to protect terminal block
9	51783	Screw	2 required
10	M412366	Finger Guard	CE models through 7/31/11
11	M412208	Handle	CE models through 7/31/11; 44160701 Extension Handle attaches to operator handle; M412368 Door Interlock mounts under operator handle
	44160701	Extension Handle	
	M412368	Door Interlock	
12	M412187P	Mounting Switch Base	CE models through 7/31/11; Use 51782 Screw to attach

# Control Tray Harnesses for Electric Models



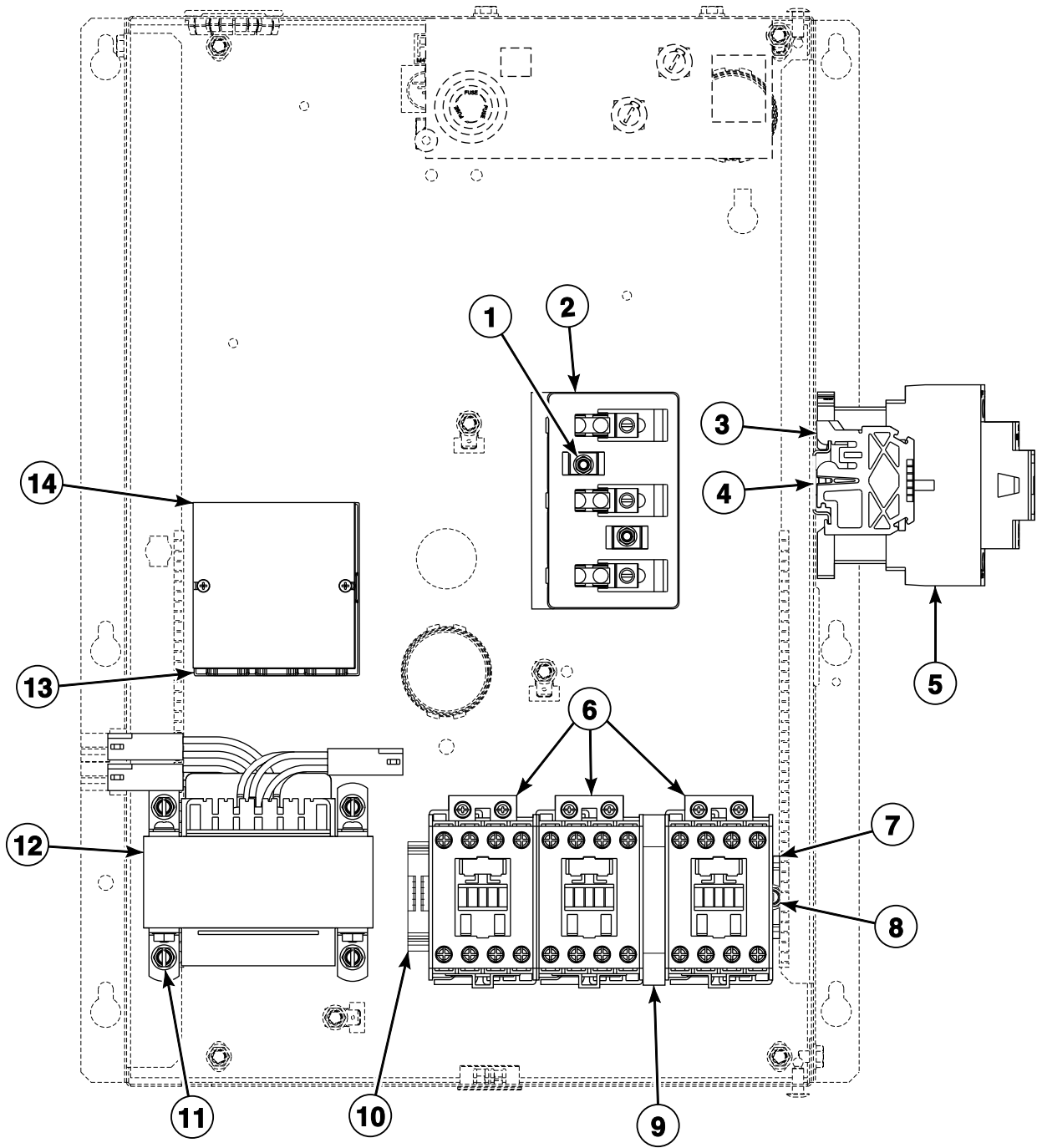
TMB2963P\_70421801



## Control Tray Harnesses for Electric Models

REF	PART NO.	DESCRIPTION	COMMENTS
1	M413506	Jumper Harness Assembly	208 Volt
	M413507	Jumper Configuration Assembly	240 Volt
	M413508	Jumper Harness Assembly	380 Volt
	M413509	Jumper Harness Assembly	415 Volt
	M413510	Jumper Configuration Assembly	480 Volt
2	44014501	Jumper Wire	6 gauge; 4.5 inches
3	44136701P	Junction Box Harness	
4	70355801P	Electric Contactor Jumper Set Harness	
5	44139901P	Motor Contactor Harness	1 Phase; Reversing
	44142601P	Motor Contactor Harness	3 Phase; Reversing
6	44137001P	Motor Contactor Harness	3 Phase
	44136401	Motor Contactor Harness	1 Phase
7	44139601P	Reversing Contactor Harness	
8	44157401	Reversing Contactor Jumper Wire	1 Phase; Upper
	44139501	Reversing Contactor Jumper	1 Phase; Lower
	44136801	Reversing Contactor Jumper Assembly	Upper
	44136901	Reversing Contactor Jumper Assembly	Lower
9	M413863	Network Capacitor Assembly	
10	44151801P	Heater Cable Set	H1-H3
	44151901P	Heater Cable Set	H4-H6
11	44150701P	Electric Configuration Harness	
12	44150901	Power Harness	3 Phase models with less than 380 Volts
	44151001	Power Harness	3 Phase models with 380 Volts or higher
	44139801P	Power Harness	1 Phase
13	44151101	Cable Set	CB1 Power; CE models
	44151201	Cable Set Assembly	CB2 Power; CE models
	44151301	Cable Set Assembly	CB3 Power; CE models
	44151401	Cable Set Assembly	CB2 to HC2
	44151601	Cable Set	PDB to HC1
	44151701	Cable Set	PDB to HC2
	44155301	Cable Set Assembly	CB3 to HC1
14	44152001	Network Capacitor Harness Assembly	

# Control Tray Components for Non-CE Electric Models

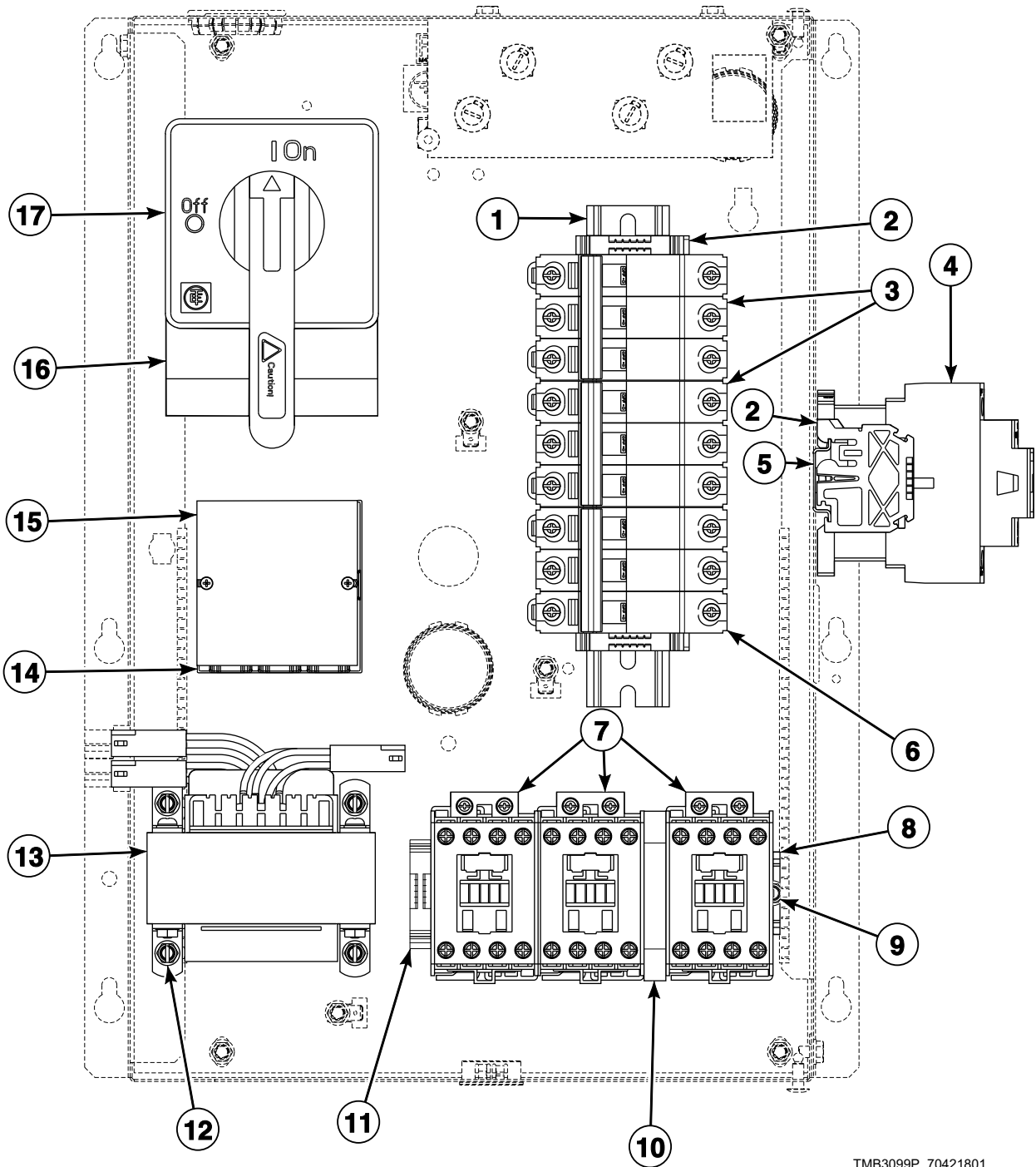


TMB3098P\_70421801

## Control Tray Components for Non-CE Electric Models

REF	PART NO.	DESCRIPTION	COMMENTS
1	51783	Screw	240 Volt/50 Hertz/1 Phase; 2 required
2	430642	Terminal Block	240 Volt/50 Hertz/1 Phase; Use 70333001 Terminal Block Shield to protect terminal block
3	70121001	End Stop	2 required
4	M412690	Din Rail	
5	70343301P	Contactor	Heat; Models with 380 Volts or higher 1 required; models with less than 380 Volts 2 required
6	70323701P	Contactor	Motor; Nonreversing 1 required; reversing 3 required
7	M412693	Din Rail	
8	430497	Screw	2 required
9	F330186P	Interlock Contactor	Reversing
10	70121001	End Stop	
11	M411072	Screw	4 required
12	M414228P	Transformer	Multitap; 100-240 Volt
	M414229P	Transformer	Multitap; 380-480 Volt
	44074401	Transformer	Dual secondary; 440 Volt
13	M413865	Terminal Block	Use 39733 Screw to attach
14	44014901P	Power Distribution Block Cover	Mounts over top of item 13 for protection

# Control Tray Components for CE Electric Models



TMB3099P\_70421801

## Control Tray Components for CE Electric Models

REF	PART NO.	DESCRIPTION	COMMENTS
1	N/A	Din Rail	Use 2 of 430497 Screw to attach
2	70121001	End Stop	3 required
3	M412408P	Circuit Breaker	2 required for 230 Volt/50 Hertz/3 Phase
4	70343301P	Contactor	Heat; Models with 380 Volts or higher 1 required; models with less than 380 Volts 2 required
5	M412690	Din Rail	Use 2 of 430497 Screw to attach
6	M412407P	Circuit Breaker	
7	70323701P	Contactor	Motor; Nonreversing 1 required; reversing 3 required
8	M412693	Din Rail	Use 2 of 430497 Screw to attach
9	430497	Screw	2 required
10	F330186P	Interlock Contactor	Reversing
11	70121001	End Stop	
12	M411072	Screw	4 required
13	M414228P	Transformer	Multitap; 100-240 Volt
	M414229P	Transformer	Multitap; 380-480 Volt
	44074401	Transformer	Dual secondary; 440 Volt
14	M413865	Terminal Block	Use 39733 Screw to attach
15	44014901P	Power Distribution Block Cover	Mounts over top of item 14 for protection
16	M412367	Finger Guard	Models through 7/31/11
17	70268001	Handle	Models through 7/31/11; M412371P Extension Handle attaches to operator handle; M412369 Door Interlock mounts under operator handle; Whole assembly mounts to M412186 Mounting Base which is attached with 2 of 33562 Screw
	M412371P	Extension Handle	
	M412369	Door Interlock	
	M412186	Mounting Switch Base	

**N/A = Part no longer available**



# Parts Index

## A

Access Panel Trim 70399402 .....	63
Adjustable Buzzer 505447 .....	23
Air Filter 44104201 .....	109
Airflow Switch and Arm Bracket 70319601 .....	107
Airflow Switch Arm 70319401 .....	107
Airflow Switch Assembly 70429602 .....	107
Airflow Switch Cover 44143501 .....	107
Airflow Switch Vane 70319202 .....	107

## B

Baffle 44004901 .....	71
44005201 .....	71
44065501 .....	71
Baffle Gasket 70015701 .....	71
Ball Bearing M401375P .....	91
44041901P .....	79
Base Harness Assembly 44137501P .....	65
Bearing F100136P .....	79
Bearing Retainer M401370 .....	91
Belt M401182P .....	87, 89
M412090 .....	83
M412981 .....	83, 85
Belt Guard M413008 .....	97
M413541 .....	81
Belt Guard Assembly 44132401 .....	87, 89
44132402 .....	83, 85
44132408 .....	89
44132409 .....	85
Belt Idler Assembly 44209001 .....	85, 89
Blower 44127401P .....	97
Blower Inlet Cone 70014101 .....	69
Bolt M400650 .....	79
M401393 .....	83, 85, 89, 97
M405503 .....	115

Bottom Pan 44000601P .....	71
Bracket 44065901 .....	17
44207501 .....	111
44263501 .....	25
Bumper M400795 .....	113
Burner Assembly M410541P .....	101
Burner Orifice M400995 .....	103
M400997 .....	103
M400998 .....	103
M401000 .....	103
M401003 .....	103
M401011 .....	103
M401014 .....	103
M401021 .....	103
M401027 .....	103
M406184 .....	103
Burner Support 44110201 .....	101
Bushing M412086P .....	83
M412885P .....	83
M412917P .....	83
Bypass Harness 70364103 .....	21, 25, 27, 33, 43, 51, 53, 55, 59

## C

Cable Set 44151101 .....	127
44151601 .....	127
44151701 .....	127
Cable Set Assembly 44151201 .....	127
44151301 .....	127
44151401 .....	127
44155301 .....	127
Cam and Hinge Kit M4772P3 .....	75
M4773P3 .....	75
Card Reader and Bracket Assembly 510068P .....	33
Card Reader Overlay 70334201 .....	33, 35
70334301 .....	33, 35, 51
Central Pay Harness 70484601 .....	31, 41, 49
70491501 .....	25
Central Pay Interface Control Assembly 209/00471/75 .....	25
Circuit Board Support 501523 .....	17
Circuit Breaker M412407P .....	131
M412408P .....	131
Clean Lint Compartment Sticker 70114001 .....	67

N/A items do not appear in index.

Coin Box		Contact Base	
F160673P .....	71	F8538101 .....	57
Coin Chute Assembly		Contact Block Switch	
70296401 .....	71	F200233401P .....	57
Coin Cover Overlay		Contact Switch	
70246301 .....	29, 33, 49	F8069501 .....	57
Coin Drop		Contactactor	
38963P .....	37	70323701P .....	123, 125, 129, 131
39748 .....	37	70343301P .....	129, 131
70256402P .....	37	Contactactor Box Base	
70429001 .....	37	44133701 .....	117
70441601P .....	37	Contactactor Box Cover	
Coin Drop Assembly		44134001 .....	117
CK114 .....	37	44134002 .....	117
CK123 .....	37	44134003 .....	117
210195 .....	37	Contactactor Box Side	
210196 .....	37	44158901 .....	117
38462P .....	37	44159001 .....	117
38463 .....	37	Control	
38464P .....	37	44063801P .....	17
38467 .....	37	Control Assembly	
38472 .....	37	44013601P .....	27
38475 .....	37	511867P .....	29, 33
38519 .....	37	512202P .....	21
38521 .....	37	513139P .....	19
39157 .....	37	514273P .....	29, 33
44039701P .....	37	70434101P .....	53, 55
44039702 .....	37	70437102P .....	55
44039703 .....	37	70437103P .....	55
44039704 .....	37	70437104P .....	55
44039705 .....	37	70437105P .....	55
44039706 .....	37	70450501P .....	41, 43
44039707 .....	37	70450502P .....	49, 51
70281102 .....	37	70450503 .....	41, 43
70283102 .....	37	70450504 .....	49, 51
70441602 .....	37	70454001P .....	53
70447301 .....	37	70454101P .....	55
70471601 .....	37	70462305P .....	25
70482401 .....	37	70462306P .....	25
Coin Drop Kit		70462365P .....	25
CK077 .....	37	70462366P .....	25
CK122 .....	39	70462372 .....	25
Coin Drop Overlay		70503101P .....	21
39564 .....	29, 41	70503702P .....	55
Coin Drop Overlay Kit		Control Box Assembly	
70321201 .....	29	44180101 .....	15
Coin Drop Switch		Control Box Base	
70286101P .....	37	44065301 .....	17
Coin Identification Paper		Control Box Cover	
38725 .....	37	44065201 .....	17
Coin Vault Assembly		Control Box Housing	
70180101 .....	71	44065101 .....	17
Coin Vault Switch Harness		Control Box Top	
70364104P .....	19, 25, 31, 41, 49, 59	44065401 .....	17
Coin Vault Trim		Control Chassis Mounting Bracket	
70117501 .....	59	70357901 .....	19, 21
70117502 .....	59	Control Conversion Kit	
Communication Board		M4797P3 .....	23
210095P .....	47	Control Door Assembly	
210097 .....	47	70363401 .....	19
Communication Connector		Control Door Latch	
210099 .....	47	431318 .....	71
Communication Wire Harness Assembly		Control Harness	
800246 .....	45	44100101P .....	21
Cone Plate			
44150201 .....	69		

N/A items do not appear in index.





Door Glass Installation Tool M4221P4 .....	73
Door Handle 44007901 .....	73
44057702 .....	73
44263801 .....	73
Door Handle Assembly 44029101 .....	73
Door Hinge Assembly 44075203* .....	75
44075204 .....	75
44075208B .....	75
44075208LG .....	75
44075211 .....	75
Door Hinge Lug Assembly 44035001 .....	59, 75
44035002 .....	59, 75
Door Interlock M412368 .....	123, 125
M412369 .....	131
Door Latch M401223 .....	59
Door Ring and Handle Assembly 44112001 .....	73
44326007B .....	73
44326007LG .....	73
Door Ring Assembly 44326002 .....	73
44326003B .....	73
44326004B .....	73
44326005 .....	73
44326006 .....	73
Door Ring Gasket 44008201P .....	73
Door Seal Kit 70211902P .....	73
Door Switch Actuator Kit 70215001P .....	75
Door Switch Harness 44137601 .....	59
Double V Sheave M412916 .....	83
Drive Motor 44253201 .....	81
Drive Rivet M400713 .....	17
Drum Idler Wheel Assembly 430619 .....	89, 93

## E

Earth Terminal Sticker M412096 .....	117
Elbow 70079601 .....	101
Electric Accessory Box Cover 44154901 .....	105
Electric Accessory Box Wrap 44154701 .....	105
Electric Configuration Harness 44150701P .....	127
Electric Contactor Jumper Set Harness 70355801P .....	127

N/A items do not appear in index.

Electronic Coin Drop Assembly 70294103P .....	37
70294104 .....	37
70294105P .....	37
70294106 .....	37
70294107 .....	37
70294111 .....	37
70294116 .....	37
70294117 .....	37
70294119 .....	37
70294120 .....	37
70294121 .....	37

Electronic Coin Drop Kit CK099 .....	39
CK100 .....	39
CK101 .....	39
CK103 .....	39
CK108 .....	39
CK109 .....	39
CK113 .....	39
CK115 .....	39
CK116 .....	39
CK117 .....	39
CK118 .....	39
CK119 .....	39
CK120 .....	39
CK121 .....	39

Electronic Control 44037801P .....	23
---------------------------------------	----

Emergency Stop Contact Harness 70364105P .....	57
---	----

Emergency Stop Harness 70364106P .....	57
---	----

Emergency Stop Label 44012901 .....	57
--	----

Emergency Stop Pushbutton F200233500 .....	57
---	----

End Stop 70121001 .....	123, 125, 129, 131
----------------------------	--------------------

Ethernet Gateway Kit NK320 .....	41, 43, 53
-------------------------------------	------------

Exhaust Thimble Assembly M412288 .....	113
---	-----

Expansion Clip 70030501 .....	59, 117
----------------------------------	---------

Extension Handle M412371P .....	131
44160701 .....	123, 125

Extension Spring M412120 .....	89, 93
-----------------------------------	--------

## F

Fan Motor 44045901P .....	99
44046001P .....	99

Fan Motor Harness 44137201P .....	97
44169901 .....	97

Felt Pad M402144 .....	77
---------------------------	----

Ferrite Core Assembly M413930P .....	27
---	----

Fill Hose Kit	
38349P .....	17
Filter	
44172001 .....	109
Finger Guard	
M412366 .....	123, 125
M412367 .....	131
Fire Suppression System Label	
44128901 .....	63
Foam Gasket	
70414101 .....	19, 21, 23, 25, 27, 29, 33, 35, 41, 43, 49, 51
Front Panel	
44052517DG .....	63
44052517LG .....	63
44052518DG .....	63
44052518LG .....	63
44052519DG .....	63
44052520DG .....	63
Front Panel Assembly	
44077901*P .....	63
44077902P .....	63
44077903WP .....	63
44077904P .....	63
44077905*P .....	63
44077906P .....	63
44077907*P .....	63
44077908P .....	63
44077917 .....	63
44077918 .....	63
44077919 .....	63
44077920 .....	63
Front Pillar	
44001201 .....	65
Fuse	
44310001 .....	119
70406501 .....	27, 119
70406601 .....	119
70406701 .....	119
Fuse Bracket	
70306901 .....	119
70313602 .....	119
Fuse Cover	
70313301 .....	117
Fuse Holder	
44155601P .....	119
Fuse Holder Body	
70329401P .....	119
Fuse Holder Cap	
70329501 .....	119
Fuse Label	
70337201 .....	117
70337301 .....	117
70337401 .....	117

## G

Gas Disconnect Harness	
70342101 .....	121
Gas Stove Assembly	
44136001 .....	101
Gas Valve	
M413468P .....	101
44154501P .....	101

44154502P .....	101
44178301P .....	101
44178302P .....	101
44181601P .....	101
44181602 .....	101
Gas Valve Bracket	
44175701 .....	101
Gas Valve Harness	
70184001 .....	101
Gas Valve Harness Assembly	
M413650 .....	101
Graphic Overlay	
44050501 .....	25
44050502 .....	25
44239401 .....	25
44239402 .....	25
44239403 .....	25
44240501 .....	25
Ground Decal	
F230739 .....	117
Ground Lug Connector	
M411283 .....	117
Guard Extension	
44222501 .....	85, 89
Guide Rail	
M412476 .....	83, 85, 87, 89, 93

## H

Handle	
M412208 .....	123, 125
70268001 .....	131
Handle and Caps Assembly	
70154405 .....	67
70154406 .....	67
Handle Bar	
70399501B .....	73
Handle Bumper	
70407202 .....	67
70407210 .....	67
Harness Assembly	
M412997 .....	101, 109
Heater Box Cover	
44153301 .....	105
Heater Cable Set	
44151801P .....	127
44151901P .....	127
Heater Element	
M410939P .....	105
M410940P .....	105
M410941P .....	105
M412955P .....	105
Heater Side	
44154801 .....	105
High Temperature Ignition Lead	
44061602P .....	101
High Voltage Suppression Cable	
44239704 .....	101
Hold-Down Clip	
35865 .....	69
Hole Plug	
F8223801 .....	117

N/A items do not appear in index.

Hose	
44073301 .....	17
Hose Clamp	
36801 .....	17
Hose Fitting	
44069101 .....	17
Housing and Trunnion Assembly	
M4644P3 .....	79
M4645P3 .....	79
44336302 .....	79

## I

Idler Arm	
44102701 .....	89, 93
Idler Housing	
M412612 .....	91
Idler Housing Assembly	
44107101 .....	85, 89
Idler Housing Kit	
917P3 .....	91
943P3P .....	93
Idler Shaft	
M414241 .....	91
Idler/Belt Assembly Kit	
942P3P .....	93
Ignition Control	
70458601P .....	123
70483201P .....	123
Ignition Control Harness	
44136601P .....	121
44186701 .....	121
44186901 .....	121
Ignition Control Kit	
44264601 .....	123
44264701 .....	123
Insulation	
44020601 .....	61
44150102 .....	71
44150103 .....	71
Interlock Contactor	
F330186P .....	123, 125, 129, 131

## J

Jumper Bar	
M400866 .....	105
Jumper Calibration Wire	
70084304 .....	27
70084305 .....	27
70324604 ....	19, 21, 25, 31, 33, 41, 43, 49, 51, 53, 55
Jumper Configuration Assembly	
M413507 .....	121, 127
M413510 .....	121, 127
Jumper Harness Assembly	
M413506 .....	121, 127
M413508 .....	121, 127
M413509 .....	127
Jumper Set Assembly	
44042701 .....	23
44042801 .....	23

Jumper Strip	
M400869 .....	105
Jumper Wire	
44014501 .....	127
Jumper Wire Assembly	
M412287 .....	105
Junction Box Harness	
44136701P .....	121, 127

## K

Key	
M400008 .....	77, 87, 89
M400993 .....	91, 97
M401327 .....	87, 91, 93
M405232 .....	77
44132301 .....	97
70155601 .....	17, 59
70155602 .....	59
Key and Instruction Kit	
M400994P .....	97
Kickplate	
70117607 .....	67
70117608 .....	67

## L

Label	
44108201 .....	63
44190901 .....	63
70414001 .....	63
Latch Mounting Bracket	
44003201 .....	71
Light	
801431 .....	19
801432 .....	17
Limit Thermostat	
M409433 .....	101
M410542 .....	69, 105
M411813 .....	69
Lint Panel	
44000001*P .....	67
44000002P .....	67
44000003LG .....	67
44000004DG .....	67
44000005 .....	67
44000006 .....	67
44000007 .....	67
Lint Panel Switch Bracket	
44118601 .....	65
Lint Screen	
44063601 .....	69
Lint Screen Deflector	
44162201 .....	69
Loading Spring	
M400401 .....	91
Lock, Key and Nut Kit	
44089301P .....	17, 59
44089302P .....	59
Low Pressure Steam Cover	
M400828 .....	109
L.P. Conversion Kit	
M4544P3 .....	101

N/A items do not appear in index.

M4979P3.....	101
L.P. Gas Valve Kit	
M4897P3.....	101

Mounting Switch Base	
M412186 .....	131
M412187P .....	123, 125

## M

Main Harness	
44137401P.....	15
44187001 .....	15
Male Tab Terminal	
00177 .....	19, 21, 23, 117
Manifold	
44073601 .....	17
Manifold Pipe	
44040501 .....	101
Manifold Pipe Assembly	
M406681 .....	101
Manual Reset Thermostat	
M411938 .....	101
M411941 .....	69
Membrane Switch	
M414368P.....	27
44037901P.....	23
44039402P.....	23
510036P.....	29, 33
Micro V Belt	
M411425P .....	85, 87, 89
Micro V Pulley	
M411466P .....	85, 89, 93
Micro V Sheave	
M412156 .....	85, 87, 89
Mixing Valve	
36958P.....	17
Mixing Valve Shield Bracket	
44065701 .....	17
Moisture Sensor Harness Assembly	
70448901 .....	95
Moisture Sensor Test Wires	
70468901 .....	95
Motor	
44045701P.....	99
44045801P.....	99
44046101P.....	99
44048701P.....	99
Motor Bracket	
44117201 .....	83, 85, 87, 89, 97
Motor Contactor Harness	
44136401 .....	121, 127
44137001P.....	121, 127
44139901P.....	121, 127
44142601P.....	121, 127
Motor Hardware Kit	
M4426P3.....	97
Motor Kit	
M412519P.....	81
M412520P.....	81
Motor Mount Assembly	
M413617 .....	81
Motor Switch	
M414563 .....	81
Mounting Plate	
70208801 .....	33, 35, 43, 51

## N

Nameplate	
B12389801 .....	61
F8443102 .....	61
44010401 .....	61
44010601 .....	61
44046801 .....	61
44062901 .....	61
44129904 .....	61
70243901 .....	61
70509601 .....	61
70522001 .....	61
Nameplate Bezel	
70117401.....	61
Nameplate Overlay	
44104501 .....	61
44130301 .....	61
44144401 .....	73
44235401 .....	61
70380701 .....	61
70410201 .....	61
70411401.....	61, 73
Network Board	
210157P .....	47
Network Board Assembly	
201341 .....	45, 47
210016P .....	47
Network Board Bracket	
44143601 .....	47
Network Board Cover	
44143701 .....	47
Network Cable	
210165 .....	47
Network Capacitor Assembly	
M413863 .....	121, 127
Network Capacitor Harness Assembly	
44143401P .....	121
44152001 .....	127
Network Controller Kit	
NK220 .....	41, 43, 53
Network Harness	
44141801P .....	45
Network Retrofit Kit	
NK208 .....	41, 43, 53
Network Wire Harness Assembly	
44088501P .....	45
Nut	
F430232 .....	117
H88412101 .....	83, 85, 87, 89, 93
M400022 .....	97
M400026 .....	79, 83, 85, 87, 89
M400033 .....	85
M400034 .....	97
M400035 .....	85, 87, 89, 95
M400977 .....	59, 61
M401548 .....	101
M404993 .....	77
M412986 .....	81
M414215 .....	73
02428 .....	81, 83, 85, 89, 97

N/A items do not appear in index.

20274	83, 85, 89, 97, 115
21899	71
23951	67, 73
24205	19, 21
29786	19, 25, 29, 41
29787	23, 25
36020	109
44071201	73
44087201	85, 87, 89, 93
51236	67
56156	89, 93
70030401	71
70054	19, 21, 23, 27, 33, 35, 49, 53, 55, 105
70142	81

---

## O

Opto Coupler	
200674P	37
Output Bracket	
44223101	55
70440601	53
Output Harness	
44186101	53, 55
Overlay	
44130001	27
44130002	27
70115801	27
70128401	27
70128601	27
70128701	27
70129501	29
70129601	29
70130301	27
70130401	27
70130501	27
70130601	27
70130701	27
70135301	27
70257701	29
70257702	29
70257703	33, 35
70258001	29
70258002	29
70258003	33, 35
70259001	29, 33
70261001	29
70261002	29
70261003	33, 35
70261201	29
70261202	29
70266701	33
70266801	33
70275401	29
70286701	29
70321001	29
70362201	21
70362202	21
70362401	21
70362402	21
70362501	21
70362502	21
70362901	19
70363001	19
70410003	43
70432201	53
70445001	55

70445002	55
70445003	55
70445004	55
70453001	29
70453002	29
70453101	33, 35
70462401	55
70462402	55
70462701	55
70462702	55
70462901	55
70462902	55
70472201	55
70472202	55
70472401	55
70472402	55
70491901	29
70491902	29
70491903	33, 35
70493701	55
70493702	55
70494001	21
70494002	21
70499001	53
70504501	49
70504503	51
70504601	49
70504602	49
70504603	51
70504701	21
70504702	21
70504901	55
70504902	55
70505201	29
70505202	29
70505203	33, 35
70508601	55
70508602	55
70508701	29
70509701	33, 35
70510501	29
70510601	29
70510701	29
70510801	29
70510901	29
70511001	33, 35
70526001	55
70526002	55

---

## P

Panel Locator	
56079	59, 67
PC Board Standoff	
210098	47
Pipe Bracket	
44175801	117
Pipe Clamp	
44155201	101
Pipe Nipple	
431486	101
70210201	101
70263801	101
Pipe Tee	
44231901	101

N/A items do not appear in index.

Plug	
M400985 .....	117
Pop Rivet	
M400003 .....	59, 71
70058501 .....	71, 75, 117
70058502 .....	117
70126301 .....	67, 73
70126401 .....	67
Porcelain Touch-Up Paint	
122P4P .....	71
370P4P .....	71
Power Distribution Block Cover	
44014901P .....	129, 131
Power Harness	
44136201P .....	121
44136301P .....	121
44139801P .....	121, 127
44150901 .....	127
44151001 .....	127
44250001 .....	121
44266501 .....	121
Pressure Fitting	
44231601 .....	101
Proximity Bracket	
44044501 .....	111
Pulley	
M412884 .....	83
M414564 .....	97
M414565 .....	81
M414566 .....	97
M414567 .....	81
44233601 .....	81
Pushbutton Switch	
M413431 .....	123
70413301 .....	29, 33, 35, 41, 43, 49, 51, 59
Push-to-Start Switch	
801434W .....	17

## R

RC Filter Kit	
M4457P3 .....	27
Rear Access Plate	
44136101 .....	101
Rear Panel Assembly	
44170401P .....	71, 107, 115
Relay	
M412534 .....	27
Relay/Buzzer Bracket	
44041701 .....	23
Resilient Ring Kit	
M4525P3P .....	97
Reversing Belt Pulley Kit	
44294401 .....	85
Reversing Contactor Harness	
44139601P .....	121, 127
Reversing Contactor Jumper	
44139501 .....	121, 127
Reversing Contactor Jumper Assembly	
44136801 .....	121, 127
44136901 .....	121, 127
Reversing Contactor Jumper Harness	
44255001 .....	121

Reversing Contactor Jumper Wire	
44157401 .....	121, 127
Rib Rod	
M401411 .....	77
Rib Wire	
44208601 .....	95
Ring	
M400399 .....	87, 93
Rocker Switch	
44099601 .....	21
70455101 .....	19, 21
70461301 .....	21
Roller Bracket Assembly	
70404001 .....	67
Roller Catch Arm	
70030301 .....	67
Roller Catch Spacer	
70030201 .....	67
Roller Catch Wheel	
70297601 .....	67
Rotation Sensor	
F8066201 .....	111
Rotation Sensor Harness	
F8066401 .....	111
70476101 .....	111
Rotation Sensor Kit	
7009P .....	111

## S

Screw	
F430533 .....	85, 87
F430909 .....	117
F8206901 .....	117
M400043 .....	83, 85, 87, 89, 93
M400044 .....	75
M400056 .....	81, 89, 93
M400057 .....	81, 83, 85, 89, 97
M400061 .....	83, 85, 87, 89
M400063 .....	79
M400065 .....	93
M400077 .....	85, 89, 93, 97
M400661 .....	73
M402797 .....	101
M405188 .....	109, 113
M410059 .....	97
M411072 .....	59, 113, 123, 125, 129, 131
M412627 .....	83, 85, 87, 89, 93
M413565 .....	81
23008 .....	109
33562 .....	105
38272 .....	123
430497 .....	17, 45, 65, 69, 71, 97, 101, 105, 107, 123, 125, 129, 131
430648 .....	89, 93
430757 .....	67, 107
431287 .....	71
44337201 .....	95
501524 .....	19, 21, 29, 33, 35, 41, 43, 49, 51, 53, 55
51780 .....	17
51783 .....	123, 125, 129
61199 .....	73
70033502 .....	59, 75
70069901 .....	19, 21, 27, 53
70072801 .....	67

N/A items do not appear in index.

70132301	67
70182601	59
70187201	79, 91
70240301	101, 105
70247701	71
70275801	59
70409801	75
70442101	75
Sensor Harness Assembly	
44141701P	17
Shadow Box Clip	
M400972	59
Shaft Wire	
44208701	95
Sheave Kit	
44086901P	85, 87, 89, 93
Side Panel	
44056701*	71
Side Panel and Bracket Assembly	
44056701DG	71
44056701LG	71
44056801DG	71
44056801LG	71
44056801*	71
Single V Sheave	
M412931	83
Sleeve	
44050601	25
Slip Ring Assembly	
44222701	95
Slip Ring Holder	
44224401	95
Slot Card Plate Assembly	
44089501	35, 43, 51
Snap Bushing	
M400770	45, 65
M405340	117
M411826	65
44071501	117
70178701	17, 117
Solenoid Valve DIN Connector	
70370301P	109
Spacer	
M401402	77
44024001	83, 85, 89
Spark Electrode	
44253701P	101
Spray Paint	
298P4P	71
Spud Holder Assembly	
M410546	101
Standoff	
211/00119/00	25
Steam Coil	
M400637P	109
Steam Configuration Harness	
44142801	121
Steam Heater Assembly	
44020401P	109
Steam Pressure Label	
902303	109
Steam Solenoid	
70351011P	109
70351012	109

Steam Stand Box	
44007501	109
Steam Stove Limit Bypass Harness	
70389901	121
Steam Valve	
F8322902	109
F8322903	109
Steam Valve Rebuild Kit	
70351021P	109
Switch	
70411901	107
Switch Assembly	
70413401	65
Switch Bracket	
70356301	105, 107
Switch Hole Plug	
44057801B	59
44057801G	59
44057801Q	59
44057801W	59
Switch Plate	
M413236	21

## T

Temperature Control Bracket	
44018601	27
Temperature Knob	
44104601	19, 21
Temperature Selector Bracket	
70350201	19
Temperature Selector Switch	
511711	19, 21
Temperature Selector Switch Bracket	
70391701	21
Tension Plate Assembly	
M414405	83, 85, 87, 89, 93
Terminal Block	
M413865	129, 131
430642	123, 125, 129
Thermistor	
M414704	69
44064701	17
Thimble Vane Assembly	
M400503	113
Top Cover	
M414759	109
44139301	71
Top Cover Pan	
44135001P	71
Top Panel Bracket	
44129401	71
Top Rear Panel	
44170501	71
44176201	71
Transformer	
M414228P	123, 125, 129, 131
M414229P	123, 125, 129, 131
M414230P	123, 125
M414312P	123, 125
44074401	123, 125, 129, 131
Trunnion and Bearing Assembly	
M4640P3	79

N/A items do not appear in index.



M4641P3.....	79
44336301.....	79
Trunion Assembly	
M413833P.....	77
M413834P.....	77
44207901.....	77
44208001.....	77
Trunion Housing	
M413826.....	79
Trunion Housing Assembly	
M413832.....	79
Tumbler Dolly Kit	
M4379P4.....	59

Wireless Network Kit	
NK301.....	41, 43, 53

---

## U

USB Gateway Kit	
NK330.....	41, 43, 53
USB IR Interface Kit	
203346.....	41, 43, 49, 51, 53, 55

---

## V

Valve Coil	
F8514801.....	109
Valve Kit	
F8521701.....	109
Valve Rebuild Kit	
F8379502.....	109
Valve Replacement Kit	
M4908P3.....	101
M4909P3.....	101

---

## W

Warning Label	
M410892.....	63
Washer	
M400013.....	81, 83, 85, 89, 97
M400014.....	83, 85, 87, 89, 97, 115
M400015.....	77, 79
M400080.....	81, 83, 85, 87, 89, 93, 97, 115
M400991.....	97
M403958.....	83, 85, 87, 89, 93
M412188.....	83, 85, 87, 89, 93
02834.....	81
20103.....	79
44238902.....	95
70261401.....	79
70265901.....	89, 93
70270301.....	89, 93
70409301.....	73
Water Hose	
F200116.....	17
Wire Guard	
201595P.....	37
Wire Label	
70218701.....	117
70218801.....	117
70219001.....	117

N/A items do not appear in index.

